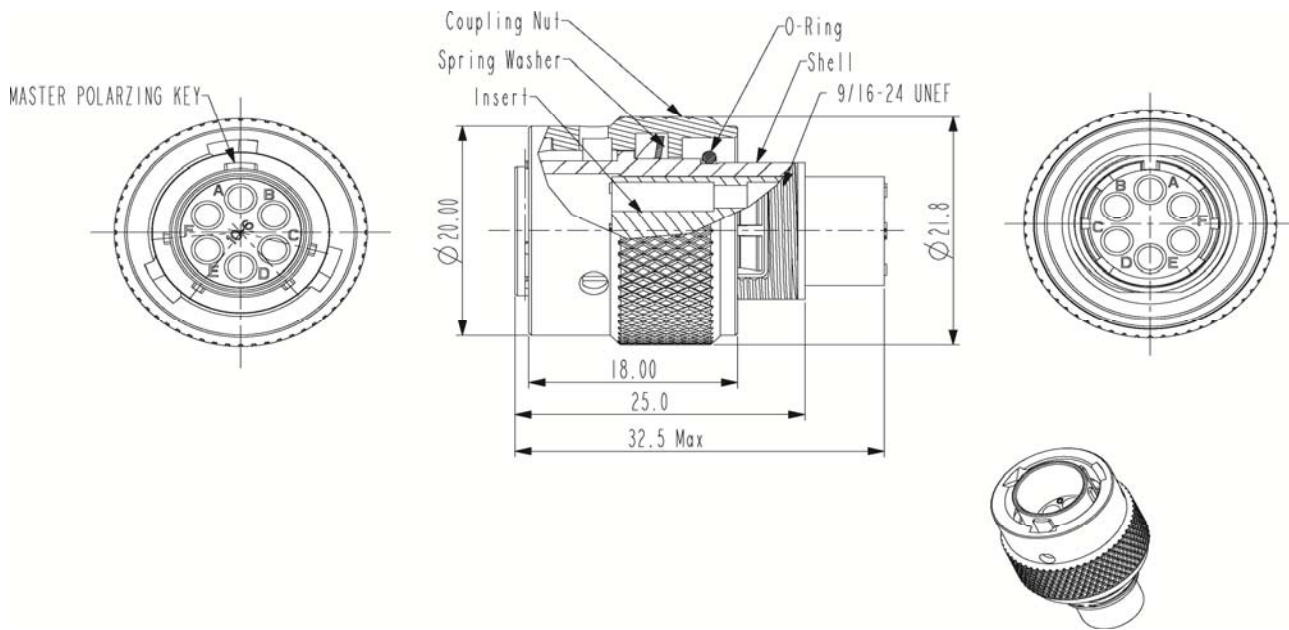


| CONFIGURATION | PART NUMBER |
|--|-------------|
| 20Awg, 6 Pin Plug, Male, Shell Size 10 | RTOW6106PNH |

DIMENSIONS



TECHNICAL DATA

| | |
|--------------------|--|
| TEMPERATURE RANGE: | -40°C to + 105°C |
| PROTECTION: | IP67 in mated condition and in combination with sealed backshell |
| VOLTAGE RATING: | 150V |
| HOUSING BODY: | Zinc Alloy, Nickel Plated |
| COUPLING NUT: | Aluminum, Nickel Plated |
| INSERT: | Glass-filled Thermoplastic UL94-V0 |
| SEAL: | NBR |
| CURRENT: | 5A with Stamped and Formed Contact / 7.5A with Machined Contact |
| CONTACT SIZE: | 20Awg |
| APPROVALS: | UL ECBT2 |