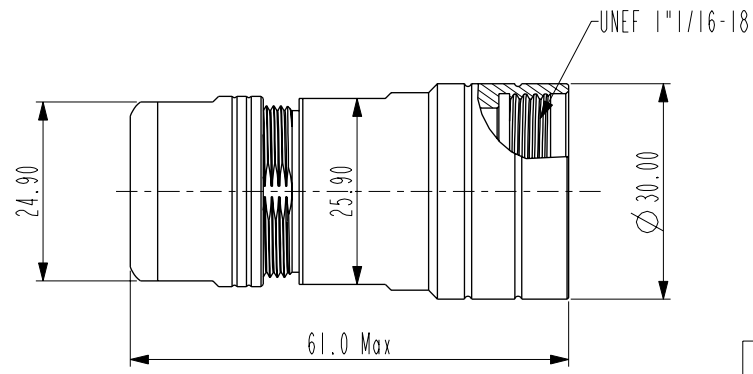
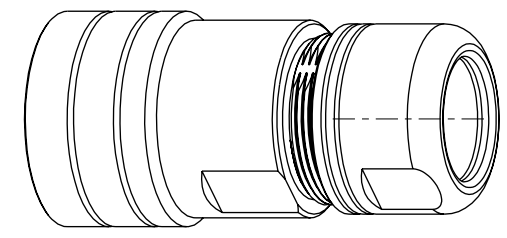
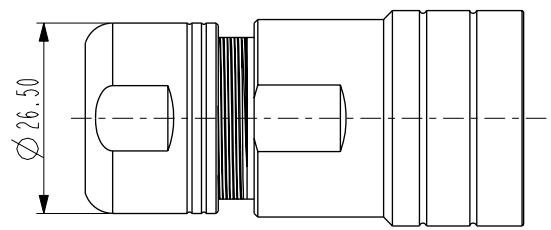
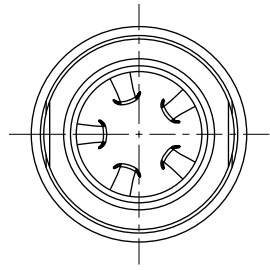
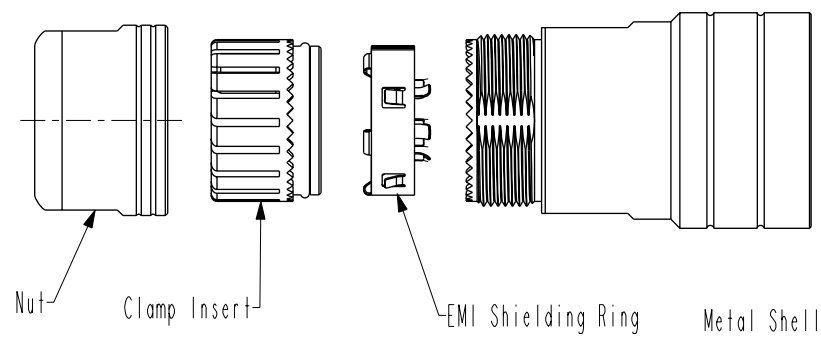


REVISIONS						
REV	ZONE	ECO	DESCRIPTION	DATE	BY	APPR
01	--	--	RELEASE NUMBER	10-Mar-10		



TECHNICAL SPECIFICATION	
Material:	
Operating Temperature	From -40°C to +125°C
Crimp Cable Range	See Notes



Notes:
 When ** = C1, Crimp Cable Range 9.0~14.5mm, No Shielding.
 When ** = C2, Crimp Cable Range 13.5~17mm, No Shielding.
 When ** = S1, Crimp Cable Range 9.0~14.5mm, With EMC Shielding Ring.
 When ** = S2, Crimp Cable Range 13.5~17mm, With EMC Shielding Ring.

MATERIALS LIST			
UNLESS OTHERWISE SPECIFIED 1) All dimensions are in metric(mm). 2) Tolerances are as follows: 1 PL DEC ±0.30 2 PL DEC ±0.15 3 PL DEC ±0.10 Fractions ±1/64 Angles ±1°		MATERIAL SPECIFICATIONS: PROCESS SPECIFICATIONS: Back Shell Cord Grip, Size 18	
签名 SIGNATURE 制图 DRAWN 审核 CHECKED 工艺 ENGINEER 批准 APPROVAL 客户 CUSTOMER		日期 DATE 10-Jan-10 15-Jan-10 15-Jan-10 CUSTOMER	
THIS DRAWING IS SUPPLIED FOR INFORMATION ONLY. DESIGN FEATURES, SPECIFICATIONS AND PERFORMANCE DATA SHOWN HEREON ARE THE PROPERTY OF THE AMPHENOL CORPORATION. NO RIGHTS OF REPRODUCTION ARE IMPLIED. ALL DIMENSIONS ARE SUBJECT TO NORMAL MANUFACTURING VARIATIONS.		SINE Systems Corporation A Subsidiary of Amphenol Corporation DWG NO: RTOL-18CG-** 第三角投影 THIRD ANGLE PROJECTION 文件编号 FSCM NO. 幅面 SIZE A4 质量 MASS 版次 REV. 01 比例 SCALE SHEET 1 OF 1 NEXT ASS'T:	