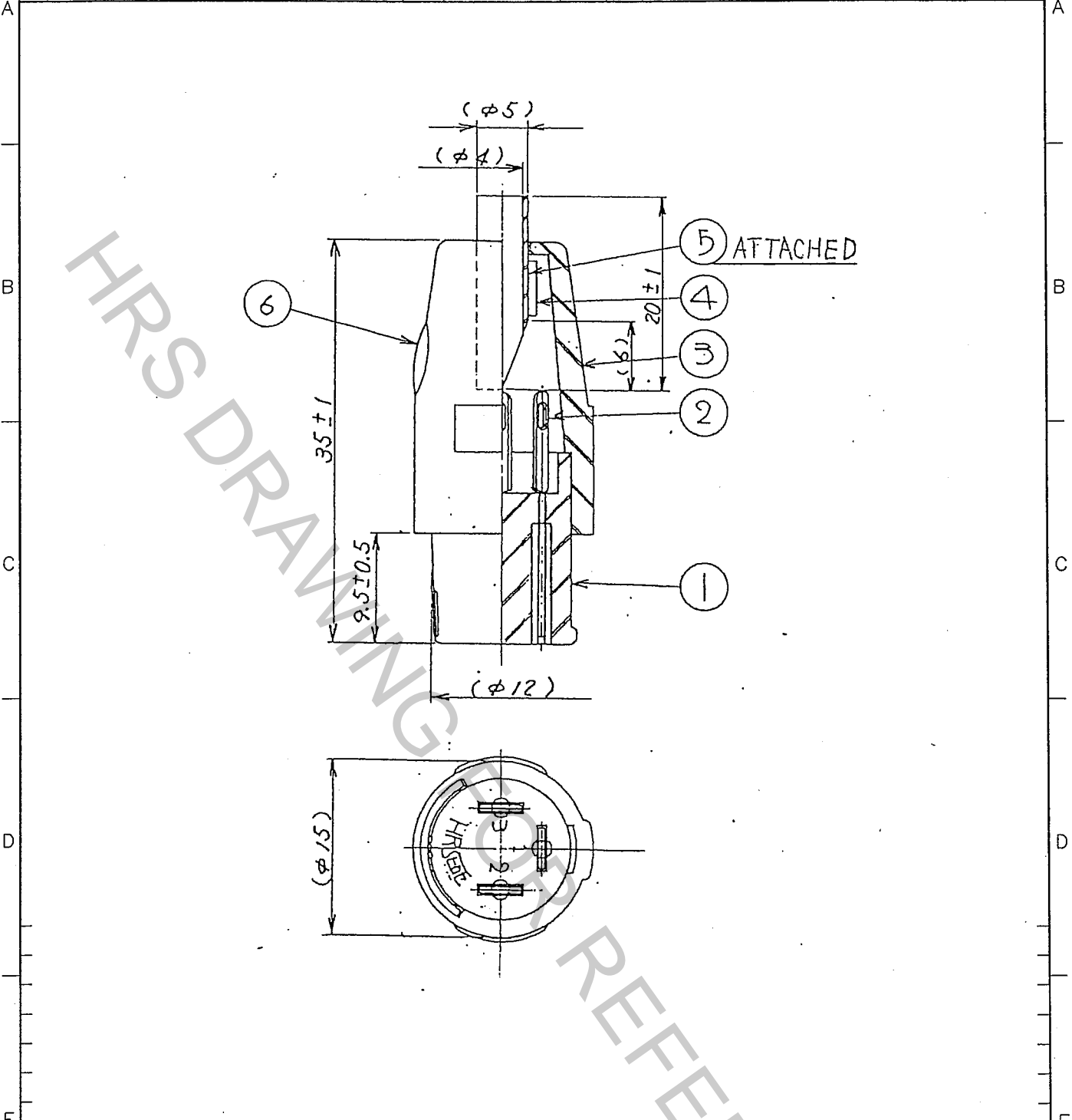


1	2			3			4		
COUNT	DESCRIPTION OF REVISIONS	BY	CHKD	DATE	COUNT	DESCRIPTION OF REVISIONS	BY	CHKD	DATE
△					△				
△					△				
△					△				



3	POLYAMIDE	(BLUE)	6	BRASS	NICKEL PLATING
2	PHOSPHO BRONZE	SILVER PLATING 4μm min.	5	POLYVINYLCHLORIDE	TRANSPARENCY
1	POLYAMIDE	(BLUE)	4	BRASS	NICKEL PLATING
NO.	MATERIAL	FINISH, REMARKS	NO.	MATERIAL	FINISH, REMARKS

CODE NO. (OLD)	DRAWN	DESIGNED	CHECKED	APPROVED	RELEASED
CL	E. Yumino 05.09.26	E. Yumino 05.09.26	H. Zemba 05.09.27	M. Sato 05.09.28	

 SACLE 2 : 1 UNITS mm	DRAWING NO. EDC4-006050-71	PART NO. RPC2-12P-3S (91)
	 HIROSE ELECTRIC CO., LTD.	CODE NO. CL113-0003-3-71

TO
R