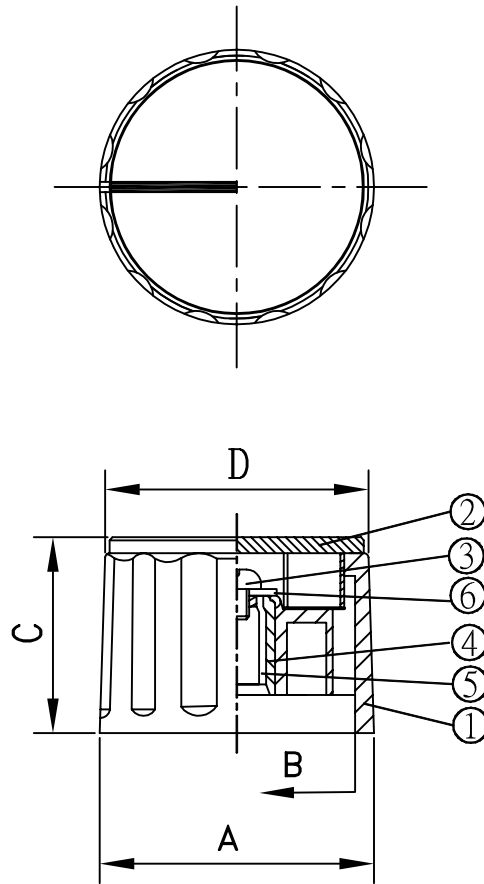


Date	Name	Descriptions	No
			△



	A	B	C	D	SHAFT	HOLE
RN-110C	∅36.5	∅30.0	20.5	∅33.0	∅6.4	∅6.1
RN-110D	∅28.5	∅23.0	19.5	∅25.0	∅6.4	∅6.1
RN-110E	∅21.3	∅16.0	18.8	∅18.5	∅6.4	∅6.1
RN-110F	∅15.3		18.0	∅12.8	∅6.4	∅6.1
RN-110G	∅10.0		15.0	∅8.1	∅3.2	

6	Washer	1	SPCC			
5	Spindle sleeve	1	BSBM			
4	Insert copper housing	1	Copper alloy			
3	Screw	1	S20C			
2	Top Cap	1	PA			
1	Housing	1	ABS			
No	Description	Q'ty	Material	Specification	Finish	Remark
Drawing	Check	Approval	SCI No.		Model Name	Control Knobs
Betty	李元生	李景煌	Customer No.		Model No.	RN-110
09/09/'06	09/19/'06	09/20/'06	Unit	mm	SHIN CHIN INDUSTRIAL CO., LTD.	