



RLT-CE

Containment edge for ELEROLL roller tracks

Technopolymer



Main specifications

Material

Polyamide based (PA) technopolymer, black colour.

General information

Features and applications

Realized to be used with RLT-U roller elements, RLT-CE containment edge needs for the lateral containment of light products handled on ELEROLL roller tracks (Fig.1).

For the containment of medium-heavy materials refer to the RLT-M series (Fig. 3).

The edge is snap-in assembled on RLT-AL aluminum profiles without the need for screws or other fasteners (Fig.2). It can also be mounted to the roller track already fixed.

*Trademark application

Fig.1

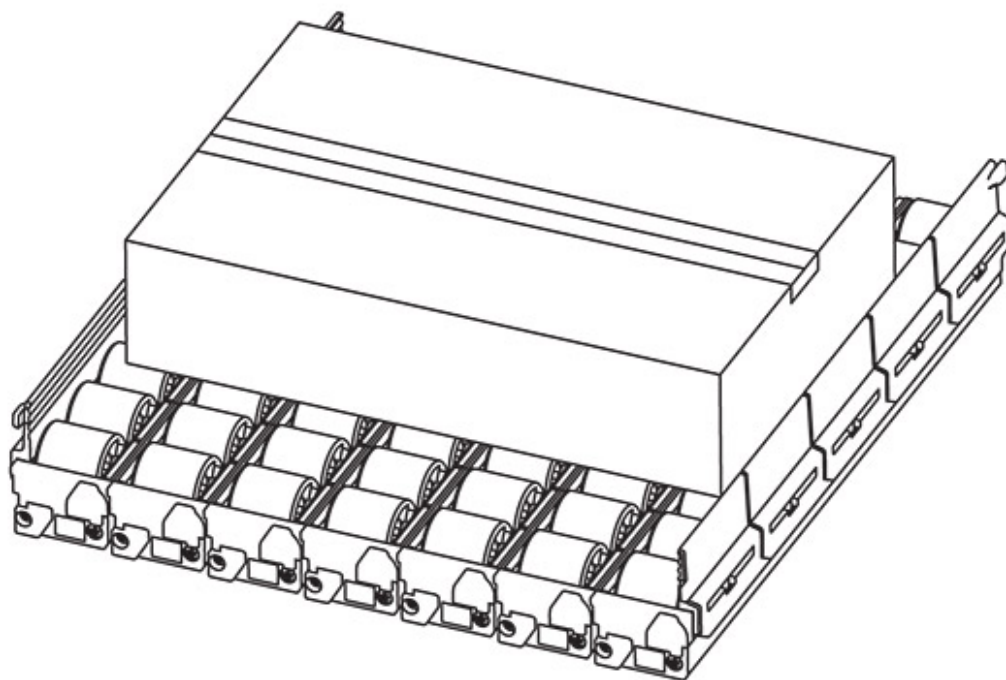
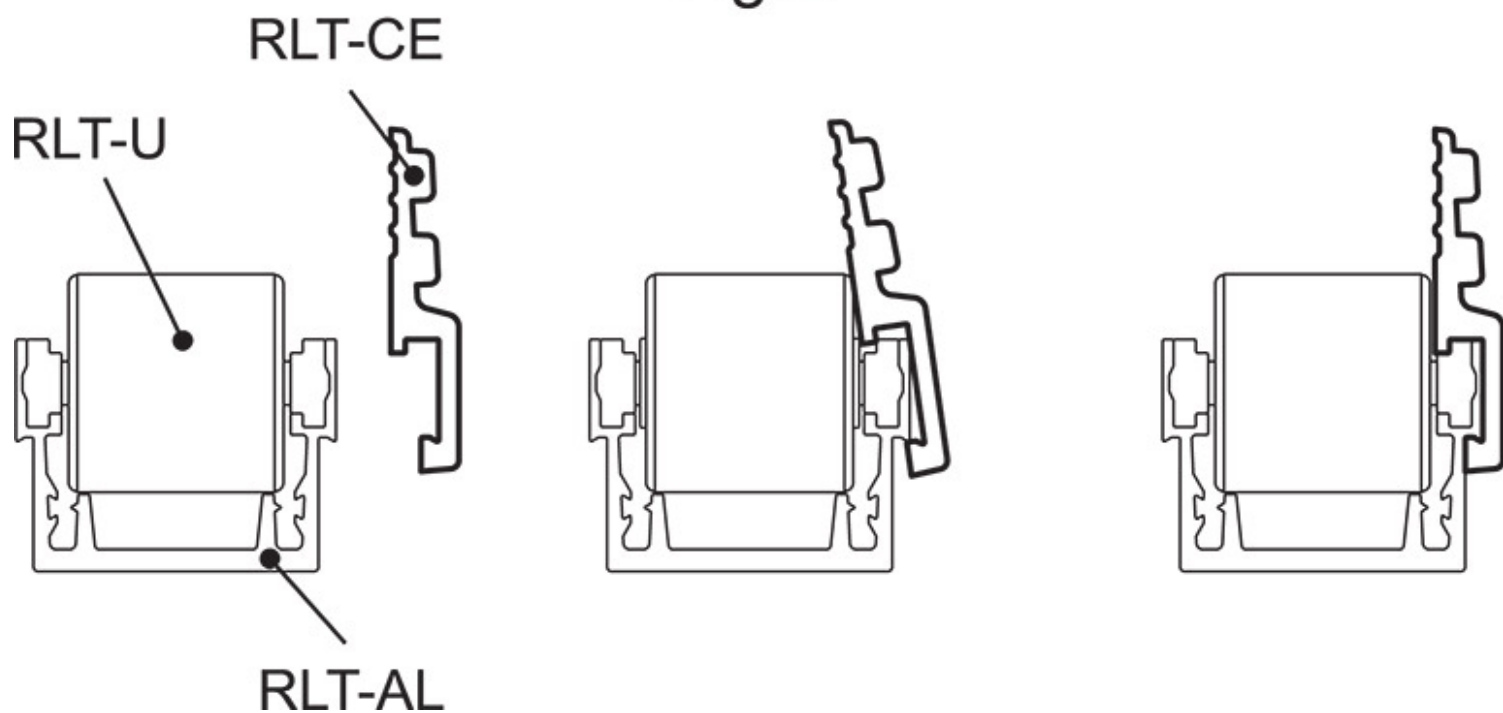
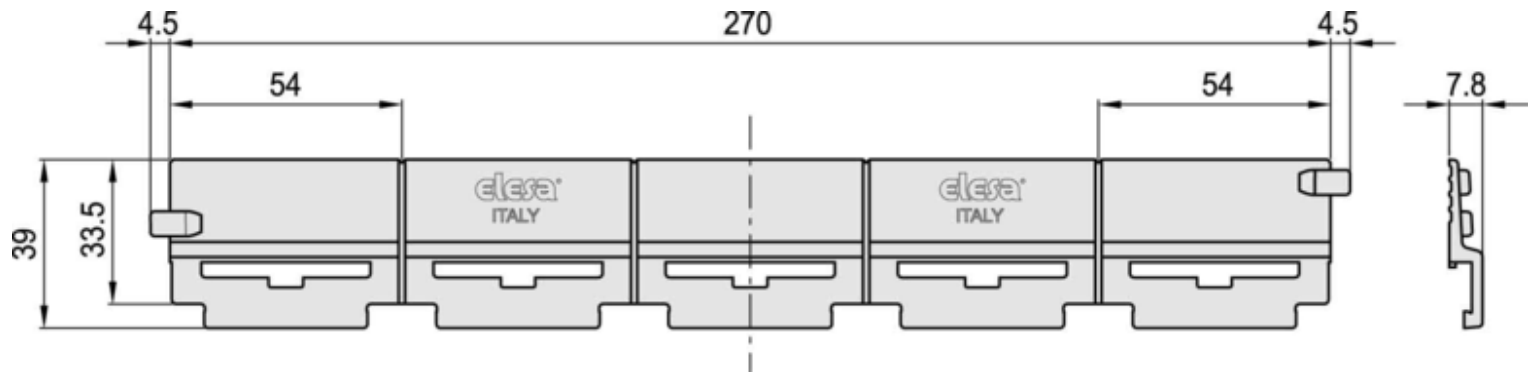


Fig.2





Code	Description	Weight
429826	RLT-CE	34