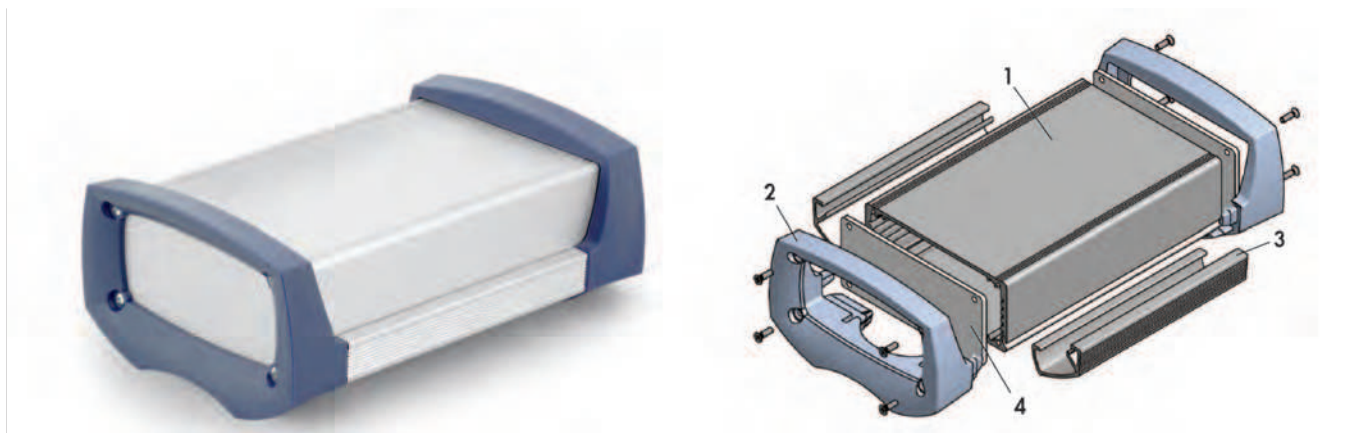


Design case „Rail“

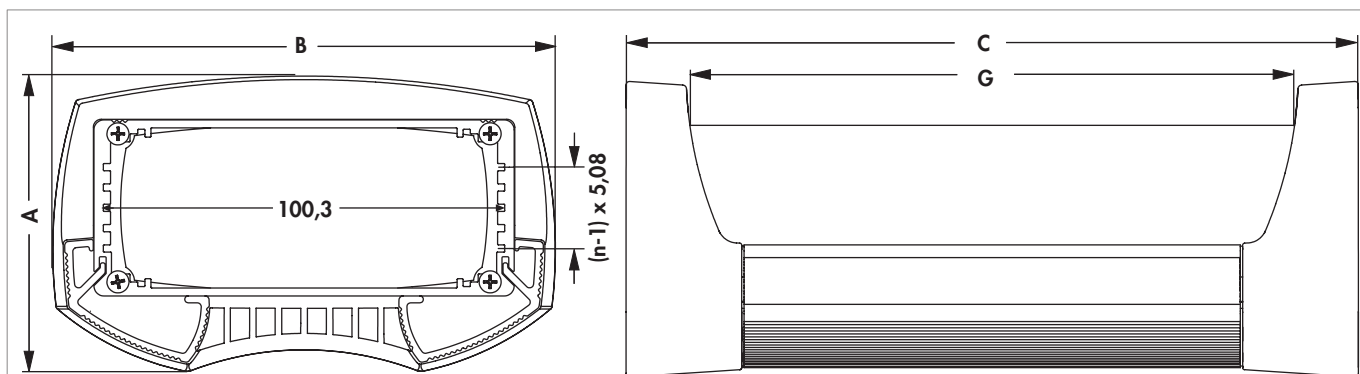


contents of delivery:

1 = 1 x basic profile; **2** = 2 x plastic frame (**RAL 5014** pigeon blue oder **RAL 9005** deep black);
3 = 2 x handle profile; **4** = 2 x cover plate (3 mm); mounting material

- ergonomic aluminium case, suitable for portable use or as a bench case
 - insertion possibility for 100 mm Eurocards with a grid spacing of 5.08 mm (1 HP)
 - EMC compatible design achieved by means of electrically conductive surface treatment and additional conductive seals **EDKO** → M 49
 - the special shape combined with convenient handling profiles enables safe handling, also for mobile applications
 - shock-proof plastic cover
 - integration possibility for front foils or foil keypads
 - protection class IP 65 achievable by use of seals **IDKO** → M 50
 - the cover plates can be perforated or imprinted according to your specifications
 - further colours and surface treatments upon request
 - combined with the seals **EDKO** → M 49 and **IDKO** → M 50 longer handle profiles are required
- Please indicate with your order!**

C = available internals lengths +23 mm



art. no.	dim. [mm]					art. no.	dim. [mm]				
	A	B	C	G	n		A	B	C	G	n
RL 05 100 ...	73.5	125	123	91	5	RL 17 100 ...	135.0	127	123	93	17
RL 05 120 ...	73.5	125	143	111	5	RL 17 120 ...	135.0	127	143	113	17
RL 05 160 ...	73.5	125	183	151	5	RL 17 160 ...	135.0	127	183	153	17
RL 05 200 ...	73.5	125	223	191	5	RL 17 200 ...	135.0	127	223	193	17
RL 05 220 ...	73.5	125	243	211	5	RL 17 220 ...	135.0	127	243	213	17

please indicate:

... colour of plastic cover

B = pigeon blue (RAL 5014)
S = deep black (RAL 9005)

... surface

SA = black anodised
ME = natural colour anodised
MS = case profile SA, cover panels ME
LP = exterior black lacquered, inside chrome-free transp. passivated

M 47

Euro case
 Combination cases
 Tube cases
 Cooling case

→ M 9
 → M 11 – 17
 → M 21 – 25
 → M 35 – 39

Miniature aluminium case
 Extruded assembled cases
 Desk consoles
 Shell cases

→ M 27 – 33
 → M 5 – 7
 → M 8
 → M 2 – 4