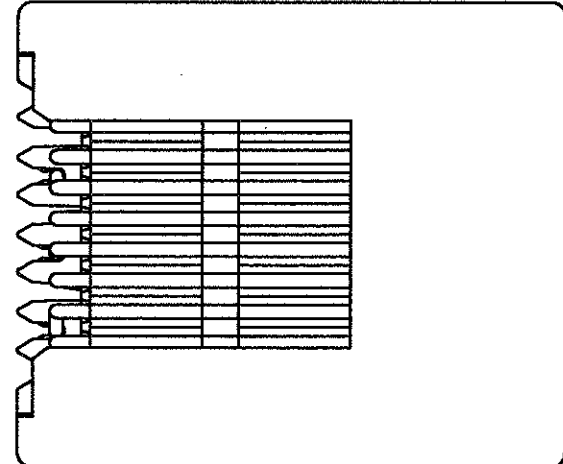
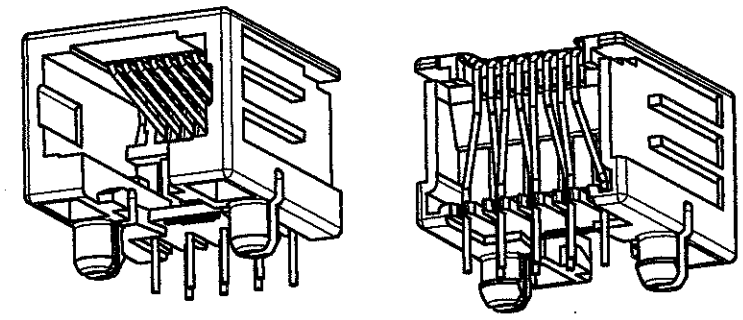


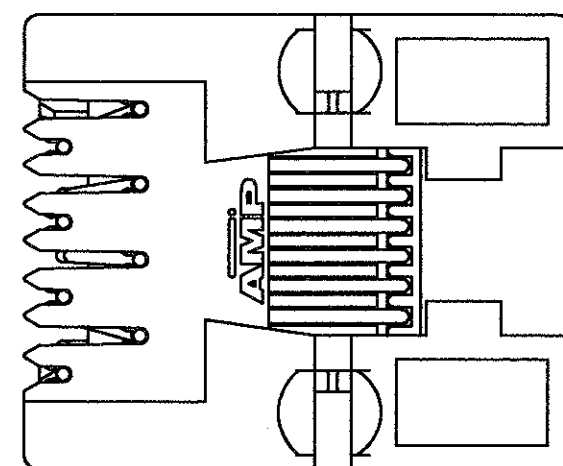
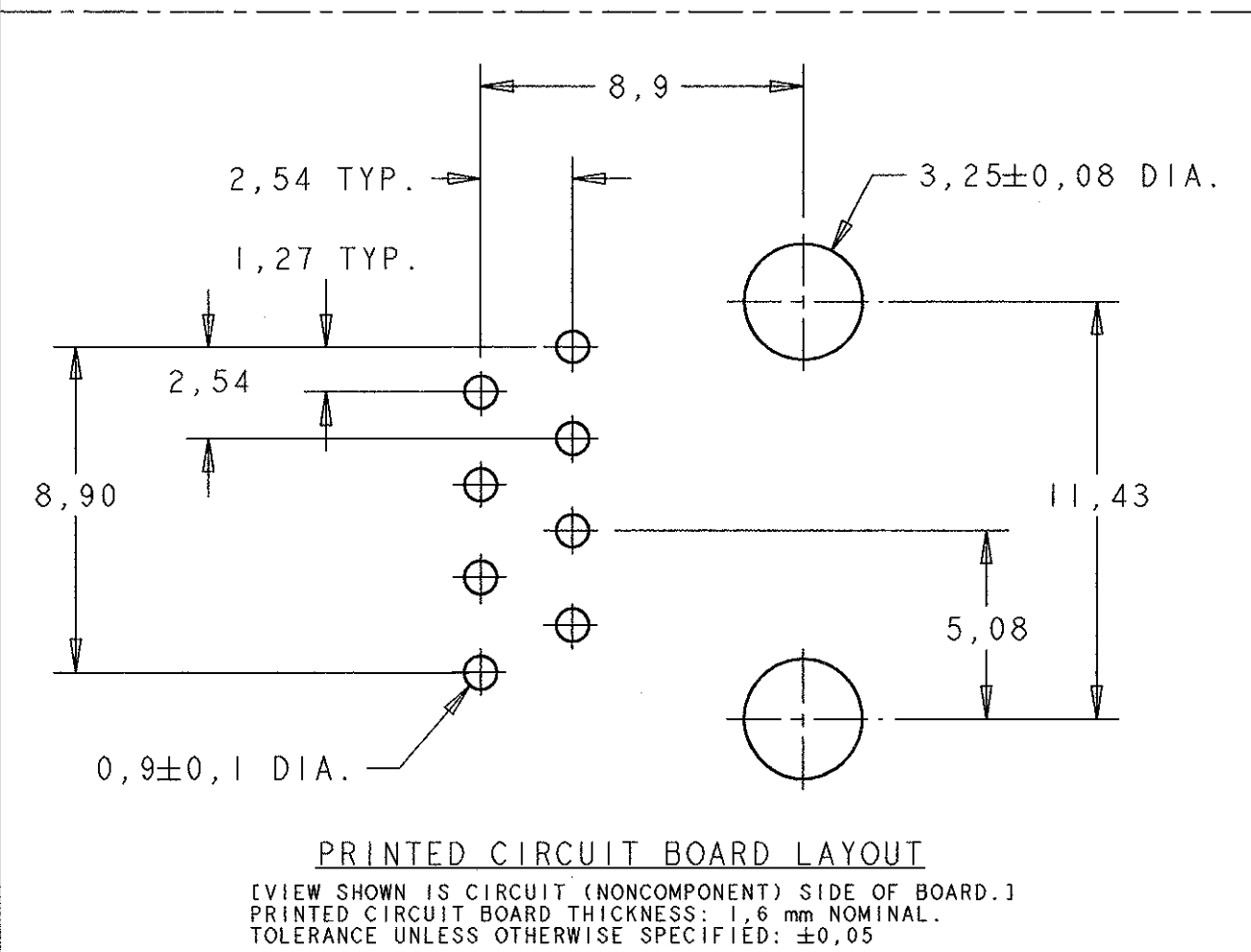
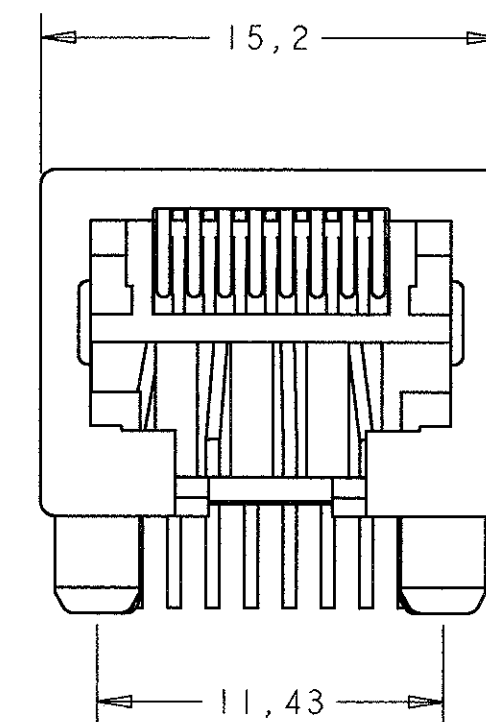
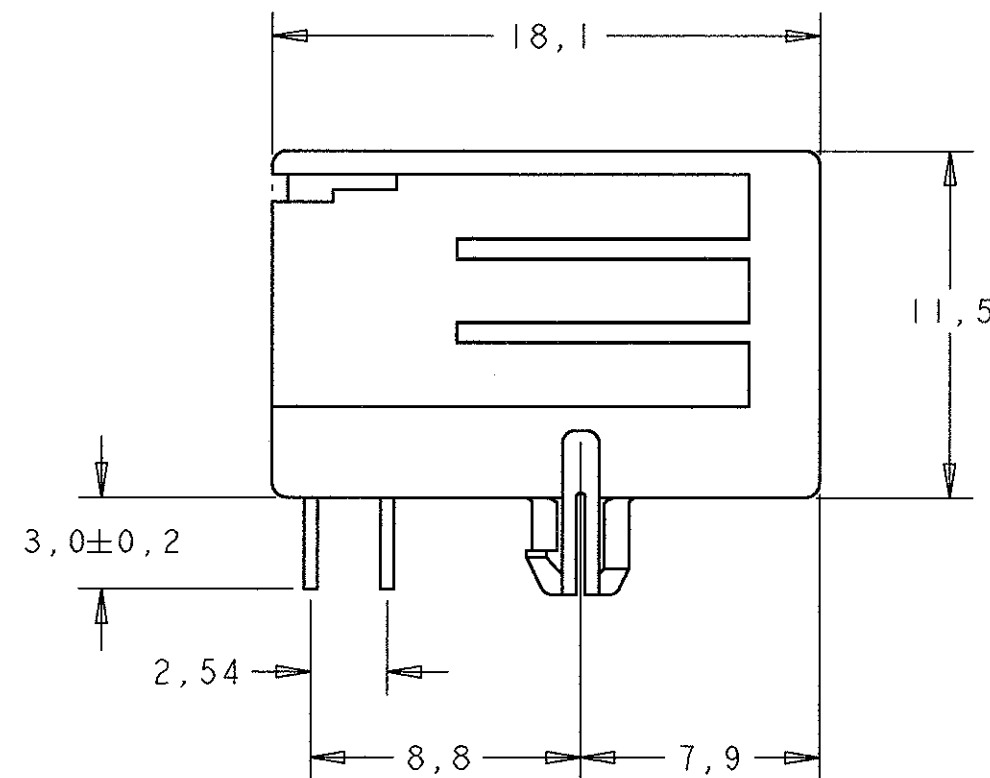
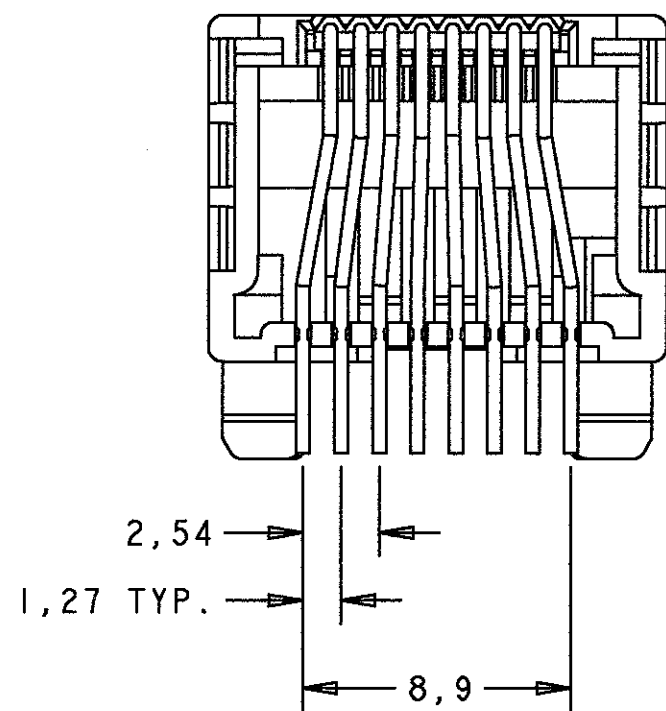
THIS DRAWING IS UNPUBLISHED. RELEASED FOR PUBLICATION DATE: -  
 BY AMP HOLLAND B.V. ALL RIGHTS RESERVED.

LOC	DIST	REVISIONS			
		LTR	DESCRIPTION	DATE	APVD
H	-	U	EH-0667-97	6 AUG 97	MvE
		V	EH-1044-97	14 OCT 97	MvE
		Y	EH-0966-98	29 JUN 98	MvE
		Z	EH-2155-98	11 DEC 98	MvE



NOTES:

- 1 TOLERANCE UNLESS OTHERWISE SPECIFIED:  $\pm 0,15$ .
- 2 FOR THIS PACKAGING METHOD THE TRUE POSITION OF THE SOLDER TINES IS NOT GUARANTEED.



PACKAGING	REMARKS	FINISH	MATERIAL	ORDER NUMBER
1000 PIECES BULK PACKAGED	8 POS. / 8 CONTACTS	IN CONTACT AREA: 1,2 $\mu$ m MIN. SEL. GOLD OVER 1,2 $\mu$ m MIN. NICKEL. SOLDER TINES: 2,5 $\mu$ m MIN. TIN-LEAD OVER 1,2 $\mu$ m MIN. NICKEL.	HOUSING COLOR: BLACK PBT, UL 94V-0 CONTACT INSERT: PBT, UL 94V-0 CONTACTS: PH BRONZE	2-215877-1
200 PIECES IN A TRAY				1-215877-3
90 PIECES IN MULTI-TUBE				1-215877-1
TAPE MOUNTED 700 PCS./REEL				215877-1

THIS DRAWING IS A CONTROLLED DOCUMENT FOR AMP HOLLAND B.V. IT IS SUBJECT TO CHANGE AND THE CONTROLLING ENGINEERING ORGANIZATION SHOULD BE CONTACTED FOR THE LATEST REVISION.		DWN <b>EvEJJK</b>	<b>AMP</b> 's-Hertogenbosch, The Netherlands		
DIMENSIONS: mm		CHK <b>M.VESSEN</b>			
TOLERANCES UNLESS OTHERWISE SPECIFIED:		APVD <b>R. SMEETS</b>	NAME <b>MODULAR JACK SIDE ENTRY, 8 POS., FOR PRINTED CIRCUIT BOARD.</b>		
0 PLC $\pm$ -		PRODUCT SPEC <b>108-19064</b>			
1 PLC $\pm$ -		APPLICATION SPEC <b>114-19019</b>	SIZE	CAGE CODE	DRAWING NO
2 PLC $\pm$ -			A2	00779	C-215877
3 PLC $\pm$ -			SCALE 4:1 SHEET 1 OF 1 REV Z		
4 PLC $\pm$ -					
ANGLES $\pm$ 0,2°					
FINISH		WEIGHT			