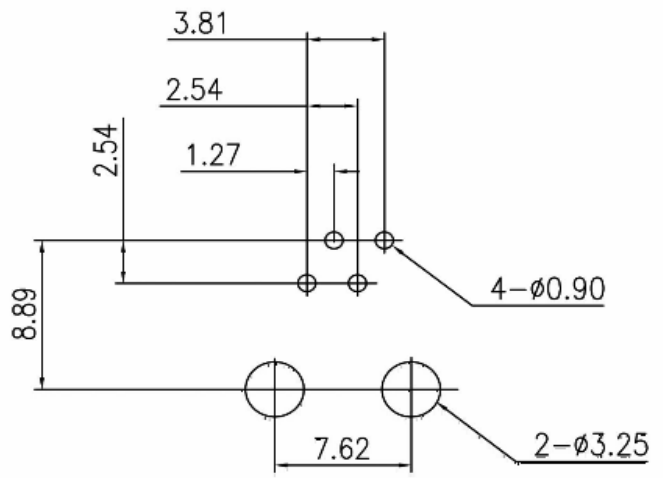


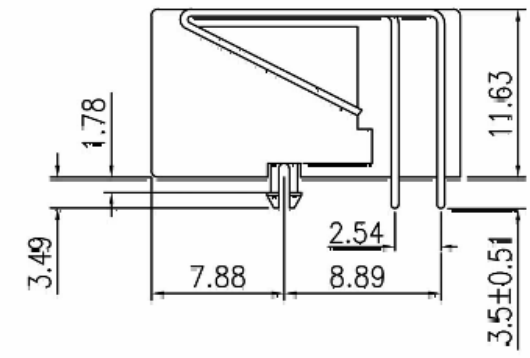
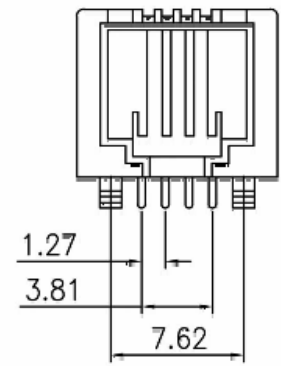
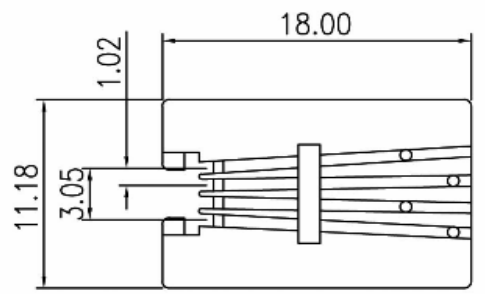
1 2 3 4 5 6 7 8

A
B
C
D
E
F
G
H

A
B
C
D
E
F
G
H



PCB Layout



Materials

Housing: Glass Filled Polyester UL94V-0,Black

Contact: 0.45mm Diameter Phosphor Bronze Gold Plating Over Nickel

ELECTRICAL:

1. Current Rating : 1.5 AMP
2. Voltage Rating : 150 VAC
3. Contact Resistance : 20 Milliohms MAX
4. Insulation Resistance : 500 Milliohms MIN
5. Dielectric Withstanding Voltage : 500 VAC, 1min

RoHS Compliant		TOLERANCE 容許公差 0 ±0.2MM .00 ± ANG ±	PART NAME 品名 SIDE ENTRY L/P PCB JACK 4P4C W/O SHIELD GOLD XU" PLATING BLACK COLOR ROHS
	SCALE 比例 參考	UNIT 單位 MM	SIZE 规格尺寸 A4
DATE 制表日 2015/01/08	PAGE 張數 1 / 1	REV. 版本 B	

1 2 3 4 5 6 7 8