

RRSN-2240-XX			
Ø'A'	Ø'B'	'L' LENGTH	PART No.
2.2 (0.087)	4 (0.158)	5 (0.197)	RRSN-2240-05
2.2 (0.087)	4 (0.158)	6 (0.236)	RRSN-2240-06
2.2 (0.087)	4 (0.158)	8 (0.315)	RRSN-2240-08
2.2 (0.087)	4 (0.158)	10 (0.394)	RRSN-2240-10
2.2 (0.087)	4 (0.158)	12 (0.473)	RRSN-2240-12
2.2 (0.087)	4 (0.158)	15 (0.591)	RRSN-2240-15
2.2 (0.087)	4 (0.158)	18 (0.709)	RRSN-2240-18
2.2 (0.087)	4 (0.158)	20 (0.788)	RRSN-2240-20

RRSN-3040-XX			
Ø'A'	Ø'B'	'L' LENGTH	PART No.
3.0 (0.118)	4 (0.158)	5 (0.197)	RRSN-3040-05
3.0 (0.118)	4 (0.158)	6 (0.236)	RRSN-3040-06
3.0 (0.118)	4 (0.158)	8 (0.315)	RRSN-3040-08
3.0 (0.118)	4 (0.158)	10 (0.394)	RRSN-3040-10
3.0 (0.118)	4 (0.158)	12 (0.473)	RRSN-3040-12
3.0 (0.118)	4 (0.158)	15 (0.591)	RRSN-3040-15
3.0 (0.118)	4 (0.158)	18 (0.709)	RRSN-3040-18
3.0 (0.118)	4 (0.158)	20 (0.788)	RRSN-3040-20

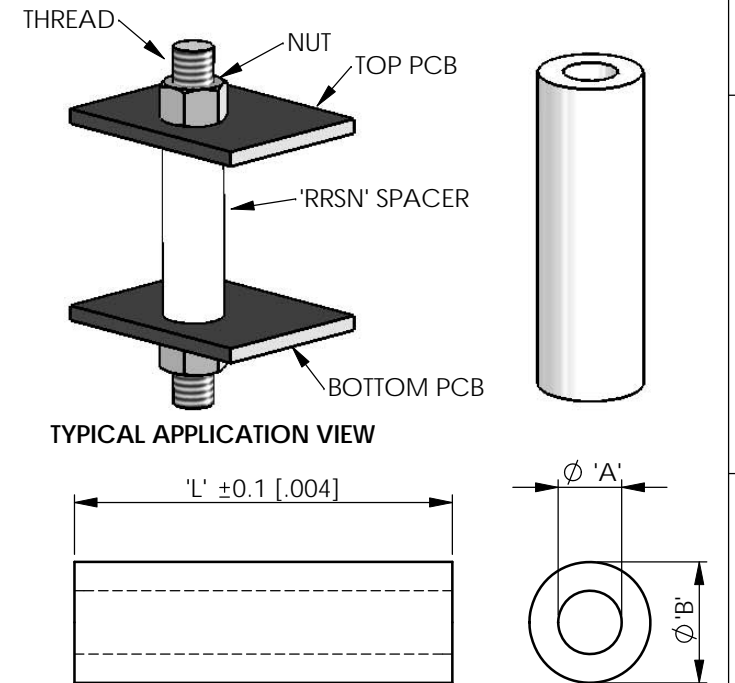
RRSN-2250-XX			
Ø'A'	Ø'B'	'L' LENGTH	PART No.
2.2 (0.087)	5 (0.197)	2 (0.079)	RRSN-2250-02
2.2 (0.087)	5 (0.197)	3 (0.119)	RRSN-2250-03
2.2 (0.087)	5 (0.197)	4 (0.158)	RRSN-2250-04
2.2 (0.087)	5 (0.197)	5 (0.197)	RRSN-2250-05
2.2 (0.087)	5 (0.197)	8 (0.315)	RRSN-2250-08
2.2 (0.087)	5 (0.197)	10 (0.394)	RRSN-2250-10
2.2 (0.087)	5 (0.197)	12 (0.473)	RRSN-2250-12
2.2 (0.087)	5 (0.197)	15 (0.591)	RRSN-2250-15
2.2 (0.087)	5 (0.197)	18 (0.709)	RRSN-2250-18
2.2 (0.087)	5 (0.197)	20 (0.788)	RRSN-2250-20
2.2 (0.087)	5 (0.197)	25 (0.985)	RRSN-2250-25
2.2 (0.087)	5 (0.197)	30 (1.182)	RRSN-2250-30

RRSN-3260-XX			
Ø'A'	Ø'B'	'L' LENGTH	PART No.
3.2 (0.126)	6 (0.236)	2 (0.079)	RRSN-3260-02
3.2 (0.126)	6 (0.236)	3 (0.119)	RRSN-3260-03
3.2 (0.126)	6 (0.236)	4 (0.158)	RRSN-3260-04
3.2 (0.126)	6 (0.236)	5 (0.197)	RRSN-3260-05
3.2 (0.126)	6 (0.236)	8 (0.315)	RRSN-3260-08
3.2 (0.126)	6 (0.236)	10 (0.394)	RRSN-3260-10
3.2 (0.126)	6 (0.236)	12 (0.473)	RRSN-3260-12
3.2 (0.126)	6 (0.236)	15 (0.591)	RRSN-3260-15
3.2 (0.126)	6 (0.236)	18 (0.709)	RRSN-3260-18
3.2 (0.126)	6 (0.236)	20 (0.788)	RRSN-3260-20
3.2 (0.126)	6 (0.236)	25 (0.985)	RRSN-3260-25
3.2 (0.126)	6 (0.236)	30 (1.182)	RRSN-3260-30
3.2 (0.126)	6 (0.236)	35 (1.377)	RRSN-3260-35
3.2 (0.126)	6 (0.236)	40 (1.575)	RRSN-3260-40

RRSN-2750-XX			
Ø'A'	Ø'B'	'L' LENGTH	PART No.
2.7 (0.106)	5 (0.197)	2 (0.079)	RRSN-2750-02
2.7 (0.106)	5 (0.197)	3 (0.119)	RRSN-2750-03
2.7 (0.106)	5 (0.197)	4 (0.158)	RRSN-2750-04
2.7 (0.106)	5 (0.197)	5 (0.197)	RRSN-2750-05
2.7 (0.106)	5 (0.197)	8 (0.315)	RRSN-2750-08
2.7 (0.106)	5 (0.197)	10 (0.394)	RRSN-2750-10
2.7 (0.106)	5 (0.197)	12 (0.473)	RRSN-2750-12
2.7 (0.106)	5 (0.197)	15 (0.591)	RRSN-2750-15
2.7 (0.106)	5 (0.197)	18 (0.709)	RRSN-2750-18
2.7 (0.106)	5 (0.197)	20 (0.788)	RRSN-2750-20
2.7 (0.106)	5 (0.197)	25 (0.985)	RRSN-2750-25
2.7 (0.106)	5 (0.197)	30 (1.182)	RRSN-2750-30

RRSN-3460-XX			
Ø'A'	Ø'B'	'L' LENGTH	PART No.
3.4 (0.134)	6 (0.236)	5 (0.197)	RRSN-3460-05
3.4 (0.134)	6 (0.236)	6 (0.236)	RRSN-3460-06
3.4 (0.134)	6 (0.236)	8 (0.315)	RRSN-3460-08
3.4 (0.134)	6 (0.236)	10 (0.394)	RRSN-3460-10
3.4 (0.134)	6 (0.236)	12 (0.473)	RRSN-3460-12
3.4 (0.134)	6 (0.236)	15 (0.591)	RRSN-3460-15
3.4 (0.134)	6 (0.236)	18 (0.709)	RRSN-3460-18
3.4 (0.134)	6 (0.236)	20 (0.788)	RRSN-3460-20

REV	MODIFICATION	DATE	DRN
04	ECN 04-217	09/12/04	NJB
05	ECN 07-218	06/12/07	NJB
06	CO2010276	07/07/08	TC
07	CO2010932	04/06/10	SF



INFORMATION CONTAINED IN THIS DOCUMENT IS CONFIDENTIAL TO RICHCO INTERNATIONAL Co. Ltd. AND MAY NOT BE DISCLOSED OR REPRODUCED IN WHOLE OR PART WITHOUT THEIR WRITTEN CONSENT.

RICHCO, INC. WWW.RICHCO-INC.COM		METRIC GENERAL TOLERANCES ± 0.25 ARE PRIMARY UNLESS OTHERWISE STATED 1 DECIMAL PLACE ± .25 2 DECIMAL PLACES ± .10 ANGULAR ± 1°	
MATERIAL: POLYSTYRENE (RMS-163)		IMPERIAL GENERAL TOLERANCES ± 0.10 ARE FOR REFERENCE UNLESS OTHERWISE STATED 1 DECIMAL PLACE ± .010 2 DECIMAL PLACES ± .004 ANGULAR ± 1°	
DESCRIPTION: ROUND SPACERS		COLOUR: WHITE	THIRD ANGLE
DRG No: 04-082		PART No: RRSN-XXXX-XX	
DRN NJB		DATE 30/07/04	SCALE NTS
CHKD RC		DATE 20/10/04	SHEET No. 1 OF 2

NOTES:
1) PRIMARY DIMS IN mm, SECONDARY DIMS IN [INCHES]
2) SEE SHEET 2 FOR RRSN-3548/4280/4570/52100/6290.
3) PARTS AVAILABLE IN BLACK(RMS-090). ADD "-GF" TO END OF PART NUMBER. EXAMPLE:" RRSN-3250-03-GF".

RRSN-3548-XX			
Ø 'A'	Ø 'B'	'L' LENGTH	PART No.
3.5 (0.138)	4.8 (0.189)	5 (0.197)	RRSN-3548-05
3.5 (0.138)	4.8 (0.189)	6 (0.236)	RRSN-3548-06
3.5 (0.138)	4.8 (0.189)	8 (0.315)	RRSN-3548-08
3.5 (0.138)	4.8 (0.189)	10 (0.394)	RRSN-3548-10
3.5 (0.138)	4.8 (0.189)	12 (0.473)	RRSN-3548-12
3.5 (0.138)	4.8 (0.189)	15 (0.591)	RRSN-3548-15

RRSN-52100-XX			
Ø 'A'	Ø 'B'	'L' LENGTH	PART No.
5.2 (0.205)	10 (0.394)	2 (0.079)	RRSN-52100-02
5.2 (0.205)	10 (0.394)	3 (0.119)	RRSN-52100-03
5.2 (0.205)	10 (0.394)	4 (0.158)	RRSN-52100-04
5.2 (0.205)	10 (0.394)	5 (0.197)	RRSN-52100-05
5.2 (0.205)	10 (0.394)	8 (0.315)	RRSN-52100-08
5.2 (0.205)	10 (0.394)	10 (0.394)	RRSN-52100-10
5.2 (0.205)	10 (0.394)	12 (0.473)	RRSN-52100-12
5.2 (0.205)	10 (0.394)	15 (0.591)	RRSN-52100-15
5.2 (0.205)	10 (0.394)	18 (0.709)	RRSN-52100-18
5.2 (0.205)	10 (0.394)	20 (0.788)	RRSN-52100-20
5.2 (0.205)	10 (0.394)	25 (0.985)	RRSN-52100-25
5.2 (0.205)	10 (0.394)	30 (1.182)	RRSN-52100-30
5.2 (0.205)	10 (0.394)	35 (1.377)	RRSN-52100-35
5.2 (0.205)	10 (0.394)	40 (1.575)	RRSN-52100-40

RRSN-4280-XX			
Ø 'A'	Ø 'B'	'L' LENGTH	PART No.
4.2 (0.166)	8 (0.315)	2 (0.079)	RRSN-4280-02
4.2 (0.166)	8 (0.315)	3 (0.119)	RRSN-4280-03
4.2 (0.166)	8 (0.315)	4 (0.158)	RRSN-4280-04
4.2 (0.166)	8 (0.315)	5 (0.197)	RRSN-4280-05
4.2 (0.166)	8 (0.315)	8 (0.315)	RRSN-4280-08
4.2 (0.166)	8 (0.315)	10 (0.394)	RRSN-4280-10
4.2 (0.166)	8 (0.315)	12 (0.473)	RRSN-4280-12
4.2 (0.166)	8 (0.315)	15 (0.591)	RRSN-4280-15
4.2 (0.166)	8 (0.315)	18 (0.709)	RRSN-4280-18
4.2 (0.166)	8 (0.315)	20 (0.788)	RRSN-4280-20
4.2 (0.166)	8 (0.315)	25 (0.985)	RRSN-4280-25
4.2 (0.166)	8 (0.315)	30 (1.182)	RRSN-4280-30
4.2 (0.166)	8 (0.315)	35 (1.377)	RRSN-4280-35
4.2 (0.166)	8 (0.315)	40 (1.575)	RRSN-4280-40

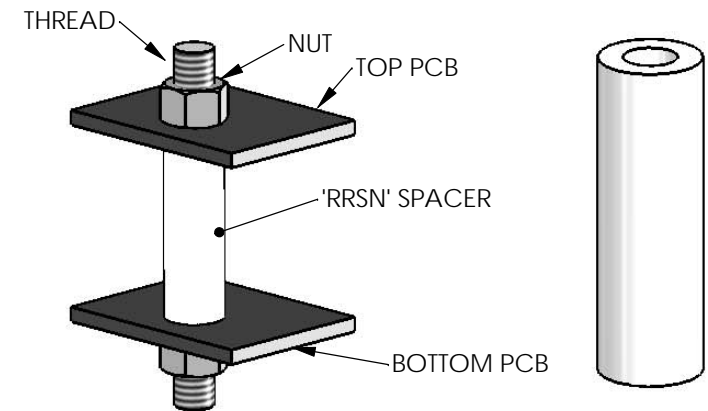
RRSN-6290-XX			
Ø 'A'	Ø 'B'	'L' LENGTH	PART No.
6.2 (0.244)	9 (0.354)	5 (0.197)	RRSN-6290-05
6.2 (0.244)	9 (0.354)	6 (0.236)	RRSN-6290-06
6.2 (0.244)	9 (0.354)	8 (0.315)	RRSN-6290-08
6.2 (0.244)	9 (0.354)	10 (0.394)	RRSN-6290-10
6.2 (0.244)	9 (0.354)	12 (0.473)	RRSN-6290-12
6.2 (0.244)	9 (0.354)	15 (0.591)	RRSN-6290-15
6.2 (0.244)	9 (0.354)	18 (0.709)	RRSN-6290-18
6.2 (0.244)	9 (0.354)	20 (0.788)	RRSN-6290-20

RRSN-4570-XX			
Ø 'A'	Ø 'B'	'L' LENGTH	PART No.
4.5 (0.177)	7 (0.276)	5 (0.197)	RRSN-4570-05
4.5 (0.177)	7 (0.276)	6 (0.236)	RRSN-4570-06
4.5 (0.177)	7 (0.276)	8 (0.315)	RRSN-4570-08
4.5 (0.177)	7 (0.276)	10 (0.394)	RRSN-4570-10
4.5 (0.177)	7 (0.276)	12 (0.473)	RRSN-4570-12
4.5 (0.177)	7 (0.276)	15 (0.591)	RRSN-4570-15
4.5 (0.177)	7 (0.276)	18 (0.709)	RRSN-4570-18
4.5 (0.177)	7 (0.276)	20 (0.788)	RRSN-4570-20

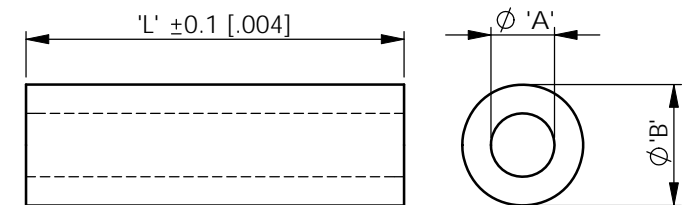
AVAILABLE BY SPECIAL ORDER-NAFTA REGION ONLY

NOTES:
 1) PRIMARY DIMS IN mm, SECONDARY DIMS IN [INCHES]
 2) SEE SHEET 1 FOR RRSN-2240/2250/2750/3040/3260/3460
 3) PARTS AVAILABLE IN BLACK(RMS-090). ADD "-GF" TO END OF PART NUMBER. EXAMPLE:" RRSN-3250-03-GF".

REV	MODIFICATION	DATE	DRN
04	ECN 04-217	09/12/04	NJB
05	ECN 07-218	06/12/07	NJB
06	CO2010276	07/07/08	TC
07	CO2010932	04/06/10	SF



TYPICAL APPLICATION VIEW



INFORMATION CONTAINED IN THIS DOCUMENT IS CONFIDENTIAL TO RICHCO INTERNATIONAL Co. Ltd. AND MAY NOT BE DISCLOSED OR REPRODUCED IN WHOLE OR PART WITHOUT THEIR WRITTEN CONSENT.

RICHCO, INC.
 WWW.RICHCO-INC.COM

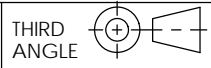
METRIC GENERAL TOLERANCES ±0.25
 ARE PRIMARY UNLESS OTHERWISE STATED
 1 DECIMAL PLACE ± 0.25
 2 DECIMAL PLACES ± 0.1
 ANGULAR ±1°

MATERIAL:
 POLYSTYRENE (RMS-163)

IMPERIAL GENERAL TOLERANCES ±0.010
 ARE FOR REFERENCE UNLESS OTHERWISE STATED
 1 DECIMAL PLACE ± .010
 2 DECIMAL PLACES ± .004
 ANGULAR ±1°

DESCRIPTION:
 ROUND SPACERS

COLOUR:
 WHITE



DRG No:
 04-082

PART No:
 RRSN-XXXX-XX

SHEET SIZE
 A4

DRN
 NJB

DATE
 30/07/04

CHKD
 RC

DATE
 20/10/04

SCALE
 NTS

SHEET No.
 2 OF 2