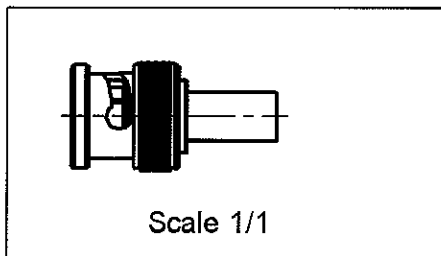
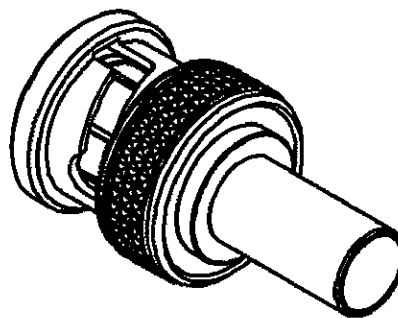
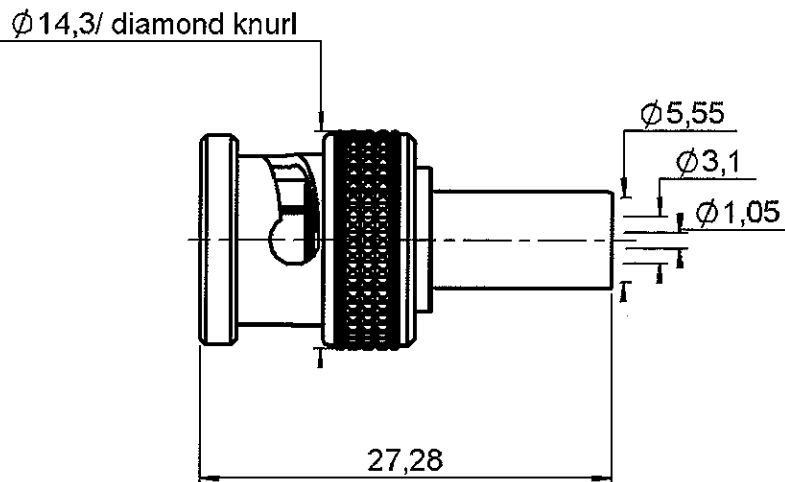


STRAIGHT PLUG CRIMP TYPE

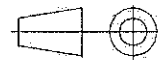
R141.082.000

CABLE 5/50 S

Series : BNC



All dimensions are in mm.



| COMPONENTS | MATERIALS | PLATING (μm) |
|----------------|-----------------|---------------------------|
| BODY | BRASS | NICKEL 2 |
| CENTER CONTACT | BRASS | GOLD 0.5 OVER NICKEL 2 |
| OUTER CONTACT | - | - |
| INSULATOR | PTFE | - |
| GASKET | SILICONE RUBBER | - |
| OTHERS PARTS | BRASS | NICKEL 2 |
| - | - | - |
| - | - | - |

Issue : 0619 D

In the effort to improve our products, we reserve the right to make changes judged to be necessary.



RADIALL®

STRAIGHT PLUG CRIMP TYPE

R141.082.000

CABLE 5/50 S

Series : BNC

PACKAGING

| Standard | Unit | Other |
|----------|------------|------------|
| 100 | 'W' option | Contact us |

SPECIFICATION

ELECTRICAL CHARACTERISTICS

CABLE ASSEMBLY

| | | |
|---------------------------------|---------------------|--------------------------|
| Impedance | 50 | Ω |
| Frequency | 0-4 | GHz |
| VSWR | 1.3 + 0,0000 | x F(GHz) Maxi |
| Insertion loss | 0.115 | \sqrt{F} (GHz) dB Maxi |
| RF leakage | - (57 | - F(GHz)) dB Maxi |
| Voltage rating | 500 | Veff Maxi |
| Dielectric withstanding voltage | 1500 | Veff mini |
| Insulation resistance | 5000 | M Ω mini |

| Stripping | a | b | c | d | e | f |
|-----------|------|------|------|------|------|------|
| mm | 4,00 | 8,50 | 15,0 | 0,00 | 11,0 | 0,00 |

Assembly instruction : **Crimp 02**

Recommended cable(s)
 RG 58
 RG 141
 KX 15
 ECO 142

Characteristics indicated on this data sheet are those that can be achieved with the highest performance cable. Intrinsic limitations of the cable may diminish the performance of the assembly

Cable retention

- pull off **90** N mini
 - torque **NA** N.cm

MECHANICAL CHARACTERISTICS

TOOLING

Center contact retention
 Axial force – Mating end **27** N mini
 Axial force – Opposite end **27** N mini
 Torque **NA** N.cm mini

| Part Number | Description | Hexagon |
|--------------|---------------|-----------|
| . | . | . |
| R282.293.000 | CRIMPING TOOL | - |
| R282.223.000 | CRIMPING TOOL | 1.73-5.41 |
| R282.235.011 | CRIMPING DIES | 1.73-5.41 |

Recommended torque
 Mating **NA** N.cm
 Panel nut **NA** N.cm
 Clamp nut **NA** N.cm
 A/F clamp nut **0,0000** mm

Mating life **500** Cycles mini
 Weight **9,0000** g

OTHER CHARACTERISTICS

ENVIRONMENTAL

Operating temperature **-65/+165** °C
 Hermetic seal **NA** Atm.cm3/s
 Panel leakage **NA**

Issue : 0619 D

In the effort to improve our products, we reserve the right to make changes judged to be necessary.



RADIALL®