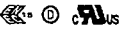
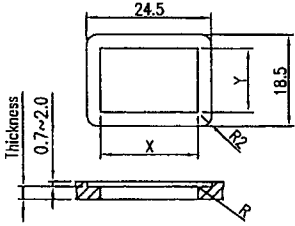
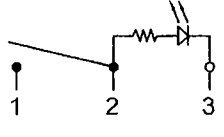
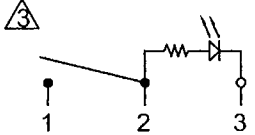
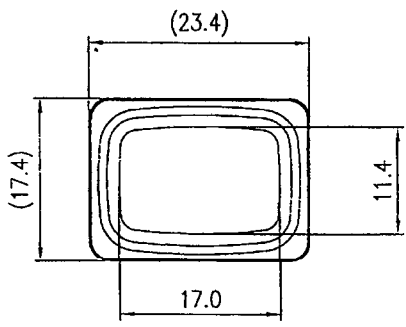
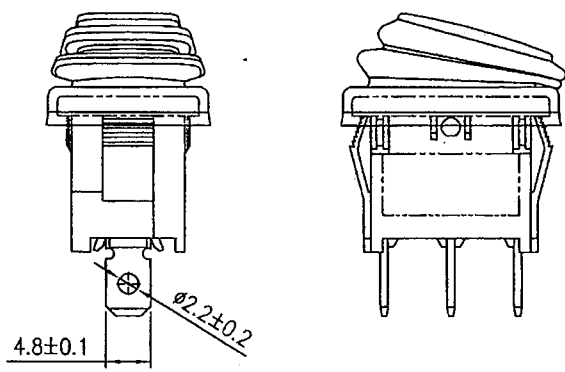
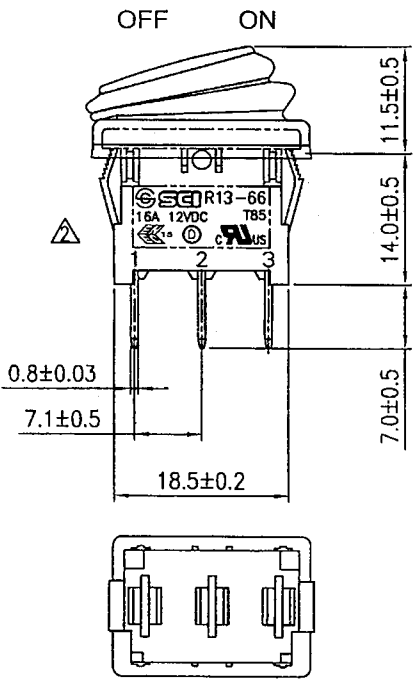


Rating	16A 12VDC 		Circuit Diagram								
Contact Resistance	50m ohm Max.										
Insulation Resistance	DC 500V 100M ohm Min.										
Dielectric Strength	AC 1500V 1 minute										
Operation Temperature	-25°C~85°C										
Switch Function	3P SPST ON-OFF (LED dependent)		<table border="1"> <tr> <th>Thickness</th> <th>X</th> <th>Y</th> </tr> <tr> <td>0.75...1.5</td> <td>19.4-0.1</td> <td>13+0.1</td> </tr> <tr> <td>1.5...2.5</td> <td>19.8-0.1</td> <td>13+0.1</td> </tr> </table>	Thickness	X	Y	0.75...1.5	19.4-0.1	13+0.1	1.5...2.5	19.8-0.1
Thickness	X	Y									
0.75...1.5	19.4-0.1	13+0.1									
1.5...2.5	19.8-0.1	13+0.1									



Material:
 Frame: Black, Nylon 66
 Actuator: Green clear, PC
 Hot stamping: None
 Waterproof: IP65
 LED: Green



Tolerances ±0.3 Unless Otherwise Specified

05/09/19	曾敏捷	依上級領導指示,電阻連接LED由負極改為正極		⚠
5/7/16	周傑輝	DC 幾種使用DC本體更新刻字		⚠
10/02/09	曹盈芳	更正本體Rating刻字		⚠
Date	Name	Description		NO
Drawn	Checked	Approved	SCI BOM No. 1823920	Model Name ROCKER SWITCH
曾敏捷			Customer No.	Model No. R13-66B8-02
05/09/19			Unit mm	Rev. 3
 Shin Chin Industrial Co., Ltd.				