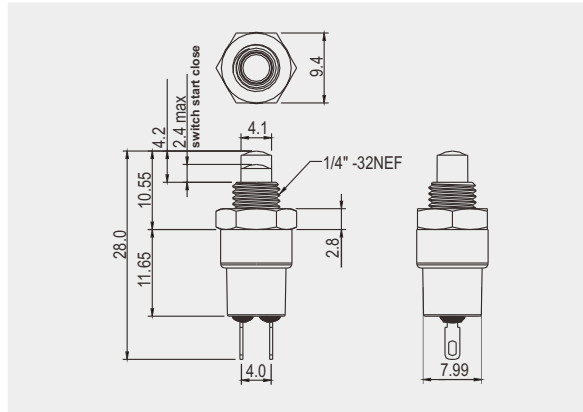


R13 PUSH SWITCH

Auto power cables and accessories

R13-564A

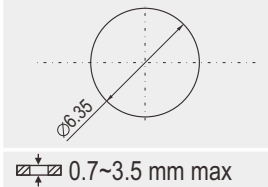
NEW



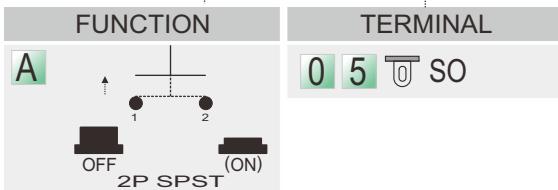
0.5mA 12V DC 1mA 30V DC
Contact resistance
50mΩ Max(Au plated contacts)
Insulation resistance
DC 500V 100MΩ Min
Dielectric strength
AC 1000V 1 minute
Cut-out

FEATURES

- * MATERIAL: Frame is sn plated brass. Plunger are nylon(UL flame: 94V-2). Terminals are au plated brass.
- * Mounted by screws.

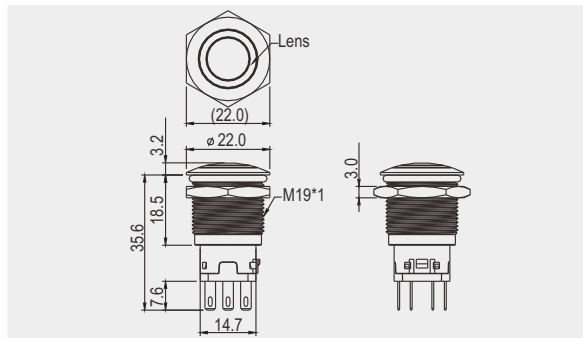


R13-564A



* () =momentary

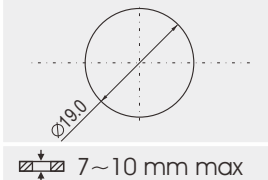
R13-565



Rating
6A 125V AC, 3A 250V AC 10A 14V DC, 5A 28V DC
Contact resistance
50mΩ Max
Insulation resistance
DC 500V 100MΩ Min
Dielectric strength
AC 500V 1 minute
Cut out

FEATURES

- * MATERIAL: Housing is nylon (UL flame: 94V-2). Bottom are PBT. Lens are PC.
- * Mounted by screws.
- * LED independent.



R13-565

