



HT HI TECH POLYMERS OY

MULTIGROMMETS





HTC-0



IP65, FL21, CE

HTC-3



IP65, FL21, CE

HTC-16



IP54/30, FL21, CE

HTC-17



IP55, FL21, CE

HTC-25



IP65, FL21, CE

HTC-35



IP65, FL21, CE

HTC-50



IP65, FL21, CE

HTPC-16



IP30/IP34, FL21, CE

HTKC-25



IP65, FL21, CE

HTKC-28



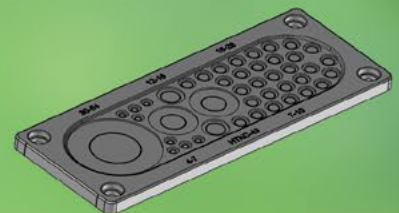
IP65, FL21, CE

HTKC-36



IP65, FL21, CE

HTKC-43-B



COMING SOON

HTKC-43



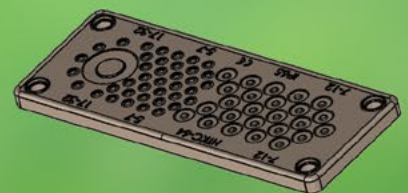
IP65, FL21, CE

HTKC-50



COMING SOON

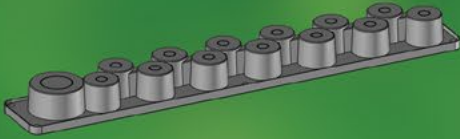
HTKC-65



IP65, FL21, CE



HTP-14



COMING SOON!

HTP-15



IP65, FL21, CE

HTP-18



IP65, FL21, CE

HTP-31



IP65, FL21, CE

RIT-50



IP65, SZ 2561.000, CE

RIT-114



IP65, CE

KUPO M



IP65, 70,5x61 mm, CE

KUPO G



IP65, 80x57 mm, CE

KUPO L



IP65, 125x110 mm, CE

HIK-1



IP65, FL21, CE

HIK-2



IP65, FL21, CE

HIK-FL 13-3



IP67, FL13, CE

JTLC-1 10 mm



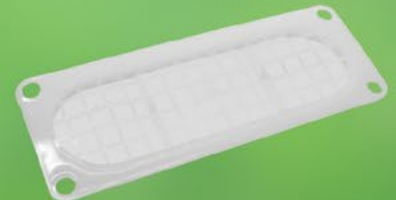
IP20, FL21, CE

JTLC-1B 5 mm



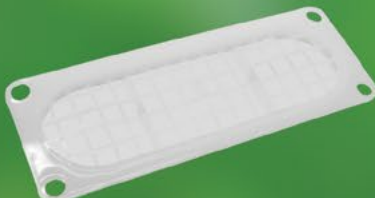
IP20, FL21, CE

JTLC-1-U



IP20, FL21, CE

JTLC-1B-U



IP20, FL21, CE

HTX-1



IP65, HOLE Ø86, CE

HTX-23



IP55, 216x126, CE

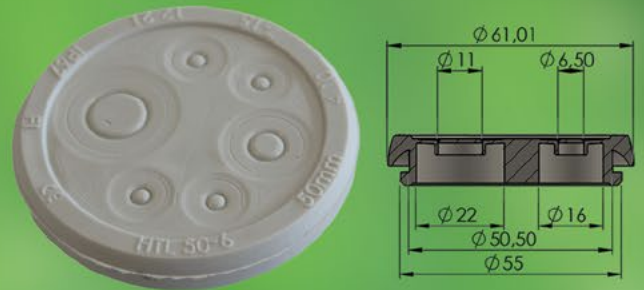


HTL GROMMETS

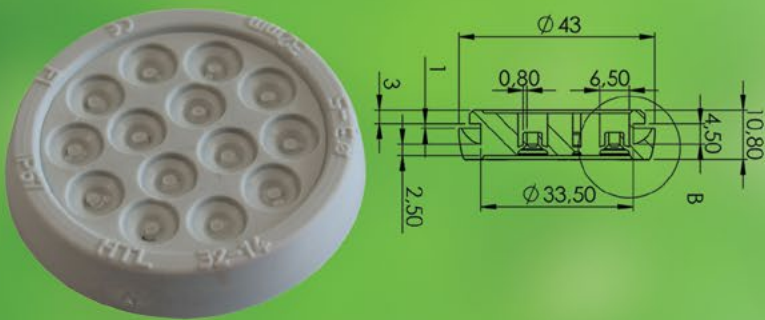
HTL-28-6



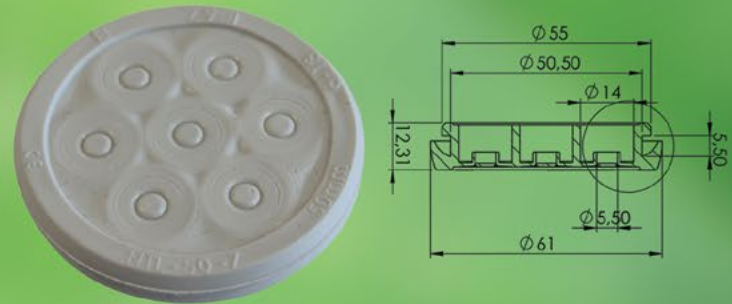
HTL-50-6



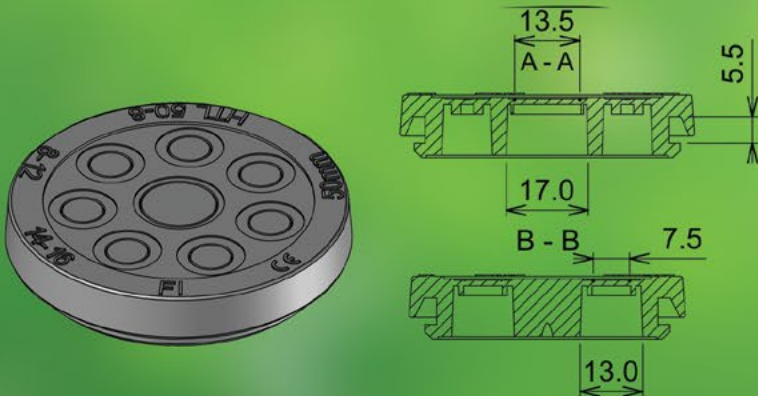
HTL-32-14



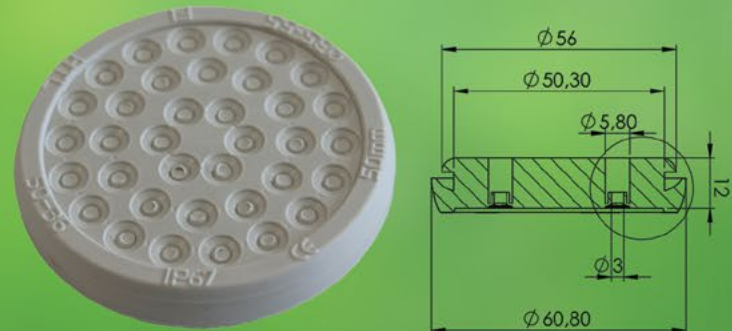
HTL-50-7



HTL-50-8 - COMING



HTL-50-36





HSS-GROMMETS

HSS-M9



HSS-M25



HSS-M80



HSS-M12



HSS-M32



HSS-M100



HSS-M16



HSS-M40



HSS-M120



HSS-M20



HSS-M50



HSS-PG16



HSS-M60

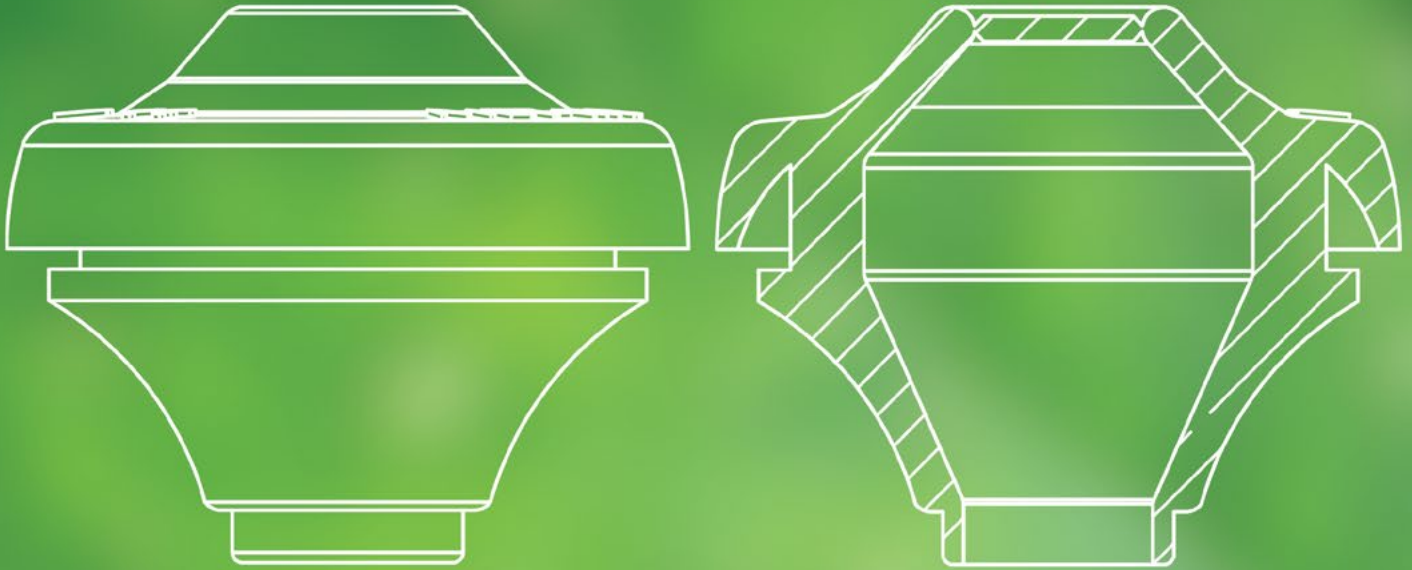


Code	D	D1	D2	H	B
HSS-M9	18 mm	9 mm	2 - 7 mm	9 mm	1,0 - 3,5 mm
HSS-M12	22 mm	12 mm	3 - 5 mm	11 mm	1,5 - 4,5 mm
HSS-M16	23,5 mm	16 mm	5 - 10 mm	11 mm	1,5 - 4,5 mm
HSS-M20	27,5 mm	20 mm	7 - 12 mm	11 mm	1,5 - 4,5 mm
HSS-PG16	32,5 mm	23 mm	10 - 14 mm	11 mm	1,0 - 4,5 mm
HSS-M25	32,5 mm	25 mm	8 - 15 mm	11 mm	1,5 - 4,5 mm
HSS-M32	44 mm	32 mm	14 - 20 mm	15 mm	1,5 - 4,5 mm
HSS-M40	53 mm	40 mm	20 - 28 mm	15 mm	1,5 - 4,5 mm
HSS-M50	65 mm	50 mm	27 - 35 mm	21 mm	1,5 - 5,5 mm
HSS-M60	79 mm	60 mm	24 - 45 mm	21 mm	1,5 - 5,5 mm
HSS-M80	100 mm	80 mm	40 - 60 mm	25 mm	1,5 - 5,5 mm
HSS-M100	122 mm	100 mm	52 - 90 mm	20 mm	1,5 - 6,0 mm
HSS-M120	142 mm	120 mm	70 - 100 mm	26 mm	1,5 - 6,0 mm



MET-M

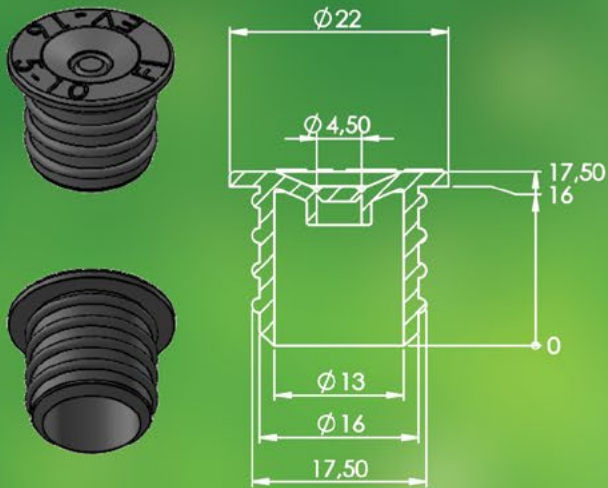
COMING



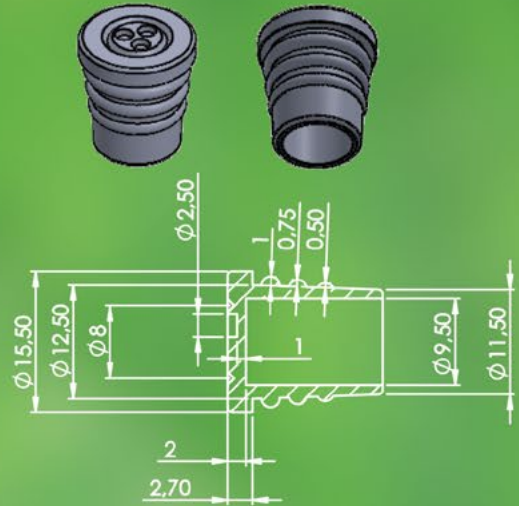
Code	D	D1
MET-M 3-5	12 mm	RAL7035
MET-M 3-5	12 mm	V-0
MET-M 5-7	16 mm	RAL7035
MET-M 5-7	16 mm	V-0
MET-M 7-10	20 mm	RAL7035
MET-M 7-10	20 mm	V-0
MET-M 10-14	25 mm	RAL7035
MET-M 10-14	25 mm	V-0
MET-M 14-20	32 mm	RAL7035
MET-M 14-20	32 mm	V-0
MET-M 20-26	40 mm	RAL7035
MET-M 20-26	40 mm	V-0
MET-M 26-35	50 mm	RAL7035
MET-M 26-35	50 mm	V-0



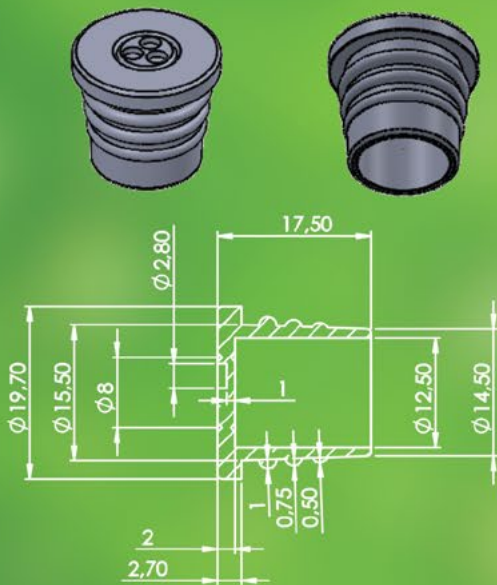
EV-16



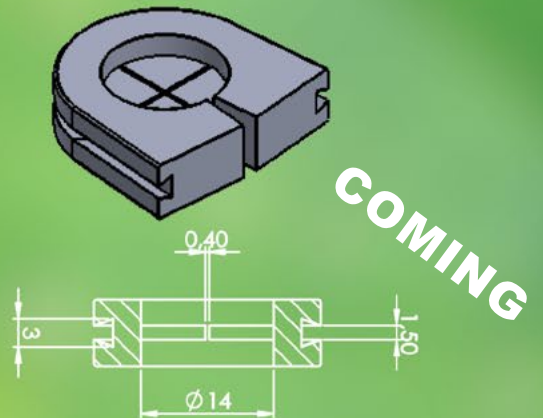
SP-16



SP-20



SO 20/23-14B



COMING

SO 20/23-14A with membrane



COMING



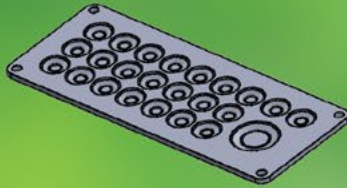
HT HI TECH POLYMERS OY

HEL-DP 24-17



IP65, CE

HTK-24



IP20, 160x58 mm, CE

HTK-26



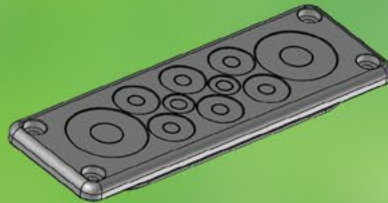
IP20, 160x58 mm, CE

HTB-10



IP65, FL13, CE

HTKB-10



IP54, FL13, CE - COMING

SK 8-13



**FOR MORE INFORMATION
PLEASE CHECK OUR WEBSITE
www.hitech-polymers.fi**



HT Hi Tech Polymers Oy
Hallitie 1
FI-32740 SASTAMALA
FINLAND

VAT Number FI06768280

office@hitech-polymers.fi
aulis.kulmala@hitech-polymers.fi
timo.kulmala@hitech-polymers.fi
satu.siltanen@hitech-polymers.fi
mervi.makinen@hitech-polymers.fi
mia.vormisto@hitech-polymers.fi

Tel. +358(0)3 8828 600
Fax +358(0)3 5133 41
www.hitech-polymers.fi