

# POSC65W-PD-MP

Wall mounted Power Supply / Power Delivery Charger



## ■ Features:

- support PD2.0/PD3.0 PPS 3.3-11V
- support: QC 2.0, QC 3.0, HUAWEI FCP, AFC, SCP, VIVO
- support: Fast charging protocol Apple 5V 2,4A
- Protections: Overload / Short circuit / Over Voltage



## ELECTRICAL SPECIFICATION



MODEL POSC65W-PD-MP

### OUTPUT

Rated Voltage	3.3V / 5V / 9V / 12V / 15V / 20V
Rated Current	4.5A (5V); 3A (9V); 3A (12V); 3A (15V); 3.25A (20V); 5A (4.5V)
Current Range	0 ÷ 3.25A
Rated Power	65W (only USB-C)/ 45W+18W (USB-C + USB-A)
Line Regulation	± 5%
Load Regulation	± 5%
Tolerance	± 8%
Ripple & Noise (max.)	150mV <sub>p-p</sub> (5V) / 200mV <sub>p-p</sub> (9-20V)
Setup, Rise Time	5000ms, 100ms / 230VAC at full load
Hold up Time (typ.)	3ms / 230VAC at full load

### INPUT

Voltage Range	90 ÷ 264VAC
Frequency Range	47 ÷ 63Hz
Efficiency (typ.)	81.39%
AC Current (typ.)	1.55A / 230VAC
No load Power Consumption (max.)	0.21W

### PROTECTIONS

Overload	Range: 105-200% Auto-recovery.
Short Circuit	Type: hiccup mode, auto-recovery.
Over Voltage	Type: auto-recovery.

# POSC65W-PD-MP

Wall mounted Power Supply / Power Delivery Charger



## WORKING ENVIRONMENT

<b>Working Temperature</b>	0°C ÷ 35°C
<b>Working Humidity</b>	5 ÷ 95% RH non-condensing
<b>Storage Temperature and Humidity</b>	-20°C ÷ 85°C, 5 ÷ 95% RH non-condensing

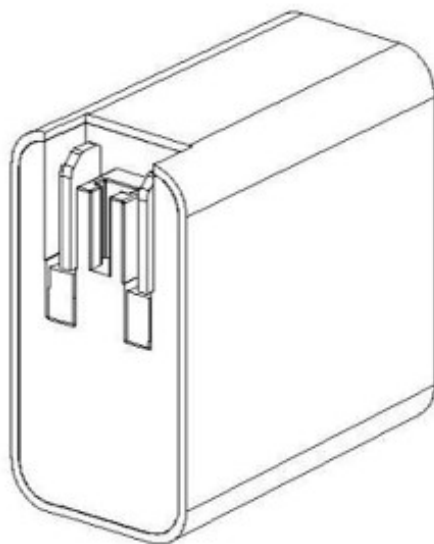
## SAFETY and EMC REGULATIONS

<b>Safety Standards</b>	Compliance to EN 62368-1
<b>Withstand Voltage</b>	IN/OUT: 3.6kVAC
<b>Isolation Resistance</b>	IN/OUT: 50MΩ/500VDC/25°C/70%
<b>EMC Emission</b>	Compliance to EN55032
<b>EMC Immunity</b>	Compliance to EN61000-4-2, -3, -4, -5
<b>Harmonic Current</b>	Compliance to EN61000-3-3; EN61000-3-2

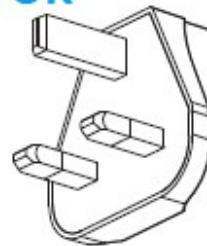
## OTHERS

<b>DC wire and plug</b>	Wire: -	Socket: USB-C x1 / USB-A x1
<b>Net Weight / Dimensions</b>	211g / 54x29x53 (L x W x H)	

## MECHANICAL SPECIFICATION: AC Plug



UK



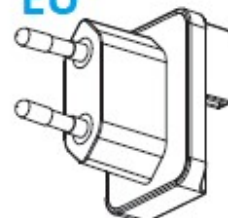
Australia



USA



EU

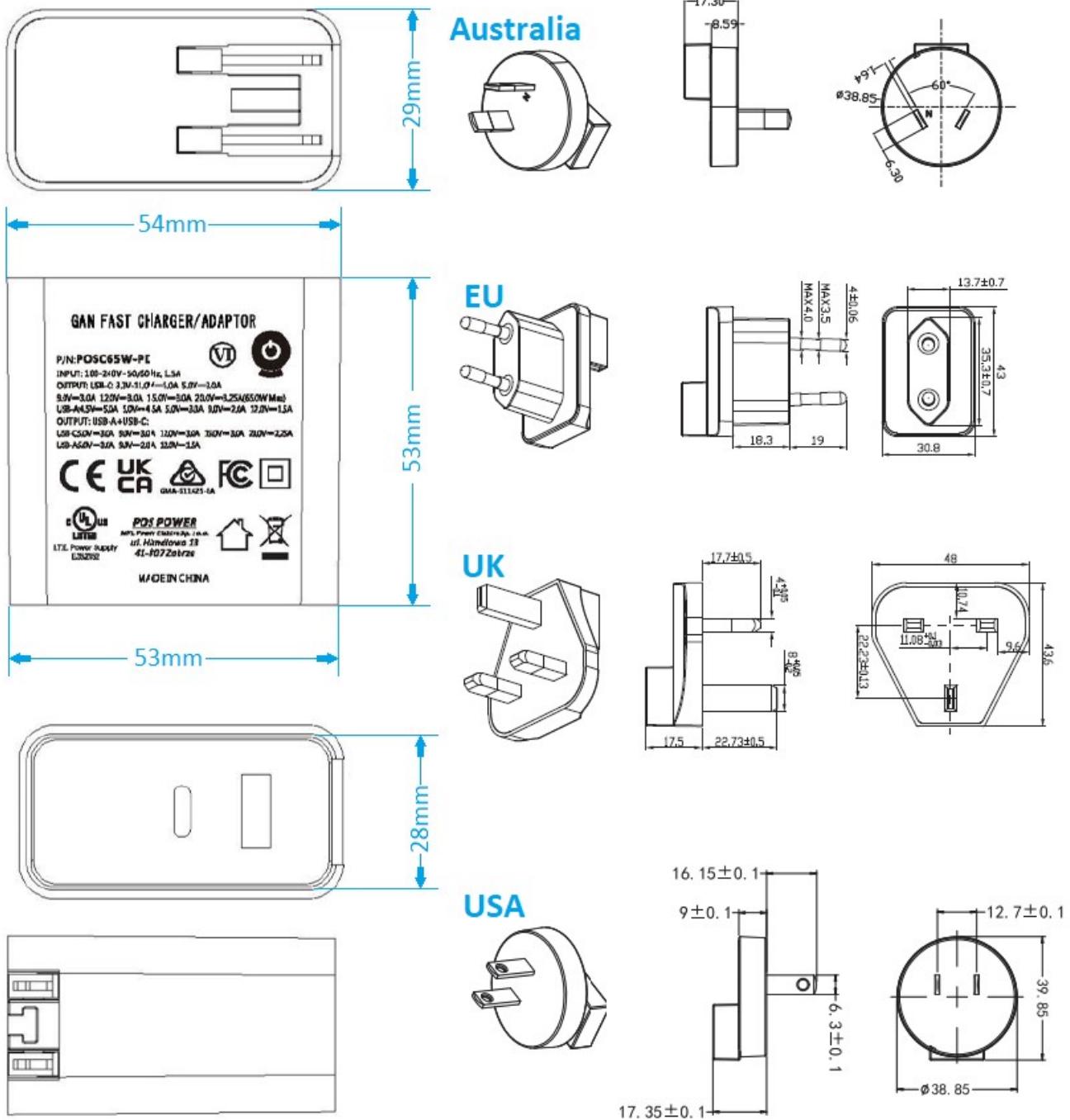


# POSC65W-PD-MP

Wall mounted Power Supply / Power Delivery Charger



## MECHANICAL SPECIFICATION:



1. All parameters NOT specially mentioned are measured at 230VAC input, rated load and 25°C of ambient temperature.
2. Ripple & noise are measured at 20MHz of bandwidth by using a 12" twisted pair-wire terminated with a 0.1µF i 47µF parallel capacitor.
3. Tolerance includes set up tolerance, line regulation and load regulation.
4. Setup and rise time is measured from 0 to 90% rated output voltage.
5. Power supply is considered as component not intended to apply by end-user. Power supply meets safety and EMC standards however the final equipment with power supply must be re-quality to comply with EMC Directives.