

POSC65W-PD-EU

Wall mounted Power Supply / Power Delivery Charger



■ Features:



- support PD2.0/PD3.0 PPS 3.3-11V

- support: QC 2.0, QC 3.0, HUAWEI FCP, AFC, SCP, VIVO

- support: Fast charging protocol Apple 5V 2,4A

- Protections: Overload / Short circuit / Over Voltage



ELECTRICAL SPECIFICATION

| | |
|-------|---------------|
| MODEL | POSC65W-PD-EU |
|-------|---------------|

OUTPUT

| | |
|-----------------------|--|
| Rated Voltage | 3.3V / 4.5V / 5V / 9V / 12V / 15V / 20V |
| Rated Current | 4.5A (5V); 3A (9V); 3A (12V); 3A (15V); 3.25A (20V); 5A (4.5V) |
| Current Range | 0 ÷ 3.25A |
| Rated Power | 65W (only USB-C)/ 45W+18W (USB-C + USB-A) |
| Line Regulation | ± 5% |
| Load Regulation | ± 5% |
| Tolerance | ± 8% |
| Ripple & Noise (max.) | 150mV _{p-p} (5V) / 200mV _{p-p} (9-20V) |
| Setup, Rise Time | 5000ms, 100ms / 230VAC at full load |
| Hold up Time (typ.) | 3ms / 230VAC at full load |

INPUT

| | |
|----------------------------------|----------------|
| Voltage Range | 90 ÷ 264VAC |
| Frequency Range | 47 ÷ 63Hz |
| Efficiency (typ.) | 81.39% |
| AC Current (typ.) | 1.55A / 230VAC |
| No load Power Consumption (max.) | 0.21W |

PROTECTIONS

| | |
|---------------|-----------------------------------|
| Overload | Range: 105-200% Auto-recovery. |
| Short Circuit | Type: hiccup mode, auto-recovery. |
| Over Voltage | Type: auto-recovery. |

POSC65W-PD-EU

Wall mounted Power Supply / Power Delivery Charger



WORKING ENVIRONMENT

| | |
|---|---|
| Working Temperature | 0°C ÷ 35°C |
| Working Humidity | 5 ÷ 95% RH non-condensing |
| Storage Temperature and Humidity | -20°C ÷ 85°C, 5 ÷ 95% RH non-condensing |

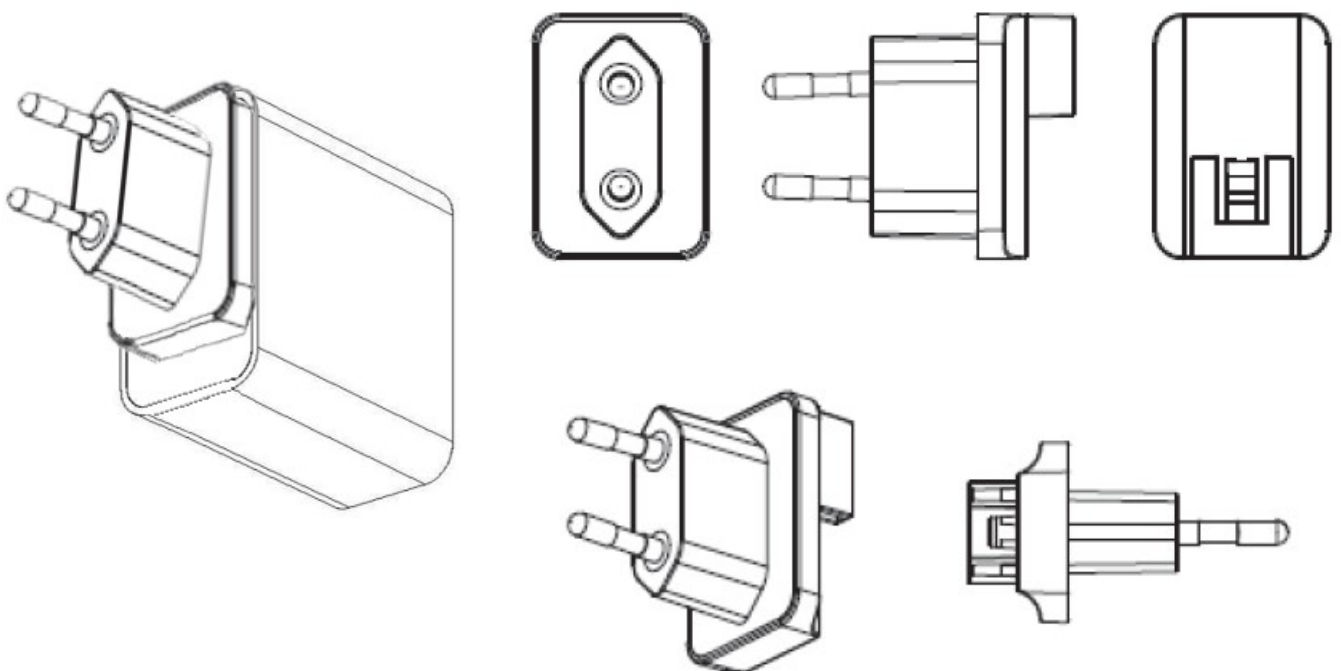
SAFETY and EMC REGULATIONS

| | |
|-----------------------------|--|
| Safety Standards | Compliance to EN 62368 |
| Withstand Voltage | IN/OUT: 3.6kVAC |
| Isolation Resistance | IN/OUT: 50MΩ/500VDC/25°C/70% |
| EMC Emission | Compliance to EN55032 |
| EMC Immunity | Compliance to EN61000-4-2, -3, -4, -5 |
| Harmonic Current | Compliance to EN61000-3-3; EN61000-3-2 |

OTHERS

| | | |
|--------------------------------|-----------------------------|-----------------------------|
| DC wire and plug | Wire: - | Socket: USB-C x1 / USB-A x1 |
| Net Weight / Dimensions | 211g / 54x29x53 (L x W x H) | |

MECHANICAL SPECIFICATION: AC Plug

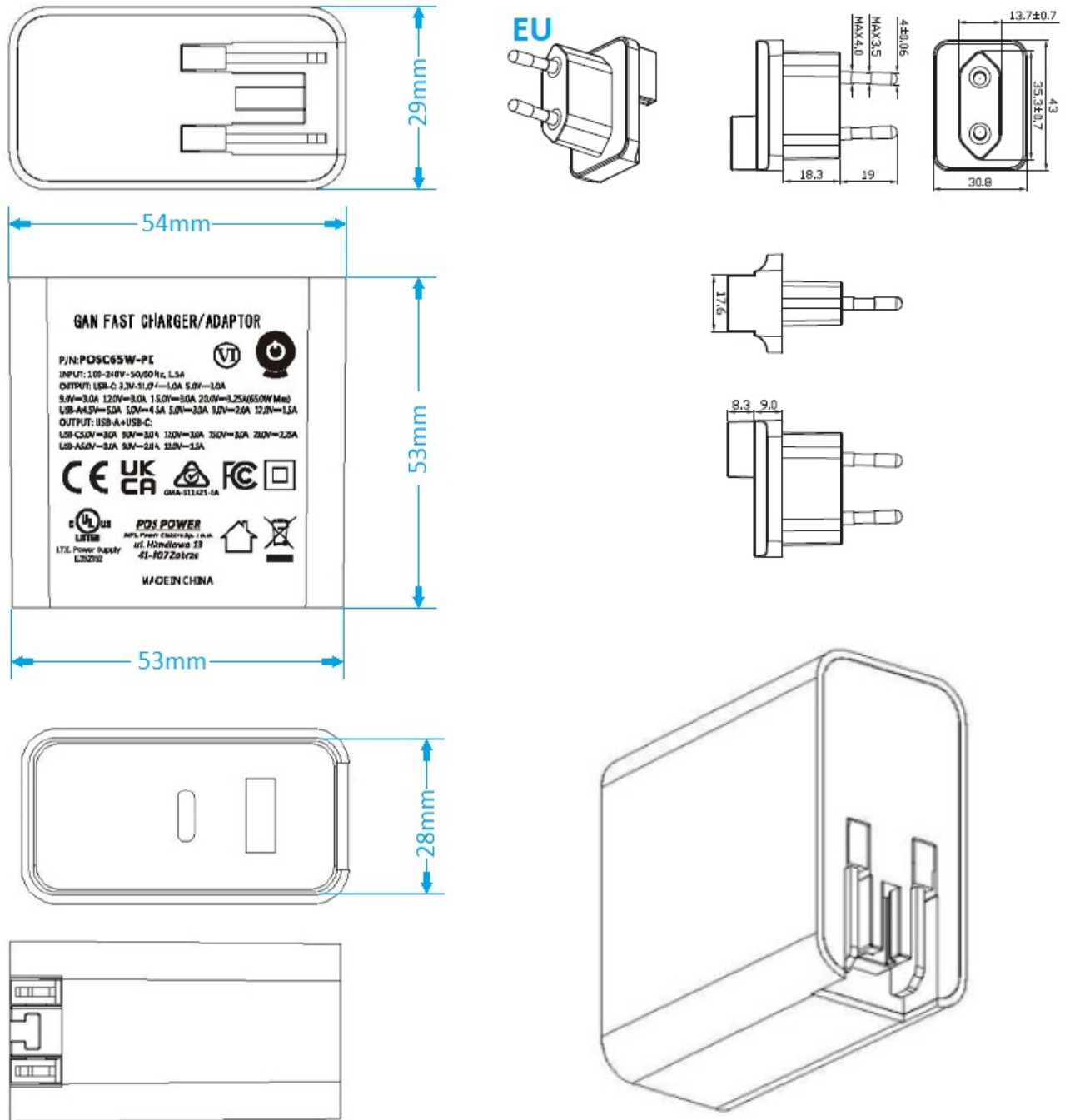


POSC65W-PD-EU

Wall mounted Power Supply / Power Delivery Charger



MECHANICAL SPECIFICATION:



1. All parameters NOT specially mentioned are measured at 230VAC input, rated load and 25°C of ambient temperature.
2. Ripple & noise are measured at 20MHz of bandwidth by using a 12" twisted pair-wire terminated with a 0.1µF / 47µF parallel capacitor.
3. Tolerance includes set up tolerance, line regulation and load regulation.
4. Setup and rise time is measured from 0 to 90% rated output voltage.
5. Power supply is considered as component not indented to apply by end-user. Power supply meets safety and EMC standards however the final equipment with power supply must be re-quality to comply with EMC Directives.