

# POSC24100A-2555-WH

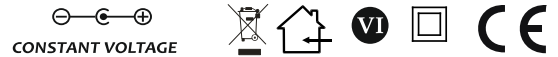
## series



### ■ Features:

- Universal AC input / Full range
- ErP step II / CEC level VI compliance
- MTBF 100.000 h

- Protections: Overload / Short circuit / Over Voltage



## ELECTRICAL SPECIFICATION

MODEL	POSC24100A-2555-WH
-------	--------------------

## OUTPUT

Rated Voltage	24V
Rated Current	1A
Current Range	0 ÷ 1A
Rated Power	24W
Line Regulation	± 5%
Load Regulation	± 5%
Tolerance [3]	± 8%
Ripple & Noise (max.) [2]	300mV <sub>p-p</sub>
Rise Time [4]	100ms / 230VAC at 10% to 90% load
Hold up Time (typ.)	3ms / 230VAC at full load

## INPUT

Voltage Range	90 ÷ 264VAC
Frequency Range	47 ÷ 63Hz
Efficiency (typ.)	86.09% - Input115/230Vac / Average (25%+50%+75%+100%) /4
AC Current (typ.)	0.6A / 230VAC
No load Power Consumption (max.)	<0.10W

## PROTECTIONS

Overload	1.1A-1.40A Auto-recovery.
Short Circuit	Type: hiccup mode, auto-recovery.
Over Voltage	Type: auto-recovery.

# POSC24100A-2555-WH

## series



### WORKING ENVIRONMENT

<i>Working Temperature</i>	-5°C ÷ 40°C
<i>Working Humidity</i>	5 ÷ 95% RH non-condensing
<i>Storage Temperature and Humidity</i>	-40°C ÷ 85°C, 5 ÷ 90% RH non-condensing

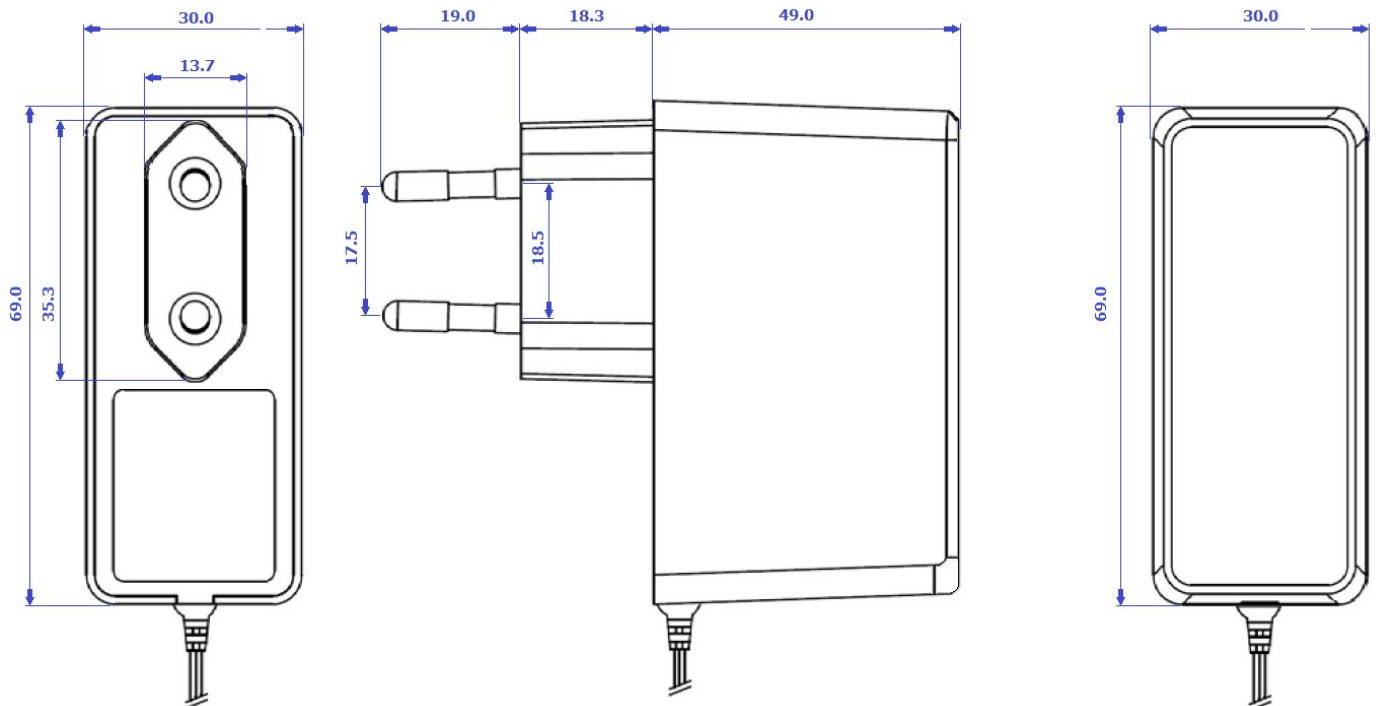
### SAFETY and EMC REGULATIONS

<i>Safety Standards</i>	Compliance to EN 62368
<i>Withstand Voltage</i>	IN/OUT: 3.6kVAC
<i>Isolation Resistance</i>	IN/OUT: 50MΩ/500VDC/25°C/70%
<i>EMC Emission</i>	Compliance to EN55032
<i>EMC Immunity</i>	Compliance to EN61000-4-2, -3, -4, -5
<i>Harmonic Current</i>	Compliance to EN61000-3-3; EN61000-3-2

### OTHERS

<i>DC wire and plug</i>	Wire: 24AWG*2C, length = 1500mm	Plug: 2.5/5.5mm
<i>Net Weight / Dimensions</i>	102g / 69.4x 30.0 x 64.1mm (L x W x H)	

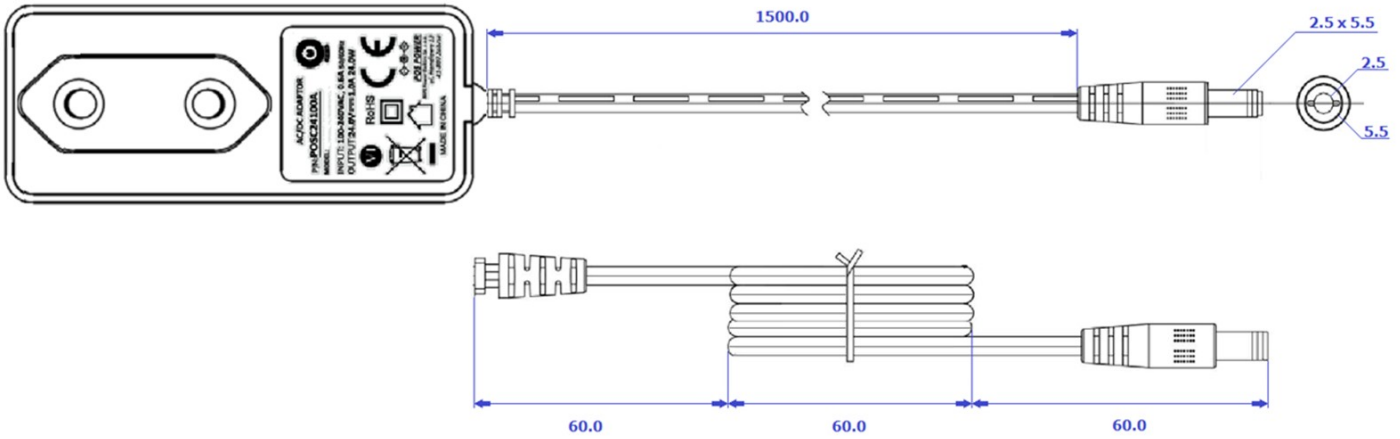
### MECHANICAL SPECIFICATION



# POSC24100A-2555-WH series



## MECHANICAL SPECIFICATION: DC wire and plug



*MODEL	DC PLUG	X [mm]	Y [mm]	Polarity
POC24100A	5.5x2.1mm	5.5	2.1	center positive
<b>POSC24100A-25-WH</b>	<b>5.5x2.5mm</b>	<b>5.5</b>	<b>2.5</b>	<b>center positive</b>
POSC24100A-13-WH	3.5x1.3mm	3.5	1.3	center positive
POSC24100A-40-WH	4.0x1.7mm	4.0	1.7	center positive
POSC24100A-48-WH	4.8x1.7mm	4.8	1.7	center positive
POSC24100A-CN-WH	5.5x2.1mm	5.5	2.1	center negative
POSC24100A-25-CN-WH	5.5x2.5mm	5.5	2.5	center negative
POSC24100A-13-CN-WH	3.5x1.3mm	3.5	1.3	center negative
POSC24100A-40-CN-WH	4.0x1.7mm	4.0	1.7	center negative
POSC24100A-48-CN-WH	4.8x1.7mm	4.8	1.7	center negative

1. All parameters NOT specially mentioned are measured at 230VAC input, rated load and 25°C of ambient temperature.
2. Ripple & noise are measured at 20MHz of bandwidth by using a 12" twisted pair-wire terminated with a 0.1µF i 47µF parallel capacitor.
3. Tolerance includes set up tolerance, line regulation and load regulation.
4. Setup and rise time is measured from 0 to 90% rated output voltage.
5. Power supply is considered as component not indented to apply by end-user. Power supply meets safety and EMC standards however the final equipment with power supply must be re-quality to comply with EMC Directives.