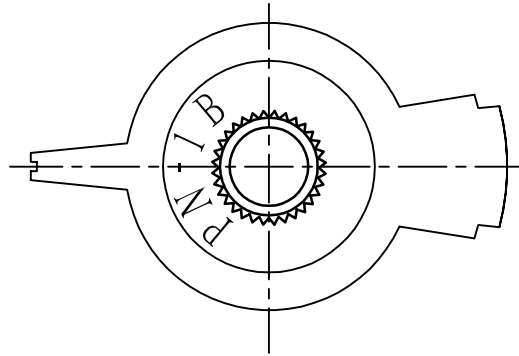
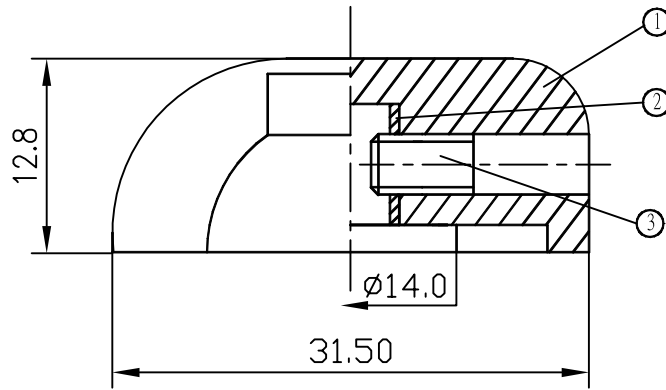
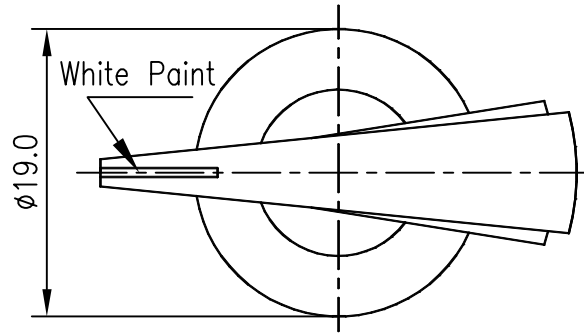


Date	Name	Descriptions	No
			△
			△



3	Headless set screw	1	Copper alloy			
2	Insert copper housing	1	Copper alloy			
1	Housing	1	PF			
No	Description	Q'ty	Material	Specification	Finish	Remark
Drawing	Check	Approval	SCI No.	1410002	Model Name	Pointer Knobs
張玲利	李元生	李景煌	Customer No.		Model No.	PN-1B
8/18/'06	8/23/'06	9/1/'06	Unit	mm	SHIN CHIN INDUSTRIAL CO., LTD.	