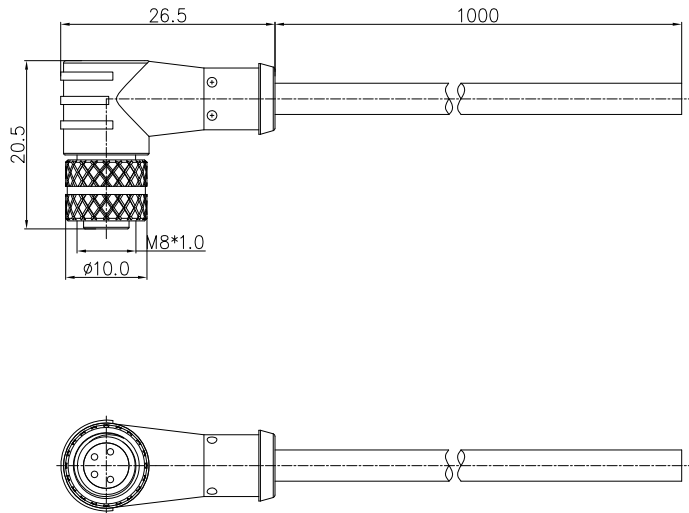


REVISION RECORD				
REV	ECN	DESCRIPTION	DRFT	DATE



Detailed product Description:

1. Waterproof connector rating is IP65/IP67
2. Protected from dust and water during immersion, resistant to many oils and chemical etc

Electrical character:

1. Rating voltage: 30V AC/DC
2. Insulation resistance: >100MΩ
3. Rating current: 3A
4. Contact resistance of the connector ≤10 mΩ

Other Specification:

1. Contact PIN: Phosphor Copper with Gold plating
2. Coupling nut/screw: Brass with nickel plating
3. Insulation plastic: PA66+GF and TPU
4. Degree of protection: IP65/67
5. Operating temperature: -25℃~+85℃

Electrical character

Prat Number	Contacts	Rated Voltage		Rated Current	Contact Resistance
		A/C	D/C		
PM-M8A-03P-FF-SR7A01-00B(H)		60V	60V	3A	10mΩ
PM-M8A-04P-FF-SR7A01-00B(H)		30V	30V	3A	10mΩ
PM-M8B-05P-FF-SR7A01-00B(H)		30V	30V	3A	10mΩ
PM-M8A-06P-FF-SR7A01-00B(H)		30V	30V	1.5A	10mΩ
PM-M8A-08P-FF-SR7A01-00B(H)		30V	30V	1.5A	10mΩ

DETACHED LISTS	PART NO.: /		宁波高松电子有限公司 NINGBO DEGSON ELECTRICAL CO., LTD		
	APPD: Alam 9/10/15"		NAME: PM-M8X-XXP-FF-SR7A01-00B(H)		
	CHKD: Aaron9/2/15"		TITLE: CUSTOMER DRAWING		
	DRFT: CKZ 01/11/15"		REV	DO	
	THIRD ANGLE PROJECTION		DRAWING NO.:	SHEET	1/1
		MM (INCH)	DO NOT SCALE DRAWING	SCALE 1:1	