

# PCF2129

Accurate RTC with integrated quartz crystal for industrial applications

Rev. 8.0 — 18 July 2022

Product data sheet



## 1 General description

---

The PCF2129 is a CMOS<sup>1</sup> Real Time Clock (RTC) and calendar with an integrated Temperature Compensated Crystal (Xtal) Oscillator (TCXO) and a 32.768 kHz quartz crystal optimized for very high accuracy and very low power consumption. The PCF2129 has a selectable I<sup>2</sup>C-bus or SPI-bus, a backup battery switch-over circuit, a programmable watchdog function, a timestamp function, and many other features.

For a selection of NXP Real-Time Clocks, see [Table 82](#)

## 2 Features and benefits

---

- UL Recognized Component (PCF2129AT and PCF2129T)
- Operating temperature range from -40 °C to +85 °C
- Temperature Compensated Crystal Oscillator (TCXO) with integrated capacitors
- Typical accuracy:
  - PCF2129AT: ±3 ppm from -15 °C to +60 °C
  - PCF2129T: ±3 ppm from -30 °C to +80 °C
- Integration of a 32.768 kHz quartz crystal and oscillator in the same package
- Provides year, month, day, weekday, hours, minutes, seconds, and leap year correction
- Timestamp function
  - with interrupt capability
  - detection of two different events on one multilevel input pin (for example, for tamper detection)
- Two line bidirectional 400 kHz Fast-mode I<sup>2</sup>C-bus interface
- Three line SPI-bus with separate data input and output (maximum speed 6.5 Mbit/s)
- Battery backup input pin and switch-over circuitry
- Battery backed output voltage
- Battery low detection function
- Power-On Reset Override (PORO)
- Oscillator stop detection function
- Interrupt output (open-drain)
- Programmable 1 second or 1 minute interrupt
- Programmable watchdog timer with interrupt
- Programmable alarm function with interrupt capability
- Programmable square output
- Clock operating voltage: 1.8 V to 4.2 V

---

<sup>1</sup> The definition of the abbreviations and acronyms used in this data sheet can be found in [Section 20](#).



- Low supply current: typical 0.70  $\mu\text{A}$  at  $V_{\text{DD}} = 3.3 \text{ V}$

### 3 Applications

- Electronic metering for electricity, water, and gas
- Precision timekeeping
- Access to accurate time of the day
- GPS equipment to reduce time to first fix
- Applications that require an accurate process timing
- Products with long automated unattended operation time

### 4 Ordering information

Table 1. Ordering information

| Type number | Topside marking | Package |  |          |
|-------------|-----------------|---------|--|----------|
|             |                 | Name    | Description  | Version  |
| PCF2129AT   | PCF2129AT       | SO20    | plastic small outline package; 20 leads; body width 7.5 mm | SOT163-1 |
| PCF2129T    | PCF2129T        | SO16    | plastic small outline package; 16 leads; body width 7.5 mm | SOT162-1 |

#### 4.1 Ordering options

Table 2. Ordering options

| Type number | Orderable part number | Package | Packing method <sup>[1]</sup> | Minimum order quantity | Temperature   |
|-------------|-----------------------|---------|-------------------------------|------------------------|---|
| PCF2129AT   | PCF2129AT/2,518       | SO20    | reel 13" Q1 DP                | 2000                   | $T_{\text{amb}} = -40 \text{ }^{\circ}\text{C}$ to $+85 \text{ }^{\circ}\text{C}$ |
| PCF2129T    | PCF2129T/2,518        | SO16    | reel 13" Q1 DP                | 1000                   | $T_{\text{amb}} = -40 \text{ }^{\circ}\text{C}$ to $+85 \text{ }^{\circ}\text{C}$ |

[1] Standard packing quantities and other packaging data are available at [www.nxp.com/packages/](http://www.nxp.com/packages/).

5 Block diagram

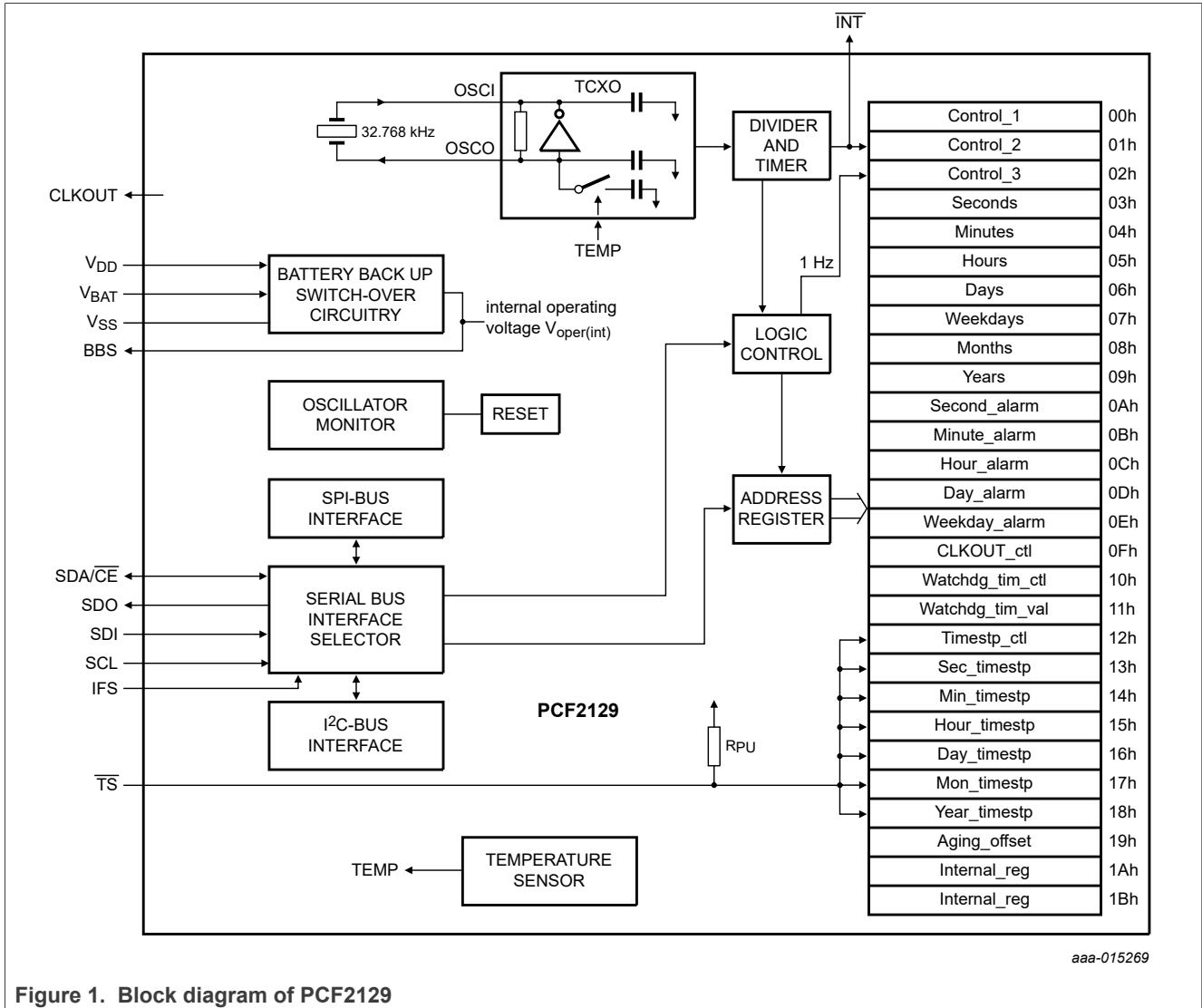
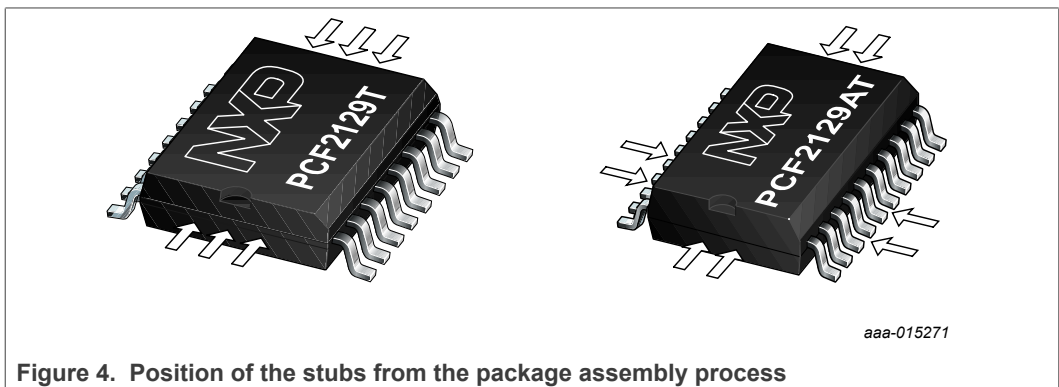
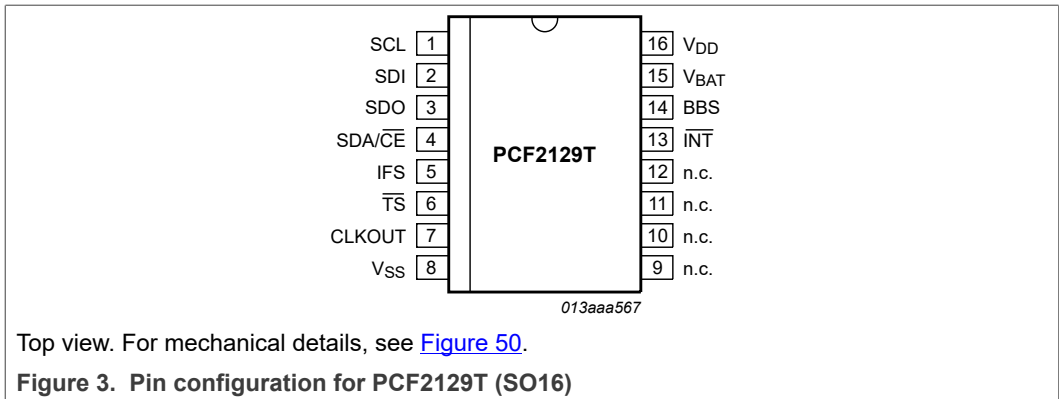
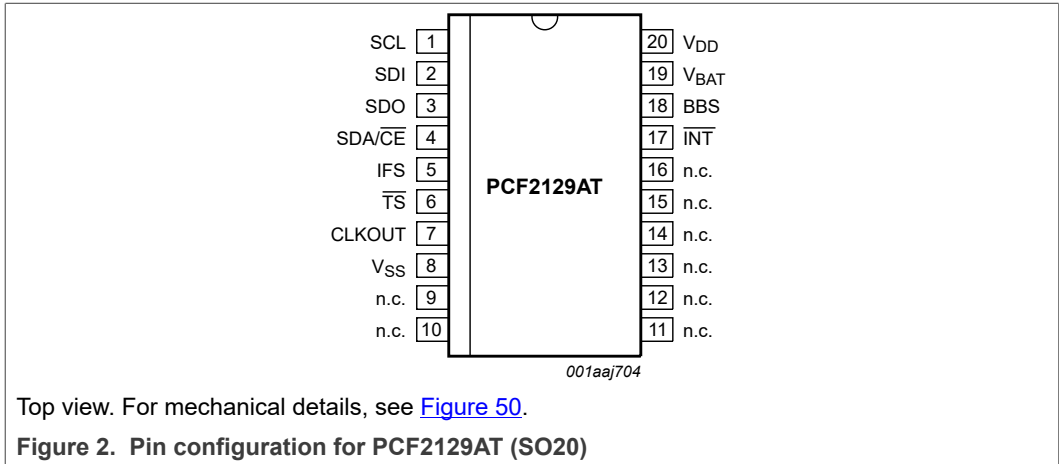


Figure 1. Block diagram of PCF2129

## 6 Pinning information

### 6.1 Pinning



After lead forming and cutting, there remain stubs from the package assembly process. These stubs are present at the edge of the package as illustrated in [Figure 4](#). The stubs are at an electrical potential. To avoid malfunction of the PCF2129, it has to be ensured that they are not shorted with another electrical potential (e.g. by condensation).

## 6.2 Pin description

**Table 3. Pin description of PCF2129**

*Input or input/output pins must always be at a defined level ( $V_{SS}$  or  $V_{DD}$ ) unless otherwise specified.*

| Symbol    | Pin       |          | Description  |
|-----------|-----------|----------|--|
|           | PCF2129AT | PCF2129T |  |
| SCL       | 1         | 1        | combined serial clock input for both I <sup>2</sup> C-bus and SPI-bus  |
| SDI       | 2         | 2        | serial data input for SPI-bus<br>connect to pin $V_{SS}$ if I <sup>2</sup> C-bus is selected                                       |
| SDO       | 3         | 3        | serial data output for SPI-bus, push-pull  |
| SDA/CE    | 4         | 4        | combined serial data input and output for the I <sup>2</sup> C-bus and chip enable input (active LOW) for the SPI-bus              |
| IFS       | 5         | 5        | interface selector input<br>connect to pin $V_{SS}$ to select the SPI-bus<br>connect to pin BBS to select the I <sup>2</sup> C-bus |
| TS        | 6         | 6        | timestamp input (active LOW) with 200 kΩ internal pull-up resistor ( $R_{PU}$ )  |
| CLKOUT    | 7         | 7        | clock output (open-drain)  |
| $V_{SS}$  | 8         | 8        | ground supply voltage  |
| n.c.      | 9 to 16   | 9 to 12  | not connected; do not connect; do not use as feed through  |
| INT       | 17        | 13       | interrupt output (open-drain; active LOW)  |
| BBS       | 18        | 14       | output voltage (battery backed)  |
| $V_{BAT}$ | 19        | 15       | battery supply voltage (backup)<br>connect to $V_{SS}$ if battery switch over is not used  |
| $V_{DD}$  | 20        | 16       | supply voltage   |

## 7 Functional description

The PCF2129 is a Real Time Clock (RTC) and calendar with an on-chip Temperature Compensated Crystal (Xtal) Oscillator (TCXO) and a 32.768 kHz quartz crystal integrated into the same package (see [Section 7.3.3](#)).

Address and data are transferred by a selectable 400 kHz Fast-mode I<sup>2</sup>C-bus or a 3 line SPI-bus with separate data input and output (see [Section 8](#)). The maximum speed of the SPI-bus is 6.5 Mbit/s.

The PCF2129 has a backup battery input pin and backup battery switch-over circuit which monitors the main power supply. The backup battery switch-over circuit automatically switches to the backup battery when a power failure condition is detected (see [Section 7.5.1](#)). Accurate timekeeping is maintained even when the main power supply is interrupted.

A battery low detection circuit monitors the status of the battery (see [Section 7.5.2](#)). When the battery voltage drops below a certain threshold value, a flag is set to indicate that the battery must be replaced soon. This ensures the integrity of the data during periods of battery backup.

## 7.1 Register overview

The PCF2129 contains an auto-incrementing address register: the built-in address register will increment automatically after each read or write of a data byte up to the register 1Bh. After register 1Bh, the auto-incrementing will wrap around to address 00h (see [Figure 5](#)).

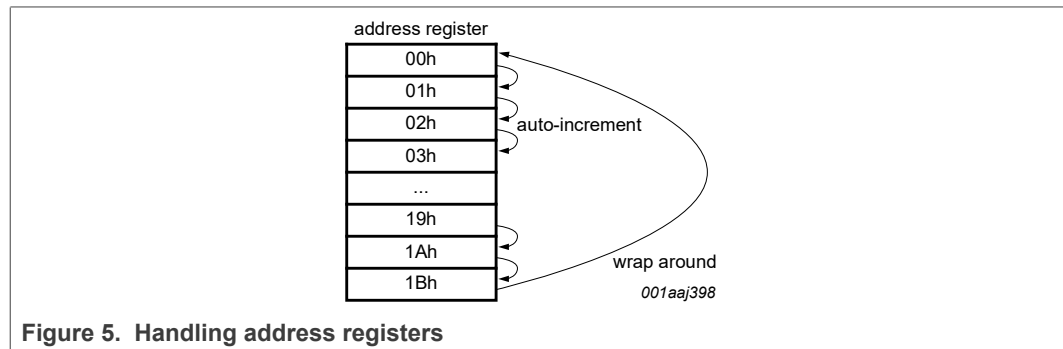


Figure 5. Handling address registers

- The first three registers (memory address 00h, 01h, and 02h) are used as control registers (see [Section 7.2](#)).
- The memory addresses 03h through to 09h are used as counters for the clock function (seconds up to years). The date is automatically adjusted for months with fewer than 31 days, including corrections for leap years. The clock can operate in 12-hour mode with an AM/PM indication or in 24-hour mode (see [Section 7.8](#)).
- The registers at addresses 0Ah through 0Eh define the alarm function. It can be selected that an interrupt is generated when an alarm event occurs (see [Section 7.9](#)).
- The register at address 0Fh defines the temperature measurement period and the clock out mode. The temperature measurement can be selected from every 4 minutes (default) down to every 30 seconds (see [Table 13](#)). CLKOUT frequencies of 32.768 kHz (default) down to 1 Hz for use as system clock, microcontroller clock, and so on, can be chosen (see [Table 14](#)).
- The registers at addresses 10h and 11h are used for the watchdog timer functions. The watchdog timer has four selectable source clocks allowing for timer periods from less than 1 ms to greater than 4 hours (see [Table 51](#)). An interrupt is generated when the watchdog times out.
- The registers at addresses 12h to 18h are used for the timestamp function. When the trigger event happens, the actual time is saved in the timestamp registers (see [Section 7.11](#)).
- The register at address 19h is used for the correction of the crystal aging effect (see [Section 7.4.1](#)).
- The registers at addresses 1Ah and 1Bh are for internal use only.
- The registers Seconds, Minutes, Hours, Days, Months, and Years are all coded in Binary Coded Decimal (BCD) format to simplify application use. Other registers are either bit-wise or standard binary.

When one of the RTC registers is written or read, the content of all counters is temporarily frozen. This prevents a faulty writing or reading of the clock and calendar during a carry condition (see [Section 7.8.8](#)).

Table 4. Register overview

Bit positions labeled as - are not implemented and return 0 when read. Bits labeled as T must always be written with logic 0. Bits labeled as X are undefined at power-on and unchanged by subsequent resets.

| Address                        | Register name | Bit             |                        |                                      |                                      |          |                        |             |                          | Reset value              | Reference                |
|--------------------------------|---------------|-----------------|------------------------|--------------------------------------|--------------------------------------|----------|------------------------|-------------|--------------------------|--------------------------|--------------------------|
|                                |               | 7               | 6                      | 5                                    | 4                                    | 3        | 2                      | 1           | 0                        |                          |                          |
| <b>Control registers</b>       |               |                 |                        |                                      |                                      |          |                        |             |                          |                          |                          |
| 00h                            | Control_1     | EXT_TEST        | T                      | STOP                                 | TSF1                                 | POR_OVRD | 12_24                  | MI          | SI                       | 0000 1000                | <a href="#">Table 6</a>  |
| 01h                            | Control_2     | MSF             | WDTF                   | TSF2                                 | AF                                   | T        | TSIE                   | AIE         | T                        | 0000 0000                | <a href="#">Table 8</a>  |
| 02h                            | Control_3     | PWRMNG[2:0]     |                        |                                      | BTSE                                 | BF       | BLF                    | BIE         | BLIE                     | 0000 0000                | <a href="#">Table 10</a> |
| <b>Time and date registers</b> |               |                 |                        |                                      |                                      |          |                        |             |                          |                          |                          |
| 03h                            | Seconds       | OSF             | SECONDS (0 to 59)      |                                      |                                      |          |                        |             | 1XXX XXXX                | <a href="#">Table 21</a> |                          |
| 04h                            | Minutes       | -               | MINUTES (0 to 59)      |                                      |                                      |          |                        |             | - XXX XXXX               | <a href="#">Table 24</a> |                          |
| 05h                            | Hours         | -               | -                      | AMPM                                 | HOURS (1 to 12) in 12-hour mode      |          |                        |             | -- XX XXXX               | <a href="#">Table 26</a> |                          |
|                                |               |                 |                        | HOURS (0 to 23) in 24-hour mode      |                                      |          |                        | -- XX XXXX  |                          |                          |                          |
| 06h                            | Days          | -               | -                      | DAYS (1 to 31)                       |                                      |          |                        | -- XX XXXX  | <a href="#">Table 28</a> |                          |                          |
| 07h                            | Weekdays      | -               | -                      | -                                    | -                                    | -        | WEEKDAYS (0 to 6)      |             | ----- XXX                | <a href="#">Table 30</a> |                          |
| 08h                            | Months        | -               | -                      | -                                    | MONTHS (1 to 12)                     |          |                        |             | --- X XXXX               | <a href="#">Table 33</a> |                          |
| 09h                            | Years         | YEARS (0 to 99) |                        |                                      |                                      |          |                        | XXXX XXXX   | <a href="#">Table 36</a> |                          |                          |
| <b>Alarm registers</b>         |               |                 |                        |                                      |                                      |          |                        |             |                          |                          |                          |
| 0Ah                            | Second_alarm  | AE_S            | SECOND_ALARM (0 to 59) |                                      |                                      |          |                        |             | 1XXX XXXX                | <a href="#">Table 38</a> |                          |
| 0Bh                            | Minute_alarm  | AE_M            | MINUTE_ALARM (0 to 59) |                                      |                                      |          |                        |             | 1XXX XXXX                | <a href="#">Table 40</a> |                          |
| 0Ch                            | Hour_alarm    | AE_H            | -                      | AMPM                                 | HOUR_ALARM (1 to 12) in 12-hour mode |          |                        |             | 1 - XX XXXX              | <a href="#">Table 42</a> |                          |
|                                |               |                 |                        | HOUR_ALARM (0 to 23) in 24-hour mode |                                      |          |                        | 1 - XX XXXX |                          |                          |                          |
| 0Dh                            | Day_alarm     | AE_D            | -                      | DAY_ALARM (1 to 31)                  |                                      |          |                        | 1 - XX XXXX | <a href="#">Table 44</a> |                          |                          |
| 0Eh                            | Weekday_alarm | AE_W            | -                      | -                                    | -                                    | -        | WEEKDAY_ALARM (0 to 6) |             | 1 - - - - XXX            | <a href="#">Table 46</a> |                          |
| <b>CLKOUT control register</b> |               |                 |                        |                                      |                                      |          |                        |             |                          |                          |                          |
| 0Fh                            | CLKOUT_ctl    | TCR[1:0]        |                        | OTPR                                 | -                                    | -        | COF[2:0]               |             | 00X - - 000              | <a href="#">Table 12</a> |                          |

Table 4. Register overview...continued

Bit positions labeled as - are not implemented and return 0 when read. Bits labeled as T must always be written with logic 0. Bits labeled as X are undefined at power-on and unchanged by subsequent resets.

| Address                      | Register name    | Bit                      |                            |  |  |         |             |              |              | Reset value              | Reference                |
|------------------------------|------------------|--------------------------|----------------------------|--|--|---------|-------------|--------------|--------------|--------------------------|--------------------------|
|                              |                  | 7                        | 6                          | 5  | 4  | 3       | 2           | 1            | 0            |                          |                          |
| <b>Watchdog registers</b>    |                  |                          |                            |  |  |         |             |              |              |                          |                          |
| 10h                          | Watchdog_tim_ctl | WD_CD                    | T                          | TI_TP                                    | -  | -       | -           | TF[1:0]      |              | 000 - - - 11             | <a href="#">Table 48</a> |
| 11h                          | Watchdog_tim_val | WATCHDOG_TIM_VAL[7:0]    |                            |  |  |         |             |              |              | XXXX XXXX                | <a href="#">Table 50</a> |
| <b>Timestamp registers</b>   |                  |                          |                            |  |  |         |             |              |              |                          |                          |
| 12h                          | Timestamp_ctl    | TSM                      | TSOFF                      | -  | 1_O_16_TIMESTAMP[4:0]                    |         |             | 00 - X XXXX  |              | <a href="#">Table 57</a> |                          |
| 13h                          | Sec_timestp      | -                        | SECOND_TIMESTAMP (0 to 59) |  |  |         |             | - XXX XXXX   |              | <a href="#">Table 59</a> |                          |
| 14h                          | Min_timestp      | -                        | MINUTE_TIMESTAMP (0 to 59) |  |  |         |             | - XXX XXXX   |              | <a href="#">Table 61</a> |                          |
| 15h                          | Hour_timestp     | -                        | -                          | AMPM                                     | HOUR_TIMESTAMP (1 to 12) in 12-hour mode |         |             | - - XX XXXX  |              | <a href="#">Table 63</a> |                          |
|                              |                  |                          |                            | HOUR_TIMESTAMP (0 to 23) in 24-hour mode |  |         | - - XX XXXX |              |              |                          |                          |
| 16h                          | Day_timestp      | -                        | -                          | DAY_TIMESTAMP (1 to 31)                  |  |         |             | - - XX XXXX  |              | <a href="#">Table 65</a> |                          |
| 17h                          | Mon_timestp      | -                        | -                          | -  | MONTH_TIMESTAMP (1 to 12)                |         |             | - - - X XXXX |              | <a href="#">Table 67</a> |                          |
| 18h                          | Year_timestp     | YEAR_TIMESTAMP (0 to 99) |                            |  |  |         |             |              | XXXX XXXX    |                          | <a href="#">Table 69</a> |
| <b>Aging offset register</b> |                  |                          |                            |  |  |         |             |              |              |                          |                          |
| 19h                          | Aging_offset     | -                        | -                          | -  | -  | AO[3:0] |             |              | - - - - 1000 |                          | <a href="#">Table 16</a> |
| <b>Internal registers</b>    |                  |                          |                            |  |  |         |             |              |              |                          |                          |
| 1Ah                          | Internal_reg     | -                        | -                          | -  | -  | -       | -           | -            | -            | -----                    | -                        |
| 1Bh                          | Internal_reg     | -                        | -                          | -  | -  | -       | -           | -            | -            | -----                    | -                        |



## 7.2 Control registers

The first 3 registers of the PCF2129, with the addresses 00h, 01h, and 02h, are used as control registers.

### 7.2.1 Register Control\_1

**Table 5. Control\_1 - control and status register 1 (address 00h) bit allocation**

Bits labeled as *T* must always be written with logic 0.

| Bit         | 7        | 6 | 5    | 4    | 3        | 2     | 1  | 0  |
|-------------|----------|---|------|------|----------|-------|----|----|
| Symbol      | EXT_TEST | T | STOP | TSF1 | POR_OVRD | 12_24 | MI | SI |
| Reset value | 0        | 0 | 0    | 0    | 1        | 0     | 0  | 0  |

**Table 6. Control\_1 - control and status register 1 (address 00h) bit description**

Bits labeled as *T* must always be written with logic 0.

| Bit | Symbol   | Value | Description  | Reference   |
|-----|----------|-------|--|---|
| 7   | EXT_TEST | 0     | normal mode  | <a href="#">Section 7.13</a>  |
|     |          | 1     | external clock test mode   |   |
| 6   | T        | 0     | unused   | -   |
| 5   | STOP     | 0     | RTC source clock runs  | <a href="#">Section 7.14</a>  |
|     |          | 1     | RTC clock is stopped;<br>RTC divider chain flip-flops are asynchronously set logic 0;<br>CLKOUT at 32.768 kHz, 16.384 kHz, or 8.192 kHz is still available |   |
| 4   | TSF1     | 0     | no timestamp interrupt generated   | <a href="#">Section 7.11.1</a>  |
|     |          | 1     | flag set when TS input is driven to an intermediate level between power supply and ground;<br>flag must be cleared to clear interrupt                      |   |
| 3   | POR_OVRD | 0     | Power-On Reset Override (PORO) facility disabled;<br><b>set logic 0 for normal operation</b>   | <a href="#">Section 7.7.2</a>   |
|     |          | 1     | Power-On Reset Override (PORO) sequence reception enabled  |   |
| 2   | 12_24    | 0     | 24-hour mode selected  | <a href="#">Table 26,</a><br><a href="#">Table 42,</a><br><a href="#">Table 43,</a><br><a href="#">Table 63</a> |
|     |          | 1     | 12-hour mode selected  |   |
| 1   | MI       | 0     | minute interrupt disabled  | <a href="#">Section 7.12.1</a>  |
|     |          | 1     | minute interrupt enabled   |   |
| 0   | SI       | 0     | second interrupt disabled  |   |
|     |          | 1     | second interrupt enabled   |   |

7.2.2 Register Control\_2

Table 7. Control\_2 - control and status register 2 (address 01h) bit allocation

Bits labeled as T must always be written with logic 0.

| Bit         | 7   | 6    | 5    | 4  | 3 | 2    | 1   | 0 |
|-------------|-----|------|------|----|---|------|-----|---|
| Symbol      | MSF | WDTF | TSF2 | AF | T | TSIE | AIE | T |
| Reset value | 0   | 0    | 0    | 0  | 0 | 0    | 0   | 0 |

Table 8. Control\_2 - control and status register 2 (address 01h) bit description

Bits labeled as T must always be written with logic 0.

| Bit | Symbol | Value | Description   | Reference                      |
|-----|--------|-------|---|--------------------------------|
| 7   | MSF    | 0     | no minute or second interrupt generated   | <a href="#">Section 7.12</a>   |
|     |        | 1     | flag set when minute or second interrupt generated;<br>flag must be cleared to clear interrupt              |                                |
| 6   | WDTF   | 0     | no watchdog timer interrupt or reset generated  | <a href="#">Section 7.12.3</a> |
|     |        | 1     | flag set when watchdog timer interrupt or reset generated;<br>flag cannot be cleared by command (read-only) |                                |
| 5   | TSF2   | 0     | no timestamp interrupt generated  | <a href="#">Section 7.11.1</a> |
|     |        | 1     | flag set when $\overline{TS}$ input is driven to ground;<br>flag must be cleared to clear interrupt         |                                |
| 4   | AF     | 0     | no alarm interrupt generated  | <a href="#">Section 7.9.6</a>  |
|     |        | 1     | flag set when alarm triggered;<br>flag must be cleared to clear interrupt                                   |                                |
| 3   | T      | 0     | unused  | -                              |
| 2   | TSIE   | 0     | no interrupt generated from timestamp flag  | <a href="#">Section 7.12.5</a> |
|     |        | 1     | interrupt generated when timestamp flag set   |                                |
| 1   | AIE    | 0     | no interrupt generated from the alarm flag  | <a href="#">Section 7.12.4</a> |
|     |        | 1     | interrupt generated when alarm flag set   |                                |
| 0   | T      | 0     | unused  | -                              |

7.2.3 Register Control\_3

Table 9. Control\_3 - control and status register 3 (address 02h) bit allocation

| Bit         | 7           | 6 | 5 | 4    | 3  | 2   | 1   | 0    |
|-------------|-------------|---|---|------|----|-----|-----|------|
| Symbol      | PWRMNG[2:0] |   |   | BTSE | BF | BLF | BIE | BLIE |
| Reset value | 0           | 0 | 0 | 0    | 0  | 0   | 0   | 0    |

Table 10. Control\_3 - control and status register 3 (address 02h) bit description

| Bit    | Symbol      | Value                        | Description   | Reference  |
|--------|-------------|------------------------------|---|--|
| 7 to 5 | PWRMNG[2:0] | see <a href="#">Table 18</a> | control of the battery switch-over, battery low detection, and extra power fail detection functions | <a href="#">Section 7.5</a>                                      |
| 4      | BTSE        | 0                            | no timestamp when battery switch-over occurs  | <a href="#">Section 7.11.4</a>                                   |
|        |             | 1                            | time-stamped when battery switch-over occurs  |  |
| 3      | BF          | 0                            | no battery switch-over interrupt generated  | <a href="#">Section 7.5.1</a> and <a href="#">Section 7.11.4</a> |
|        |             | 1                            | flag set when battery switch-over occurs; flag must be cleared to clear interrupt                   |  |
| 2      | BLF         | 0                            | battery status ok; no battery low interrupt generated   | <a href="#">Section 7.5.2</a>                                    |
|        |             | 1                            | battery status low; flag cannot be cleared by command   |  |
| 1      | BIE         | 0                            | no interrupt generated from the battery flag (BF)   | <a href="#">Section 7.12.6</a>                                   |
|        |             | 1                            | interrupt generated when BF is set  |  |
| 0      | BLIE        | 0                            | no interrupt generated from battery low flag (BLF)  | <a href="#">Section 7.12.7</a>                                   |
|        |             | 1                            | interrupt generated when BLF is set   |  |

### 7.3 Register CLKOUT\_ctl

Table 11. CLKOUT\_ctl - CLKOUT control register (address 0Fh) bit allocation

Bit positions labeled as - are not implemented and return 0 when read. Bits labeled as X are undefined at power-on and unchanged by subsequent resets.

| Bit         | 7        | 6 | 5    | 4 | 3 | 2        | 1 | 0 |
|-------------|----------|---|------|---|---|----------|---|---|
| Symbol      | TCR[1:0] |   | OTPR | - | - | COF[2:0] |   |   |
| Reset value | 0        | 0 | X    | - | - | 0        | 0 | 0 |

Table 12. CLKOUT\_ctl - CLKOUT control register (address 0Fh) bit description

Bit positions labeled as - are not implemented and return 0 when read. Bits labeled as X are undefined at power-on and unchanged by subsequent resets.

| Bit    | Symbol   | Value                        | Description                    |
|--------|----------|------------------------------|--------------------------------|
| 7 to 6 | TCR[1:0] | see <a href="#">Table 13</a> | temperature measurement period |
| 5      | OTPR     | 0                            | no OTP refresh                 |
|        |          | 1                            | OTP refresh performed          |
| 4 to 3 | -        | -                            | unused                         |
| 2 to 0 | COF[2:0] | see <a href="#">Table 14</a> | CLKOUT frequency selection     |

#### 7.3.1 Temperature compensated crystal oscillator

The frequency of tuning fork quartz crystal oscillators is temperature-dependent. In the PCF2129, the frequency deviation caused by temperature variation is corrected by adjusting the load capacitance of the crystal oscillator.

The load capacitance is changed by switching between two load capacitance values using a modulation signal with a programmable duty cycle. In order to compensate the spread of the quartz parameters every chip is factory calibrated.

The frequency accuracy can be evaluated by measuring the frequency of the square wave signal available at the output pin CLKOUT. However, the selection of  $f_{CLKOUT} = 32.768$  kHz (default value) leads to inaccurate measurements. Accurate frequency measurement occurs when  $f_{CLKOUT} = 16.384$  kHz or lower is selected (see [Table 14](#)).

**7.3.1.1 Temperature measurement**

The PCF2129 has a temperature sensor circuit used to perform the temperature compensation of the frequency. The temperature is measured immediately after power-on and then periodically with a period set by the temperature conversion rate TCR[1:0] in the register CLKOUT\_ctl.

**Table 13. Temperature measurement period**

| TCR[1:0] |     | Temperature measurement period |
|----------|-----|--------------------------------|
| 00       | [1] | 4 min                          |
| 01       |     | 2 min                          |
| 10       |     | 1 min                          |
| 11       |     | 30 seconds                     |

[1] Default value.

**7.3.2 OTP refresh**

Each IC is calibrated during production and testing of the device. The calibration parameters are stored on EPROM cells called One Time Programmable (OTP) cells. It is recommended to process an OTP refresh once after the power is up and the oscillator is operating stable. The OTP refresh takes less than 100 ms to complete.

To perform an OTP refresh, bit OTPR has to be cleared (set to logic 0) and then set to logic 1 again.

**7.3.3 Clock output**

A programmable square wave is available at pin CLKOUT. Operation is controlled by the COF[2:0] control bits in register CLKOUT\_ctl. Frequencies of 32.768 kHz (default) down to 1 Hz can be generated for use as system clock, microcontroller clock, charge pump input, or for calibrating the oscillator.

CLKOUT is an open-drain output and enabled at power-on. When disabled, the output is high-impedance.

**Table 14. CLKOUT frequency selection**

| COF[2:0] |        | CLKOUT frequency (Hz) | Typical duty cycle <sup>[1]</sup> |
|----------|--------|-----------------------|-----------------------------------|
| 000      | [2][3] | 32 768                | 60 : 40 to 40 : 60                |
| 001      |        | 16 384                | 50 : 50                           |
| 010      |        | 8 192                 | 50 : 50                           |
| 011      |        | 4 096                 | 50 : 50                           |
| 100      |        | 2 048                 | 50 : 50                           |

Table 14. CLKOUT frequency selection...continued

| COF[2:0] | CLKOUT frequency (Hz) | Typical duty cycle <sup>[1]</sup> |
|----------|-----------------------|-----------------------------------|
| 101      | 1 024                 | 50 : 50                           |
| 110      | 1                     | 50 : 50                           |
| 111      | CLKOUT = high-Z       | -                                 |

- [1] Duty cycle definition: % HIGH-level time : % LOW-level time.
- [2] Default value.
- [3] The specified accuracy of the RTC can be only achieved with CLKOUT frequencies not equal to 32.768 kHz or if CLKOUT is disabled.

The duty cycle of the selected clock is not controlled, however, due to the nature of the clock generation all but the 32.768 kHz frequencies are 50 : 50.

### 7.4 Register Aging\_offset

Table 15. Aging\_offset - crystal aging offset register (address 19h) bit allocation

Bit positions labeled as - are not implemented and return 0 when read.

| Bit         | 7 | 6 | 5 | 4 | 3       | 2 | 1 | 0 |
|-------------|---|---|---|---|---------|---|---|---|
| Symbol      | - | - | - | - | AO[3:0] |   |   |   |
| Reset value | - | - | - | - | 1       | 0 | 0 | 0 |

Table 16. Aging\_offset - crystal aging offset register (address 19h) bit description

Bit positions labeled as - are not implemented and return 0 when read.

| Bit    | Symbol  | Value                        | Description        |
|--------|---------|------------------------------|--------------------|
| 7 to 4 | -       | -                            | unused             |
| 3 to 0 | AO[3:0] | see <a href="#">Table 17</a> | aging offset value |

#### 7.4.1 Crystal aging correction

The PCF2129 has an offset register Aging\_offset to correct the crystal aging effects<sup>2</sup>.

The accuracy of the frequency of a quartz crystal depends on its aging. The aging offset adds an adjustment, positive or negative, in the temperature compensation circuit which allows correcting the aging effect.

At 25 °C, the aging offset bits allow a frequency correction of typically 1 ppm per AO[3:0] value, from -7 ppm to +8 ppm.

Table 17. Frequency correction at 25 °C, typical

| AO[3:0] |        | ppm |
|---------|--------|-----|
| Decimal | Binary |     |
| 0       | 0000   | +8  |
| 1       | 0001   | +7  |
| 2       | 0010   | +6  |

<sup>2</sup> For further information, refer to the application note [\[1\]](#).

Table 17. Frequency correction at 25 °C, typical...continued

| AO[3:0] |        | ppm              |
|---------|--------|------------------|
| Decimal | Binary |                  |
| 3       | 0011   | +5               |
| 4       | 0100   | +4               |
| 5       | 0101   | +3               |
| 6       | 0110   | +2               |
| 7       | 0111   | +1               |
| 8       | 1000   | <sup>[1]</sup> 0 |
| 9       | 1001   | -1               |
| 10      | 1010   | -2               |
| 11      | 1011   | -3               |
| 12      | 1100   | -4               |
| 13      | 1101   | -5               |
| 14      | 1110   | -6               |
| 15      | 1111   | -7               |

[1] Default value.

## 7.5 Power management functions

The PCF2129 has two power supplies:

### **V<sub>DD</sub>**

the main power supply

### **V<sub>BAT</sub>**

the battery backup supply

Internally, the PCF2129 is operating with the internal operating voltage  $V_{oper(int)}$  which is also available as  $V_{BBS}$  on the battery backed output voltage pin, BBS. Depending on the condition of the main power supply and the selected power management function,  $V_{oper(int)}$  is either on the potential of  $V_{DD}$  or  $V_{BAT}$  (see [Section 7.5.3](#)).

Two power management functions are implemented:

#### **Battery switch-over function**

monitoring the main power supply  $V_{DD}$  and switching to  $V_{BAT}$  in case a power fail condition is detected (see [Section 7.5.1](#)).

#### **Battery low detection function**

monitoring the status of the battery,  $V_{BAT}$  (see [Section 7.5.2](#)).

The power management functions are controlled by the control bits PWRMNG[2:0] (see [Table 18](#)) in register Control\_3 (see [Table 10](#)):

Table 18. Power management control bit description

| PWRMNG[2:0] |     | Function  |
|-------------|-----|---|
| 000         | [1] | battery switch-over function is enabled in standard mode;<br>battery low detection function is enabled                      |
| 001         |     | battery switch-over function is enabled in standard mode;<br>battery low detection function is disabled                     |
| 010         |     | battery switch-over function is enabled in standard mode;<br>battery low detection function is disabled                     |
| 011         |     | battery switch-over function is enabled in direct switching mode;<br>battery low detection function is enabled              |
| 100         |     | battery switch-over function is enabled in direct switching mode;<br>battery low detection function is disabled             |
| 101         |     | battery switch-over function is enabled in direct switching mode;<br>battery low detection function is disabled             |
| 111         | [2] | battery switch-over function is disabled, only one power supply ( $V_{DD}$ );<br>battery low detection function is disabled |

[1] Default value.

[2] When the battery switch-over function is disabled, the PCF2129 works only with the power supply  $V_{DD}$ .  $V_{BAT}$  must be put to ground and the battery low detection function is disabled.

### 7.5.1 Battery switch-over function

The PCF2129 has a backup battery switch-over circuit which monitors the main power supply  $V_{DD}$ . When a power failure condition is detected, it automatically switches to the backup battery.

One of two operation modes can be selected:

#### Standard mode

the power failure condition happens when:

$$V_{DD} < V_{BAT} \text{ AND } V_{DD} < V_{th(sw)bat}$$

$V_{th(sw)bat}$  is the battery switch threshold voltage. Typical value is 2.5 V. The battery switch-over in standard mode works only for  $V_{DD} > 2.5 \text{ V}$

#### Direct switching mode

the power failure condition happens when  $V_{DD} < V_{BAT}$ . Direct switching from  $V_{DD}$  to  $V_{BAT}$  without requiring  $V_{DD}$  to drop below  $V_{th(sw)bat}$

When a power failure condition occurs and the power supply switches to the battery, the following sequence occurs:

1. The battery switch flag BF (register Control\_3) is set logic 1.
2. An interrupt is generated if the control bit BIE (register Control\_3) is enabled (see [Section 7.12.6](#)).
3. If the control bit BTSE (register Control\_3) is logic 1, the timestamp registers store the time and date when the battery switch occurred (see [Section 7.11.4](#)).
4. The battery switch flag BF is cleared by command; it must be cleared to clear the interrupt.

The interface is disabled in battery backup operation:

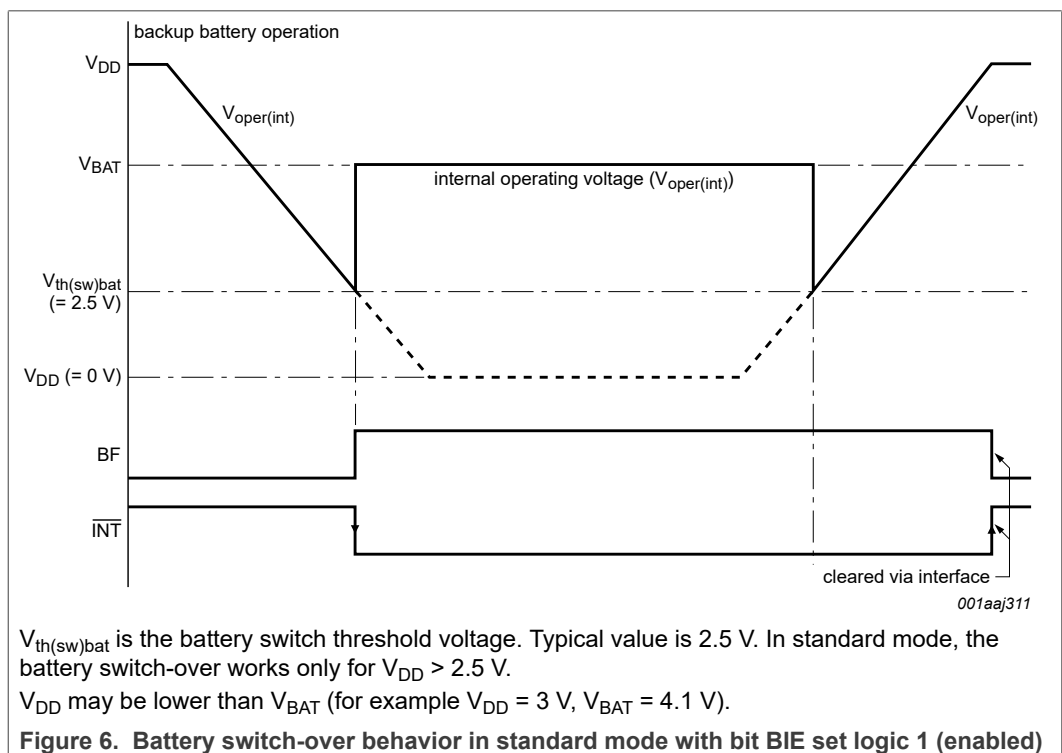
- Interface inputs are not recognized, preventing extraneous data being written to the device
- Interface outputs are high-impedance

For further information about I<sup>2</sup>C-bus communication and battery backup operation, see [Section 8.3](#).

**7.5.1.1 Standard mode**

If  $V_{DD} > V_{BAT}$  OR  $V_{DD} > V_{th(sw)bat}$ :  $V_{oper(int)}$  is at  $V_{DD}$  potential.

If  $V_{DD} < V_{BAT}$  AND  $V_{DD} < V_{th(sw)bat}$ :  $V_{oper(int)}$  is at  $V_{BAT}$  potential.



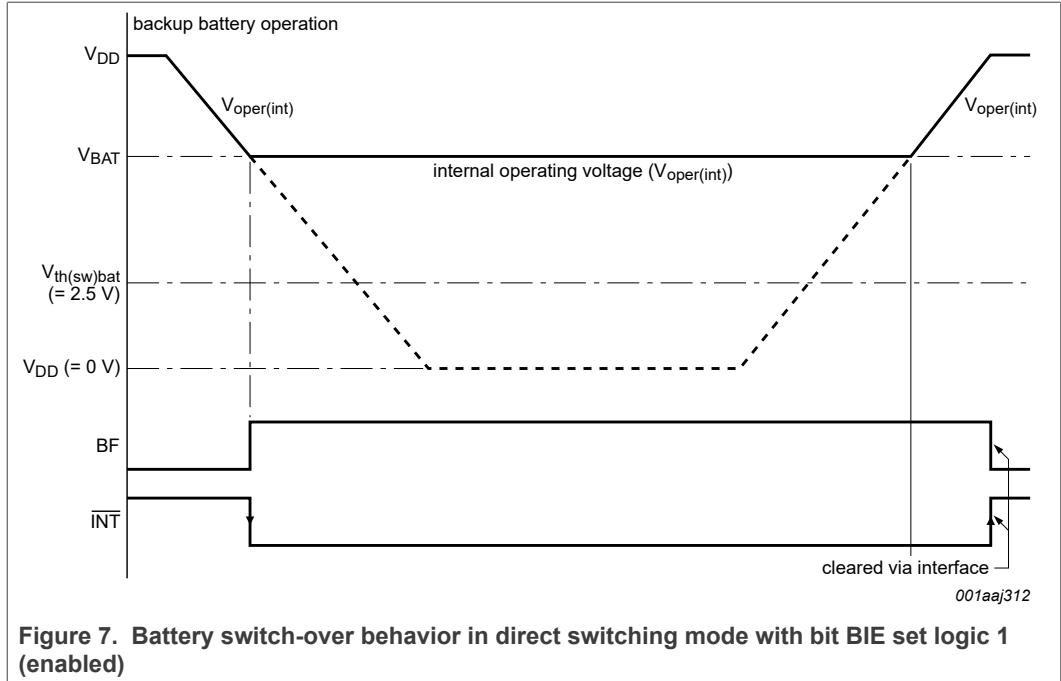
**7.5.1.2 Direct switching mode**

If  $V_{DD} > V_{BAT}$ :  $V_{oper(int)}$  is at  $V_{DD}$  potential.

If  $V_{DD} < V_{BAT}$ :  $V_{oper(int)}$  is at  $V_{BAT}$  potential.

The direct switching mode is useful in systems where  $V_{DD}$  is always higher than  $V_{BAT}$ . This mode is not recommended if the  $V_{DD}$  and  $V_{BAT}$  values are similar (for example,  $V_{DD} = 3.3$  V,  $V_{BAT} \geq 3.0$  V). In direct switching mode, the power consumption is reduced compared to the standard mode because the monitoring of  $V_{DD}$  and  $V_{th(sw)bat}$  is not performed.





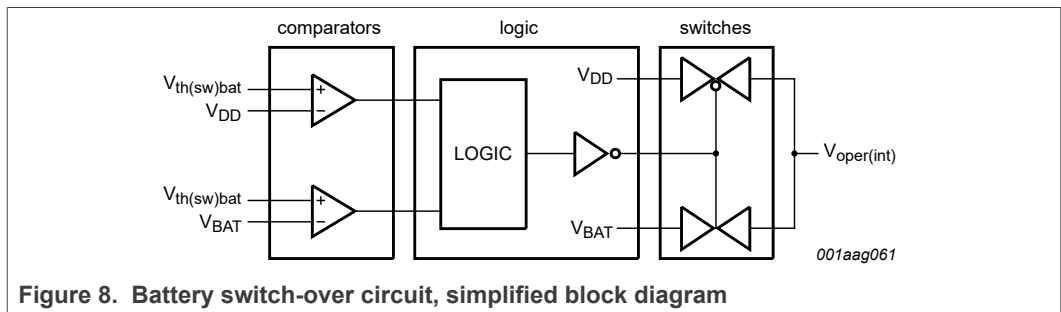
**7.5.1.3 Battery switch-over disabled: only one power supply (V<sub>DD</sub>)**

When the battery switch-over function is disabled:

- The power supply is applied on the V<sub>DD</sub> pin
- The V<sub>BAT</sub> pin must be connected to ground
- V<sub>oper(int)</sub> is at V<sub>DD</sub> potential
- The battery flag (BF) is always logic 0

**7.5.1.4 Battery switch-over architecture**

The architecture of the battery switch-over circuit is shown in [Figure 8](#).



V<sub>oper(int)</sub> is at V<sub>DD</sub> or V<sub>BAT</sub> potential.

**Remark:** It has to be assured that there are decoupling capacitors on the pins V<sub>DD</sub>, V<sub>BAT</sub>, and BBS.

**7.5.2 Battery low detection function**

The PCF2129 has a battery low detection circuit which monitors the status of the battery V<sub>BAT</sub>.

When  $V_{BAT}$  drops below the threshold value  $V_{th(bat)low}$  (typically 2.5 V), the BLF flag (register Control\_3) is set to indicate that the battery is low and that it must be replaced. Monitoring of the battery voltage also occurs during battery operation.

An unreliable battery cannot prevent that the supply voltage drops below  $V_{low}$  (typical 1.2 V) and with that the data integrity gets lost. (For further information about  $V_{low}$  see [Section 7.6.](#))

When  $V_{BAT}$  drops below the threshold value  $V_{th(bat)low}$ , the following sequence occurs (see [Figure 9](#)):

1. The battery low flag BLF is set logic 1.
2. An interrupt is generated if the control bit BLIE (register Control\_3) is enabled (see [Section 7.12.7](#)).
3. The flag BLF remains logic 1 until the battery is replaced. BLF cannot be cleared by command. It is automatically cleared by the battery low detection circuit when the battery is replaced or when the voltage rises again above the threshold value. This could happen if a super capacitor is used as a backup source and the main power is applied again.

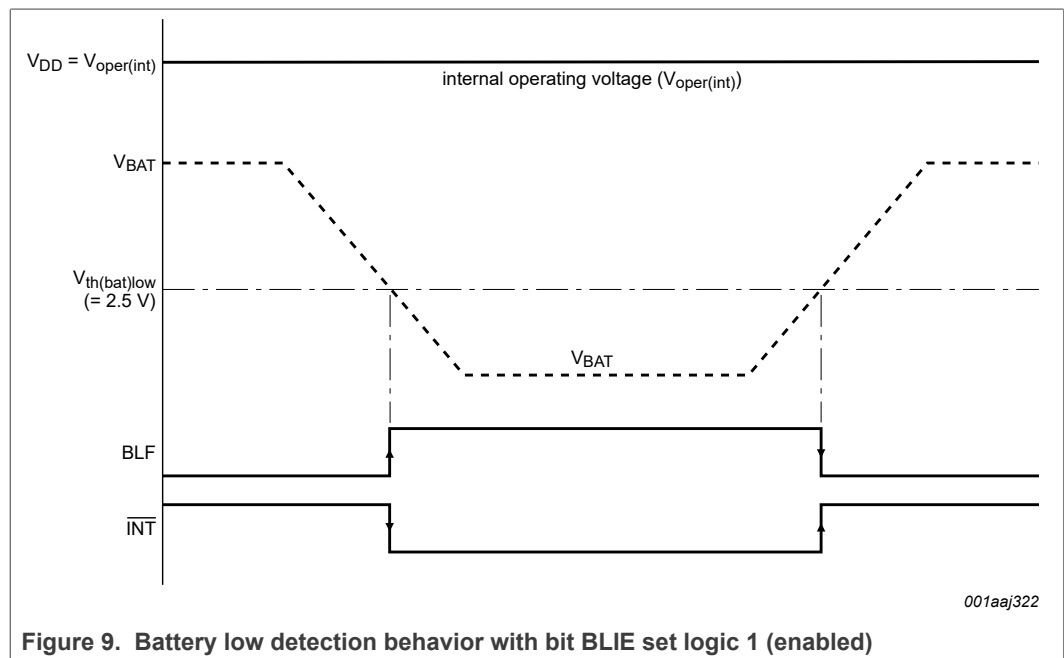


Figure 9. Battery low detection behavior with bit BLIE set logic 1 (enabled)

### 7.5.3 Battery backup supply

The  $V_{BBS}$  voltage on the output pin BBS is at the same potential as the internal operating voltage  $V_{oper(int)}$ , depending on the selected battery switch-over function mode:

Table 19. Output pin BBS

| Battery switch-over function mode | Conditions                                      | Potential of $V_{oper(int)}$ and $V_{BBS}$ |
|-----------------------------------|---|--|
| standard                          | $V_{DD} > V_{BAT}$ OR $V_{DD} > V_{th(sw)bat}$  | $V_{DD}$                                   |
|                                   | $V_{DD} < V_{BAT}$ AND $V_{DD} < V_{th(sw)bat}$ | $V_{BAT}$                                  |
| direct switching                  | $V_{DD} > V_{BAT}$                              | $V_{DD}$                                   |

Table 19. Output pin BBS...continued

| Battery switch-over function mode | Conditions   | Potential of $V_{oper(int)}$ and $V_{BBS}$ |
|-----------------------------------|--|--|
|                                   | $V_{DD} < V_{BAT}$                                       | $V_{BAT}$                                  |
| disabled                          | only $V_{DD}$ available, $V_{BAT}$ must be put to ground | $V_{DD}$                                   |

The output pin BBS can be used as a supply for external devices with battery backup needs, such as SRAM (see [1]). For this case, Figure 10 shows the typical driving capability when  $V_{BBS}$  is driven from  $V_{DD}$ .

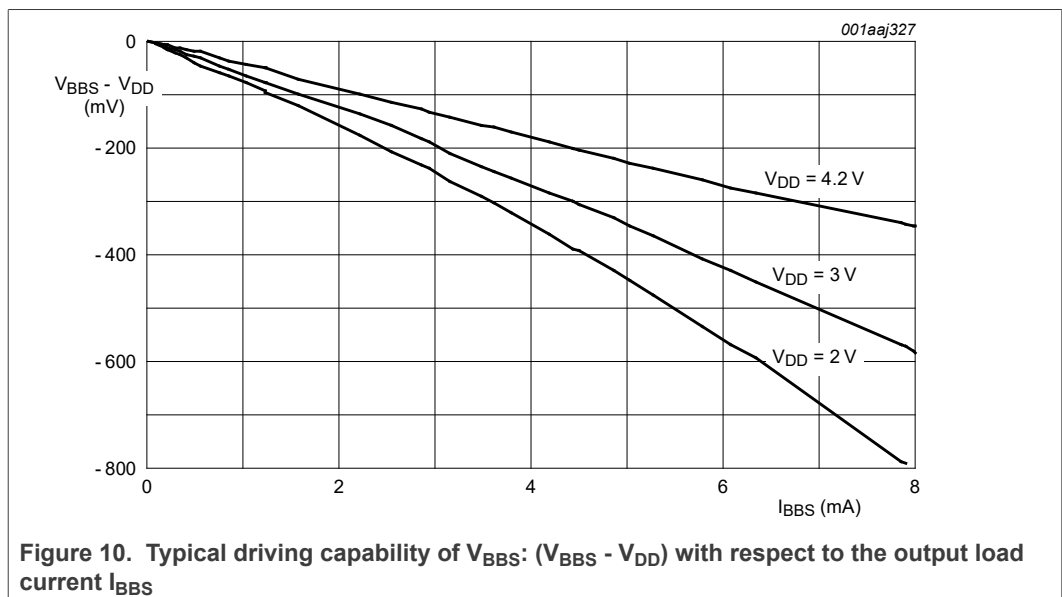


Figure 10. Typical driving capability of  $V_{BBS}$ : ( $V_{BBS} - V_{DD}$ ) with respect to the output load current  $I_{BBS}$

## 7.6 Oscillator stop detection function

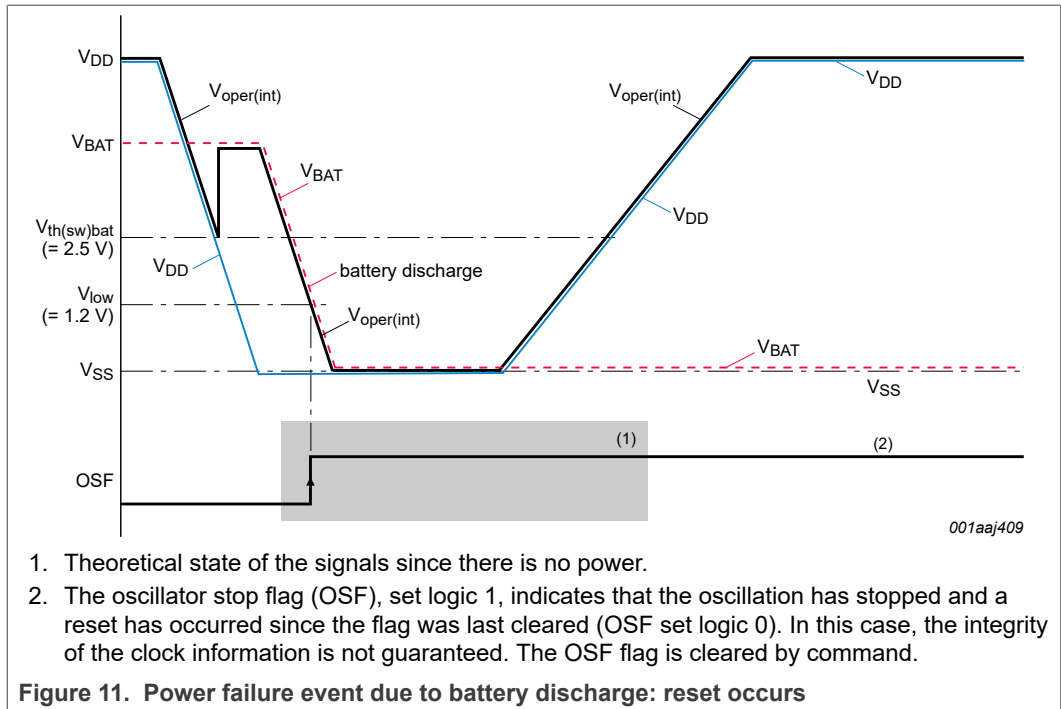
The PCF2129 has an on-chip oscillator detection circuit which monitors the status of the oscillation: whenever the oscillation stops, a reset occurs and the oscillator stop flag OSF (in register Seconds) is set logic 1.

- **Power-on:**

1. The oscillator is not running, the chip is in reset (OSF is logic 1).
2. When the oscillator starts running and is stable after power-on, the chip exits from reset.
3. The flag OSF is still logic 1 and can be cleared (OSF set logic 0) by command.

- **Power supply failure:**

1. When the power supply of the chip drops below a certain value ( $V_{low}$ ), typically 1.2 V, the oscillator stops running and a reset occurs.
2. When the power supply returns to normal operation, the oscillator starts running again, the chip exits from reset.
3. The flag OSF is still logic 1 and can be cleared (OSF set logic 0) by command.



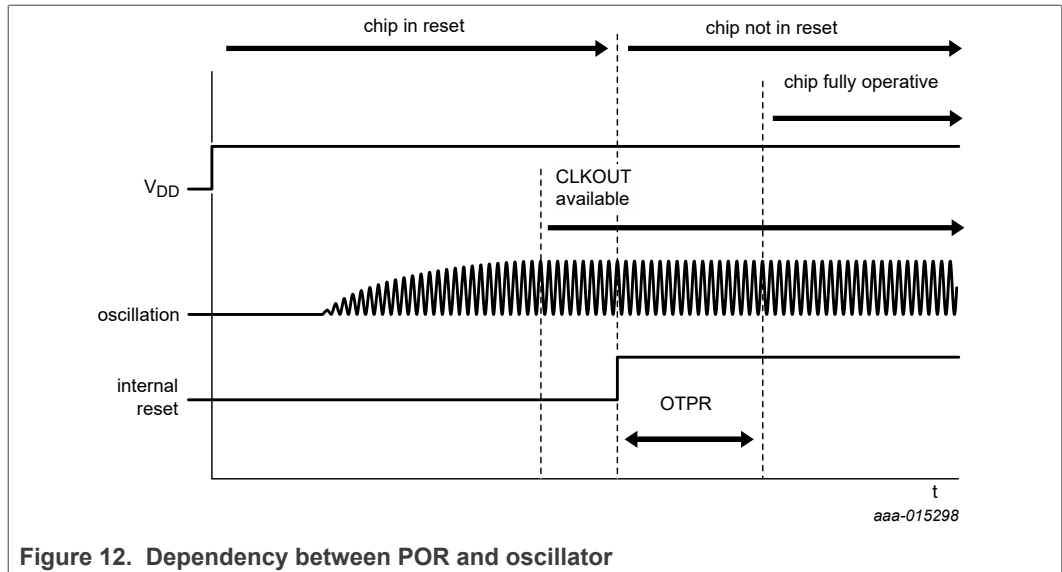
## 7.7 Reset function

The PCF2129 has a Power-On Reset (POR) and a Power-On Reset Override (PORO) function implemented.

### 7.7.1 Power-On Reset (POR)

The POR is active whenever the oscillator is stopped. The oscillator is considered to be stopped during the time between power-on and stable crystal resonance (see [Figure 12](#)). This time may be in the range of 200 ms to 2 s depending on temperature and supply voltage. Whenever an internal reset occurs, the oscillator stop flag is set (OSF set logic 1).

The OTP refresh (see [Section 7.3.2](#)) should ideally be executed as the first instruction after start-up and also after a reset due to an oscillator stop.



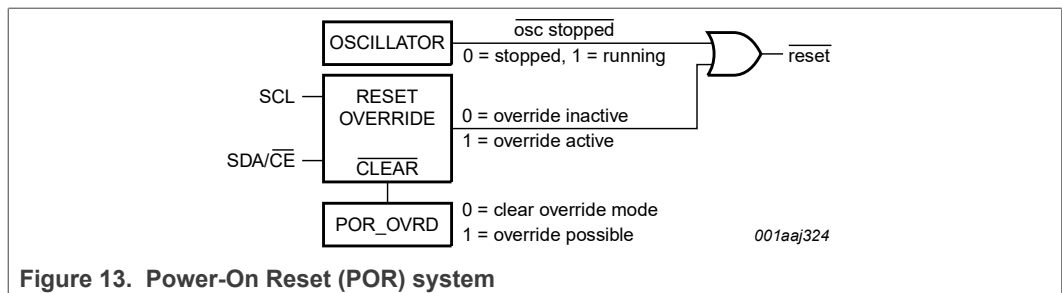
After POR, the following mode is entered:

- 32.768 kHz CLKOUT active
- Power-On Reset Override (PORO) available to be set
- 24-hour mode is selected
- Battery switch-over is enabled
- Battery low detection is enabled

The register values after power-on are shown in [Table 4](#).

### 7.7.2 Power-On Reset Override (PORO)

The POR duration is directly related to the crystal oscillator start-up time. Due to the long start-up times experienced by these types of circuits, a mechanism has been built in to disable the POR and therefore speed up the on-board test of the device.



The setting of the PORO mode requires that POR\_OVRD in register Control\_1 is set logic 1 and that the signals at the interface pins SDA/CLE and SCL are toggled as illustrated in [Figure 14](#). All timings shown are required minimum.

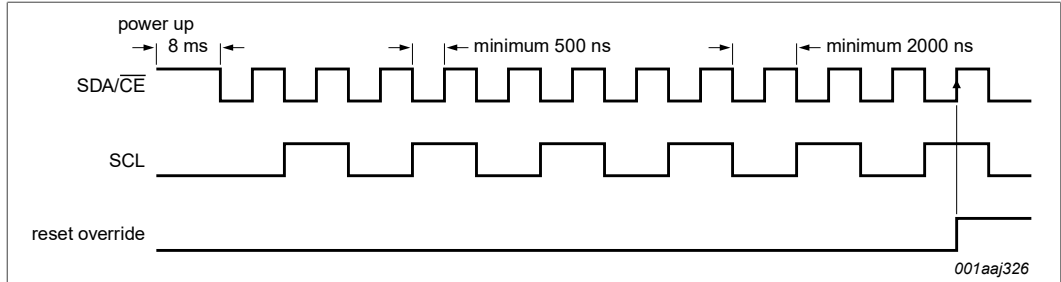


Figure 14. Power-On Reset Override (PORO) sequence, valid for both I<sup>2</sup>C-bus and SPI-bus

Once the override mode is entered, the device is immediately released from the reset state and the set-up operation can commence.

The PORO mode is cleared by writing logic 0 to POR\_OVRD. POR\_OVRD must be logic 1 before a re-entry into the override mode is possible. Setting POR\_OVRD logic 0 during normal operation has no effect except to prevent accidental entry into the PORO mode.

### 7.8 Time and date function

Most of these registers are coded in the Binary Coded Decimal (BCD) format.

#### 7.8.1 Register Seconds

Table 20. Seconds - seconds and clock integrity register (address 03h) bit allocation

Bits labeled as X are undefined at power-on and unchanged by subsequent resets.

| Bit         | 7   | 6                 | 5 | 4 | 3 | 2 | 1 | 0 |
|-------------|-----|-------------------|---|---|---|---|---|---|
| Symbol      | OSF | SECONDS (0 to 59) |   |   |   |   |   |   |
| Reset value | 1   | X                 | X | X | X | X | X | X |

Table 21. Seconds - seconds and clock integrity register (address 03h) bit description

Bits labeled as X are undefined at power-on and unchanged by subsequent resets.

| Bit    | Symbol  | Value  | Place value | Description  |
|--------|---------|--------|-------------|--|
| 7      | OSF     | 0      | -           | clock integrity is guaranteed  |
|        |         | 1      | -           | clock integrity is not guaranteed:<br>oscillator has stopped and chip reset has occurred since flag was last cleared |
| 6 to 4 | SECONDS | 0 to 5 | ten's place | actual seconds coded in BCD format   |
| 3 to 0 |         | 0 to 9 | unit place  |  |

Table 22. Seconds coded in BCD format

| Seconds value in decimal | Upper-digit (ten's place) |       |       | Digit (unit place) |       |       |       |
|--------------------------|---------------------------|-------|-------|--------------------|-------|-------|-------|
|                          | Bit 6                     | Bit 5 | Bit 4 | Bit 3              | Bit 2 | Bit 1 | Bit 0 |
| 00                       | 0                         | 0     | 0     | 0                  | 0     | 0     | 0     |

Table 22. Seconds coded in BCD format...continued

| Seconds value in decimal | Upper-digit (ten's place) |       |       | Digit (unit place) |       |       |       |
|--------------------------|---------------------------|-------|-------|--------------------|-------|-------|-------|
|                          | Bit 6                     | Bit 5 | Bit 4 | Bit 3              | Bit 2 | Bit 1 | Bit 0 |
| 01                       | 0                         | 0     | 0     | 0                  | 0     | 0     | 1     |
| 02                       | 0                         | 0     | 0     | 0                  | 0     | 1     | 0     |
| :                        | :                         | :     | :     | :                  | :     | :     | :     |
| 09                       | 0                         | 0     | 0     | 1                  | 0     | 0     | 1     |
| 10                       | 0                         | 0     | 1     | 0                  | 0     | 0     | 0     |
| :                        | :                         | :     | :     | :                  | :     | :     | :     |
| 58                       | 1                         | 0     | 1     | 1                  | 0     | 0     | 0     |
| 59                       | 1                         | 0     | 1     | 1                  | 0     | 0     | 1     |

### 7.8.2 Register Minutes

Table 23. Minutes - minutes register (address 04h) bit allocation

Bit positions labeled as - are not implemented and return 0 when read. Bits labeled as X are undefined at power-on and unchanged by subsequent resets.

| Bit         | 7 | 6                 | 5 | 4 | 3 | 2 | 1 | 0 |
|-------------|---|-------------------|---|---|---|---|---|---|
| Symbol      | - | MINUTES (0 to 59) |   |   |   |   |   |   |
| Reset value | - | X                 | X | X | X | X | X | X |

Table 24. Minutes - minutes register (address 04h) bit description

Bit positions labeled as - are not implemented and return 0 when read. Bits labeled as X are undefined at power-on and unchanged by subsequent resets.

| Bit    | Symbol  | Value  | Place value | Description                        |
|--------|---------|--------|-------------|------------------------------------|
| 7      | -       | -      | -           | unused                             |
| 6 to 4 | MINUTES | 0 to 5 | ten's place | actual minutes coded in BCD format |
| 3 to 0 |         | 0 to 9 | unit place  |                                    |

### 7.8.3 Register Hours

Table 25. Hours - hours register (address 05h) bit allocation

Bit positions labeled as - are not implemented and return 0 when read. Bits labeled as X are undefined at power-on and unchanged by subsequent resets.

| Bit         | 7 | 6 | 5    | 4                               | 3 | 2 | 1 | 0 |
|-------------|---|---|------|---------------------------------|---|---|---|---|
| Symbol      | - | - | AMPM | HOURS (1 to 12) in 12-hour mode |   |   |   |   |
|             |   |   |      | HOURS (0 to 23) in 24-hour mode |   |   |   |   |
| Reset value | - | - | X    | X                               | X | X | X | X |

**Table 26. Hours - hours register (address 05h) bit description**

Bit positions labeled as - are not implemented and return 0 when read. Bits labeled as X are undefined at power-on and unchanged by subsequent resets.

| Bit                               | Symbol | Value  | Place value | Description   |
|-----------------------------------|--------|--------|-------------|---|
| 7 to 6                            | -      | -      | -           | unused  |
| <b>12-hour mode<sup>[1]</sup></b> |        |        |             |   |
| 5                                 | AMPM   | 0      | -           | indicates AM  |
|                                   |        | 1      | -           | indicates PM  |
| 4                                 | HOURS  | 0 to 1 | ten's place | actual hours coded in BCD format when in 12-hour mode |
| 3 to 0                            |        | 0 to 9 | unit place  |   |
| <b>24-hour mode<sup>[1]</sup></b> |        |        |             |   |
| 5 to 4                            | HOURS  | 0 to 2 | ten's place | actual hours coded in BCD format when in 24-hour mode |
| 3 to 0                            |        | 0 to 9 | unit place  |   |

[1] Hour mode is set by the bit 12\_24 in register Control\_1 (see Table 6).

### 7.8.4 Register Days

**Table 27. Days - days register (address 06h) bit allocation**

Bit positions labeled as - are not implemented and return 0 when read. Bits labeled as X are undefined at power-on and unchanged by subsequent resets.

| Bit         | 7 | 6 | 5              | 4 | 3 | 2 | 1 | 0 |
|-------------|---|---|----------------|---|---|---|---|---|
| Symbol      | - | - | DAYS (1 to 31) |   |   |   |   |   |
| Reset value | - | - | X              | X | X | X | X | X |

**Table 28. Days - days register (address 06h) bit description**

| Bit    | Symbol              | Value  | Place value | Description                    |
|--------|---------------------|--------|-------------|--------------------------------|
| 7 to 6 | -                   | -      | -           | unused                         |
| 5 to 4 | DAYS <sup>[1]</sup> | 0 to 3 | ten's place | actual day coded in BCD format |
| 3 to 0 |                     | 0 to 9 | unit place  |                                |

[1] If the year counter contains a value which is exactly divisible by 4, including the year 00, the RTC compensates for leap years by adding a 29<sup>th</sup> day to February.

### 7.8.5 Register Weekdays

**Table 29. Weekdays - weekdays register (address 07h) bit allocation**

Bit positions labeled as - are not implemented and return 0 when read. Bits labeled as X are undefined at power-on and unchanged by subsequent resets.

| Bit         | 7 | 6 | 5 | 4 | 3 | 2                 | 1 | 0 |
|-------------|---|---|---|---|---|-------------------|---|---|
| Symbol      | - | - | - | - | - | WEEKDAYS (0 to 6) |   |   |
| Reset value | - | - | - | - | - | X                 | X | X |



**Table 30. Weekdays - weekdays register (address 07h) bit description**

Bit positions labeled as - are not implemented and return 0 when read. Bits labeled as X are undefined at power-on and unchanged by subsequent resets.

| Bit    | Symbol   | Value  | Description  |
|--------|----------|--------|--|
| 7 to 3 | -        | -      | unused   |
| 2 to 0 | WEEKDAYS | 0 to 6 | actual weekday value, see <a href="#">Table 31</a> |

Although the association of the weekdays counter to the actual weekday is arbitrary, the PCF2129 assumes that Sunday is 000 and Monday is 001 for the purpose of determining the increment for calendar weeks.

**Table 31. Weekday assignments**

| Day <sup>[1]</sup> | Bit |   |   |
|--------------------|-----|---|---|
|                    | 2   | 1 | 0 |
| Sunday             | 0   | 0 | 0 |
| Monday             | 0   | 0 | 1 |
| Tuesday            | 0   | 1 | 0 |
| Wednesday          | 0   | 1 | 1 |
| Thursday           | 1   | 0 | 0 |
| Friday             | 1   | 0 | 1 |
| Saturday           | 1   | 1 | 0 |

[1] Definition may be reassigned by the user.

### 7.8.6 Register Months

**Table 32. Months - months register (address 08h) bit allocation**

Bit positions labeled as - are not implemented and return 0 when read. Bits labeled as X are undefined at power-on and unchanged by subsequent resets.

| Bit         | 7 | 6 | 5 | 4                | 3 | 2 | 1 | 0 |
|-------------|---|---|---|------------------|---|---|---|---|
| Symbol      | - | - | - | MONTHS (1 to 12) |   |   |   |   |
| Reset value | - | - | - | X                | X | X | X | X |

**Table 33. Months - months register (address 08h) bit description**

Bit positions labeled as - are not implemented and return 0 when read. Bits labeled as X are undefined at power-on and unchanged by subsequent resets.

| Bit    | Symbol | Value  | Place value | Description  |
|--------|--------|--------|-------------|--|
| 7 to 5 | -      | -      | -           | unused   |
| 4      | MONTHS | 0 to 1 | ten's place | actual month coded in BCD format, see <a href="#">Table 34</a> |
| 3 to 0 |        | 0 to 9 | unit place  |  |

Table 34. Month assignments in BCD format

| Month     | Upper-digit<br>(ten's place) | Digit (unit place) |       |       |       |
|-----------|------------------------------|--------------------|-------|-------|-------|
|           | Bit 4                        | Bit 3              | Bit 2 | Bit 1 | Bit 0 |
| January   | 0                            | 0                  | 0     | 0     | 1     |
| February  | 0                            | 0                  | 0     | 1     | 0     |
| March     | 0                            | 0                  | 0     | 1     | 1     |
| April     | 0                            | 0                  | 1     | 0     | 0     |
| May       | 0                            | 0                  | 1     | 0     | 1     |
| June      | 0                            | 0                  | 1     | 1     | 0     |
| July      | 0                            | 0                  | 1     | 1     | 1     |
| August    | 0                            | 1                  | 0     | 0     | 0     |
| September | 0                            | 1                  | 0     | 0     | 1     |
| October   | 1                            | 0                  | 0     | 0     | 0     |
| November  | 1                            | 0                  | 0     | 0     | 1     |
| December  | 1                            | 0                  | 0     | 1     | 0     |

### 7.8.7 Register Years

Table 35. Years - years register (address 09h) bit allocation

Bits labeled as X are undefined at power-on and unchanged by subsequent resets.

| Bit         | 7               | 6 | 5 | 4 | 3 | 2 | 1 | 0 |
|-------------|-----------------|---|---|---|---|---|---|---|
| Symbol      | YEARS (0 to 99) |   |   |   |   |   |   |   |
| Reset value | X               | X | X | X | X | X | X | X |

Table 36. Years - years register (address 09h) bit description

Bits labeled as X are undefined at power-on and unchanged by subsequent resets.

| Bit    | Symbol | Value  | Place value | Description                     |
|--------|--------|--------|-------------|---------------------------------|
| 7 to 4 | YEARS  | 0 to 9 | ten's place | actual year coded in BCD format |
| 3 to 0 |        | 0 to 9 | unit place  |                                 |

### 7.8.8 Setting and reading the time

Figure 15 shows the data flow and data dependencies starting from the 1 Hz clock tick.

During read/write operations, the time counting circuits (memory locations 03h through 09h) are blocked.

This prevents

- Faulty reading of the clock and calendar during a carry condition
- Incrementing the time registers during the read cycle

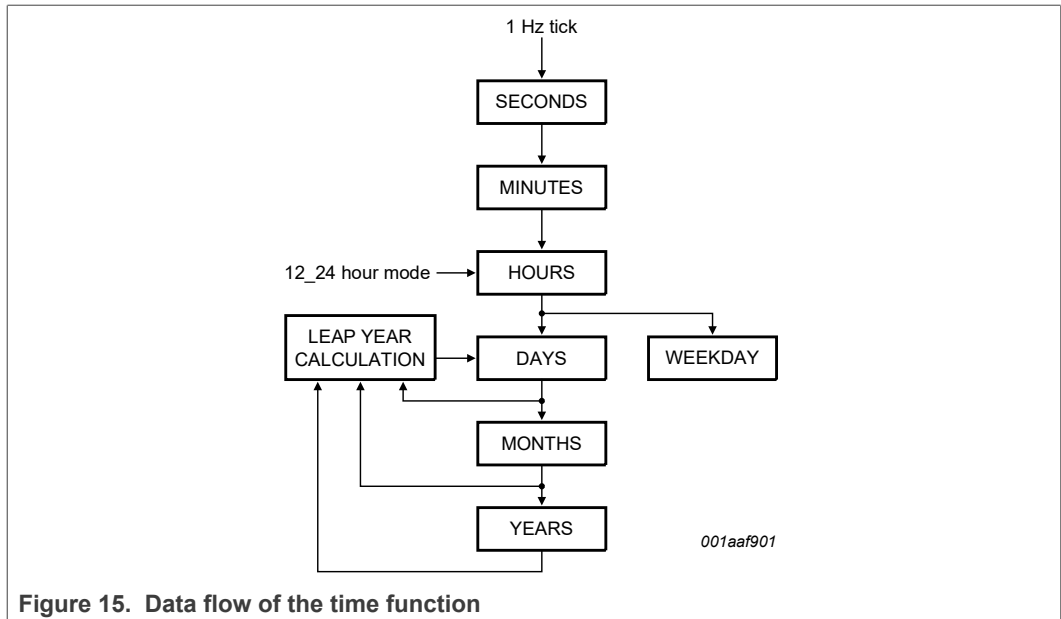


Figure 15. Data flow of the time function

After this read/write access is completed, the time circuit is released again. Any pending request to increment the time counters that occurred during the read/write access is serviced. A maximum of 1 request can be stored; therefore, all accesses must be completed within 1 second (see Figure 16).

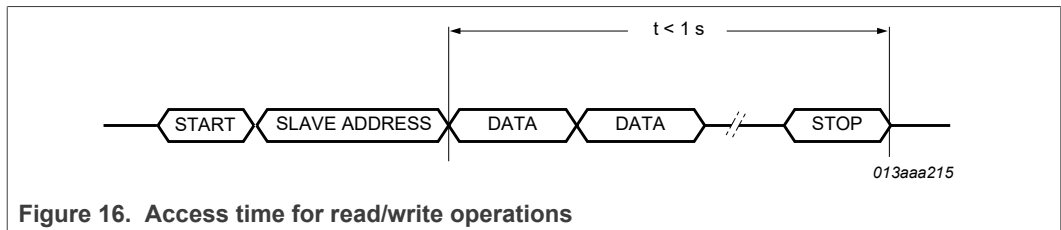


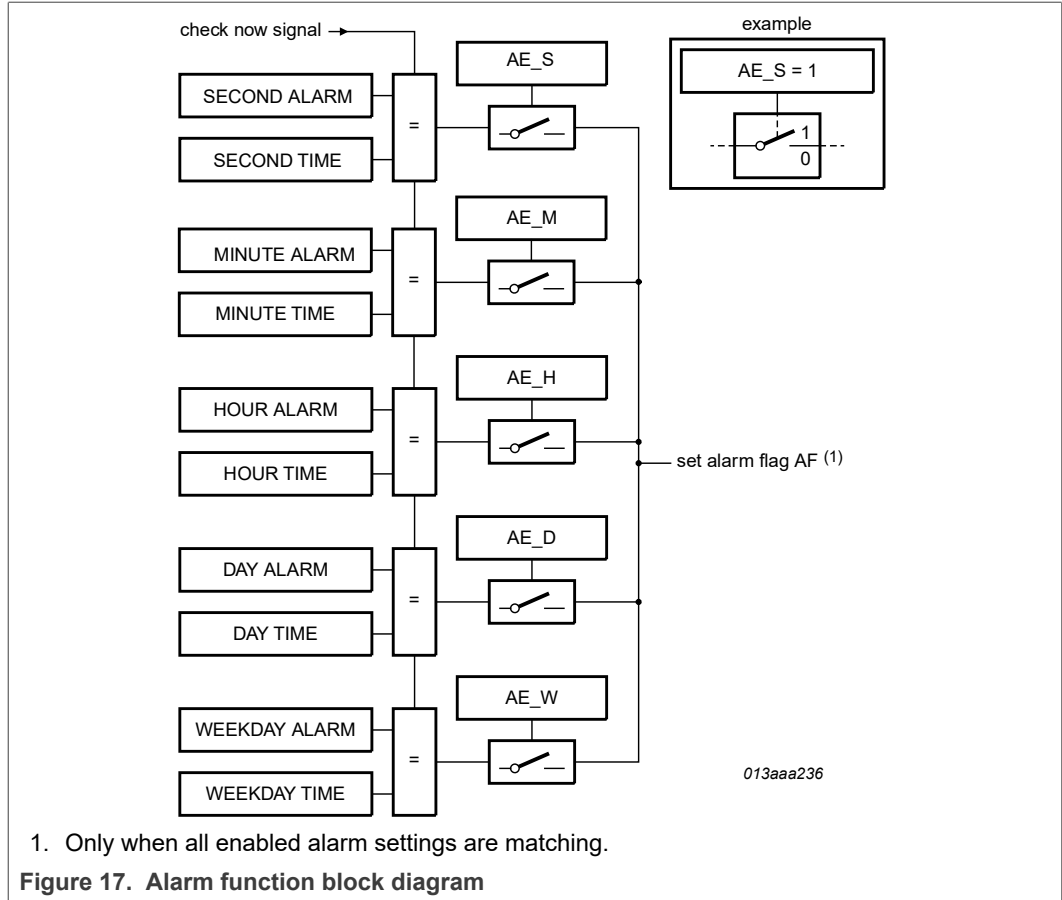
Figure 16. Access time for read/write operations

As a consequence of this method, it is very important to make a read or write access in one go. That is, setting or reading seconds through to years should be made in one single access. Failing to comply with this method could result in the time becoming corrupted.

As an example, if the time (seconds through to hours) is set in one access and then in a second access the date is set, it is possible that the time may increment between the two accesses. A similar problem exists when reading. A roll-over may occur between reads thus giving the minutes from one moment and the hours from the next. Therefore it is advised to read all time and date registers in one access.

### 7.9 Alarm function

When one or more of the alarm bit fields are loaded with a valid second, minute, hour, day, or weekday and its corresponding alarm enable bit (AE\_x) is logic 0, then that information is compared with the actual second, minute, hour, day, and weekday (see Figure 17).



The generation of interrupts from the alarm function is described in [Section 7.12.4](#).

**7.9.1 Register Second\_alarm**

**Table 37. Second\_alarm - second alarm register (address 0Ah) bit allocation**  
 Bits labeled as X are undefined at power-on and unchanged by subsequent resets.

| Bit         | 7    | 6                      | 5 | 4 | 3 | 2 | 1 | 0 |
|-------------|------|------------------------|---|---|---|---|---|---|
| Symbol      | AE_S | SECOND_ALARM (0 to 59) |   |   |   |   |   |   |
| Reset value | 1    | X                      | X | X | X | X | X | X |

**Table 38. Second\_alarm - second alarm register (address 0Ah) bit description**

| Bit    | Symbol       | Value  | Place value | Description                                  |
|--------|--------------|--------|-------------|--|
| 7      | AE_S         | 0      | -           | second alarm is enabled                      |
|        |              | 1      | -           | second alarm is disabled                     |
| 6 to 4 | SECOND_ALARM | 0 to 5 | ten's place | second alarm information coded in BCD format |
| 3 to 0 |              | 0 to 9 | unit place  |  |

7.9.2 Register Minute\_alarm

Table 39. Minute\_alarm - minute alarm register (address 0Bh) bit allocation

Bits labeled as X are undefined at power-on and unchanged by subsequent resets.

| Bit         | 7    | 6                      | 5 | 4 | 3 | 2 | 1 | 0 |
|-------------|------|------------------------|---|---|---|---|---|---|
| Symbol      | AE_M | MINUTE_ALARM (0 to 59) |   |   |   |   |   |   |
| Reset value | 1    | X                      | X | X | X | X | X | X |

Table 40. Minute\_alarm - minute alarm register (address 0Bh) bit description

Bits labeled as X are undefined at power-on and unchanged by subsequent resets.

| Bit    | Symbol       | Value  | Place value | Description                                  |
|--------|--------------|--------|-------------|--|
| 7      | AE_M         | 0      | -           | minute alarm is enabled                      |
|        |              | 1      | -           | minute alarm is disabled                     |
| 6 to 4 | MINUTE_ALARM | 0 to 5 | ten's place | minute alarm information coded in BCD format |
| 3 to 0 |              | 0 to 9 | unit place  |  |

7.9.3 Register Hour\_alarm

Table 41. Hour\_alarm - hour alarm register (address 0Ch) bit allocation

Bit positions labeled as - are not implemented and return 0 when read. Bits labeled as X are undefined at power-on and unchanged by subsequent resets.

| Bit         | 7    | 6 | 5                                    | 4                                    | 3 | 2 | 1 | 0 |
|-------------|------|---|--------------------------------------|--------------------------------------|---|---|---|---|
| Symbol      | AE_H | - | AMPM                                 | HOUR_ALARM (1 to 12) in 12-hour mode |   |   |   |   |
|             |      |   | HOUR_ALARM (0 to 23) in 24-hour mode |                                      |   |   |   |   |
| Reset value | 1    | - | X                                    | X                                    | X | X | X | X |

Table 42. Hour\_alarm - hour alarm register (address 0Ch) bit description

Bit positions labeled as - are not implemented and return 0 when read. Bits labeled as X are undefined at power-on and unchanged by subsequent resets.

| Bit                               | Symbol     | Value  | Place value | Description   |
|-----------------------------------|------------|--------|-------------|---|
| 7                                 | AE_H       | 0      | -           | hour alarm is enabled   |
|                                   |            | 1      | -           | hour alarm is disabled  |
| 6                                 | -          | -      | -           | unused  |
| <b>12-hour mode<sup>[1]</sup></b> |            |        |             |   |
| 5                                 | AMPM       | 0      | -           | indicates AM  |
|                                   |            | 1      | -           | indicates PM  |
| 4                                 | HOUR_ALARM | 0 to 1 | ten's place | hour alarm information coded in BCD format when in 12-hour mode |
| 3 to 0                            |            | 0 to 9 | unit place  |   |
| <b>24-hour mode<sup>[1]</sup></b> |            |        |             |   |

**Table 42. Hour\_alarm - hour alarm register (address 0Ch) bit description...continued**

Bit positions labeled as - are not implemented and return 0 when read. Bits labeled as X are undefined at power-on and unchanged by subsequent resets.

| Bit    | Symbol     | Value  | Place value | Description   |
|--------|------------|--------|-------------|---|
| 5 to 4 | HOUR_ALARM | 0 to 2 | ten's place | hour alarm information coded in BCD format when in 24-hour mode |
| 3 to 0 |            | 0 to 9 | unit place  |   |

[1] Hour mode is set by the bit 12\_24 in register Control\_1.

### 7.9.4 Register Day\_alarm

**Table 43. Day\_alarm - day alarm register (address 0Dh) bit allocation**

Bit positions labeled as - are not implemented and return 0 when read. Bits labeled as X are undefined at power-on and unchanged by subsequent resets.

| Bit         | 7    | 6 | 5                   | 4 | 3 | 2 | 1 | 0 |
|-------------|------|---|---------------------|---|---|---|---|---|
| Symbol      | AE_D | - | DAY_ALARM (1 to 31) |   |   |   |   |   |
| Reset value | 1    | - | X                   | X | X | X | X | X |

**Table 44. Day\_alarm - day alarm register (address 0Dh) bit description**

Bit positions labeled as - are not implemented and return 0 when read. Bits labeled as X are undefined at power-on and unchanged by subsequent resets.

| Bit    | Symbol    | Value  | Place value | Description                               |
|--------|-----------|--------|-------------|---|
| 7      | AE_D      | 0      | -           | day alarm is enabled                      |
|        |           | 1      | -           | day alarm is disabled                     |
| 6      | -         | -      | -           | unused                                    |
| 5 to 4 | DAY_ALARM | 0 to 3 | ten's place | day alarm information coded in BCD format |
| 3 to 0 |           | 0 to 9 | unit place  |   |

### 7.9.5 Register Weekday\_alarm

**Table 45. Weekday\_alarm - weekday alarm register (address 0Eh) bit allocation**

Bit positions labeled as - are not implemented and return 0 when read. Bits labeled as X are undefined at power-on and unchanged by subsequent resets.

| Bit         | 7    | 6 | 5 | 4 | 3 | 2                      | 1 | 0 |
|-------------|------|---|---|---|---|------------------------|---|---|
| Symbol      | AE_W | - | - | - | - | WEEKDAY_ALARM (0 to 6) |   |   |
| Reset value | 1    | - | - | - | - | X                      | X | X |

**Table 46. Weekday\_alarm - weekday alarm register (address 0Eh) bit description**

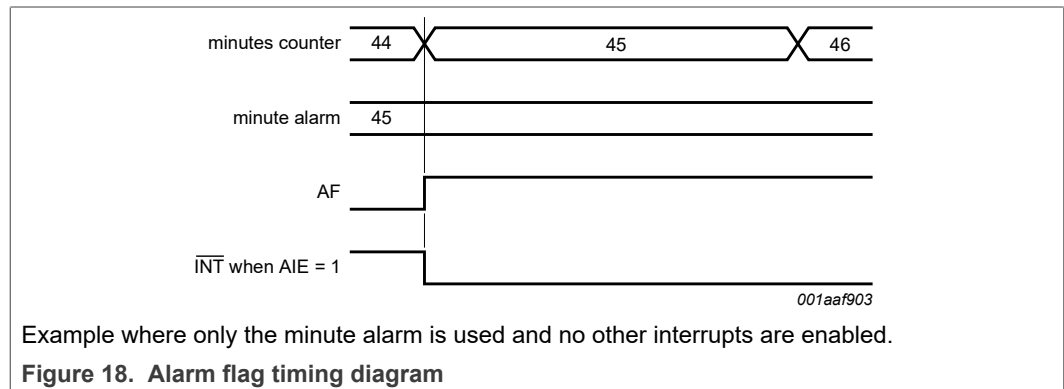
Bit positions labeled as - are not implemented and return 0 when read. Bits labeled as X are undefined at power-on and unchanged by subsequent resets.

| Bit    | Symbol        | Value  | Description               |
|--------|---------------|--------|---------------------------|
| 7      | AE_W          | 0      | weekday alarm is enabled  |
|        |               | 1      | weekday alarm is disabled |
| 6 to 3 | -             | -      | unused                    |
| 2 to 0 | WEEKDAY_ALARM | 0 to 6 | weekday alarm information |

### 7.9.6 Alarm flag

When all enabled comparisons first match, the alarm flag AF (register Control\_2) is set. AF remains set until cleared by command. Once AF has been cleared, it will only be set again when the time increments to match the alarm condition once more. For clearing the flags, see [Section 7.10.5](#)

Alarm registers which have their alarm enable bit AE\_x at logic 1 are ignored.



## 7.10 Timer functions

The PCF2129 has a watchdog timer function. The timer can be switched on and off by using the control bit WD\_CD in the register Watchdog\_tim\_ctl.

The watchdog timer has four selectable source clocks. It can, for example, be used to detect a microcontroller with interrupt and reset capability which is out of control (see [Section 7.10.3](#))

To control the timer function and timer output, the registers Control\_2, Watchdog\_tim\_ctl, and Watchdog\_tim\_val are used.

### 7.10.1 Register Watchdog\_tim\_ctl

**Table 47. Watchdog\_tim\_ctl - watchdog timer control register (address 10h) bit allocation**

Bit positions labeled as - are not implemented and return 0 when read. Bits labeled as T must always be written with logic 0.

| Bit         | 7     | 6 | 5     | 4 | 3 | 2 | 1       | 0 |
|-------------|-------|---|-------|---|---|---|---------|---|
| Symbol      | WD_CD | T | TI_TP | - | - | - | TF[1:0] |   |
| Reset value | 0     | 0 | 0     | - | - | - | 1       | 1 |

Table 48. Watchdg\_tim\_ctl - watchdog timer control register (address 10h) bit description

Bit positions labeled as - are not implemented and return 0 when read. Bits labeled as T must always be written with logic 0.

| Bit    | Symbol  | Value | Description   |
|--------|---------|-------|---|
| 7      | WD_CD   | 0     | watchdog timer disabled   |
|        |         | 1     | watchdog timer enabled;<br>the interrupt pin $\overline{\text{INT}}$ is activated when timed out  |
| 6      | T       | 0     | unused  |
| 5      | TI_TP   | 0     | the interrupt pin $\overline{\text{INT}}$ is configured to generate a permanent active signal when MSF is set                             |
|        |         | 1     | the interrupt pin $\overline{\text{INT}}$ is configured to generate a pulsed signal when MSF flag is set (see <a href="#">Figure 21</a> ) |
| 4 to 2 | -       | -     | unused  |
| 1 to 0 | TF[1:0] |       | timer source clock for watchdog timer   |
|        |         | 00    | 4.096 kHz   |
|        |         | 01    | 64 Hz   |
|        |         | 10    | 1 Hz  |
|        |         | 11    | $\frac{1}{60}$ Hz   |

7.10.2 Register Watchdg\_tim\_val

Table 49. Watchdg\_tim\_val - watchdog timer value register (address 11h) bit allocation

Bits labeled as X are undefined at power-on and unchanged by subsequent resets.

| Bit         | 7                     | 6 | 5 | 4 | 3 | 2 | 1 | 0 |
|-------------|-----------------------|---|---|---|---|---|---|---|
| Symbol      | WATCHDGD_TIM_VAL[7:0] |   |   |   |   |   |   |   |
| Reset value | X                     | X | X | X | X | X | X | X |

Table 50. Watchdg\_tim\_val - watchdog timer value register (address 11h) bit description

Bits labeled as X are undefined at power-on and unchanged by subsequent resets.

| Bit    | Symbol                | Value    | Description  |
|--------|-----------------------|----------|--|
| 7 to 0 | WATCHDGD_TIM_VAL[7:0] | 00 to FF | timer period in seconds:<br>$TimerPeriod = \frac{n}{SourceClockFrequency}$<br>where n is the timer value |

Table 51. Programmable watchdog timer

| TF[1:0] | Timer source clock frequency | Units | Minimum timer period (n = 1) | Units | Maximum timer period (n = 255) | Units |
|---------|------------------------------|-------|------------------------------|-------|--------------------------------|-------|
| 00      | 4.096                        | kHz   | 244                          | µs    | 62.256                         | ms    |
| 01      | 64                           | Hz    | 15.625                       | ms    | 3.984                          | s     |
| 10      | 1                            | Hz    | 1                            | s     | 255                            | s     |



Table 51. Programmable watchdog timer...continued

| TF[1:0] | Timer source clock frequency | Units | Minimum timer period (n = 1) | Units | Maximum timer period (n = 255) | Units |
|---------|------------------------------|-------|------------------------------|-------|--------------------------------|-------|
| 11      | 1/60                         | Hz    | 60                           | s     | 15 300                         | s     |

7.10.3 Watchdog timer function

The watchdog timer function is enabled or disabled by the WD\_CD bit of the register Watchdog\_tim\_ctl (see Table 48).

The 2 bits TF[1:0] in register Watchdog\_tim\_ctl determine one of the four source clock frequencies for the watchdog timer: 4.096 kHz, 64 Hz, 1 Hz, or 1/60 Hz (see Table 51).

When the watchdog timer function is enabled, the 8-bit timer in register Watchdog\_tim\_val determines the watchdog timer period (see Table 51).

The watchdog timer counts down from the software programmed 8-bit binary value n in register Watchdog\_tim\_val. When the counter reaches 1, the watchdog timer flag WDTF (register Control\_2) is set logic 1 and an interrupt is generated.

The counter does not automatically reload.

When WD\_CD is logic 0 (watchdog timer disabled) and the Microcontroller Unit (MCU) loads a watchdog timer value n:

- the flag WDTF is reset
- INT is cleared
- the watchdog timer starts again

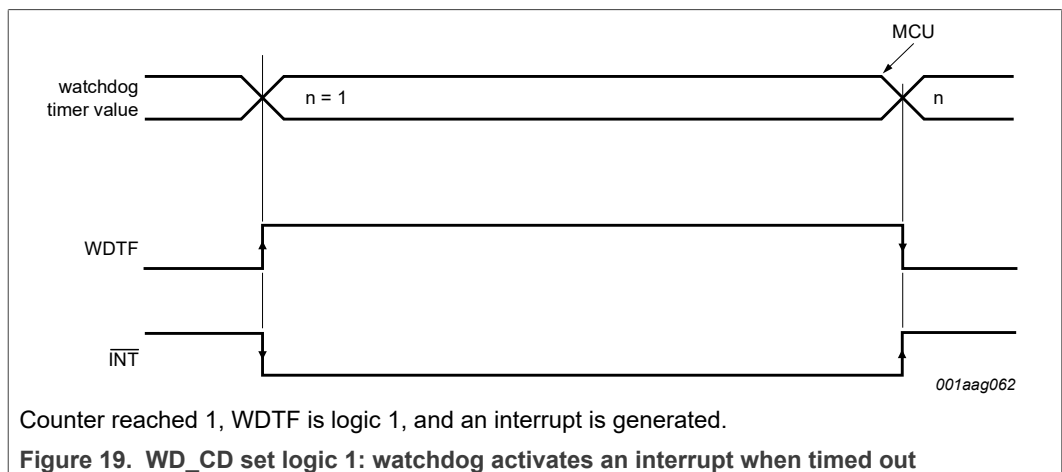
Loading the counter with 0 will:

- reset the flag WDTF
- clear INT
- stop the watchdog timer

**Remark:** WDTF is read only and cannot be cleared by command. WDTF can be cleared by:

- loading a value in register Watchdog\_tim\_val
- reading of the register Control\_2

Writing a logic 0 or logic 1 to WDTF has no effect.



- When the watchdog timer counter reaches 1, the watchdog timer flag WDTF is set logic 1
- When a minute or second interrupt occurs, the minute/second flag MSF is set logic 1 (see [Section 7.12.1](#)).

**7.10.4 Pre-defined timers: second and minute interrupt**

PCF2129 has two pre-defined timers which are used to generate an interrupt either once per second or once per minute (see [Section 7.12.1](#)). The pulse generator for the minute or second interrupt operates from an internal 64 Hz clock. It is independent of the watchdog timer. Each of these timers can be enabled by the bits SI (second interrupt) and MI (minute interrupt) in register Control\_1.

**7.10.5 Clearing flags**

The flags MSF, AF, and TSF<sub>x</sub> can be cleared by command. To prevent one flag being overwritten while clearing another, a logic AND is performed during the write access. A flag is cleared by writing logic 0 while a flag is not cleared by writing logic 1. Writing logic 1 results in the flag value remaining unchanged.

Two examples are given for clearing the flags. Clearing a flag is made by a write command:

- Bits labeled with - must be written with their previous values
- Bits labeled with T have to be written with logic 0
- WDTF is read only and has to be written with logic 0

Repeatedly rewriting these bits has no influence on the functional behavior.

**Table 52. Flag location in register Control\_2**

| Register  | Bit |      |      |    |   |   |   |   |
|-----------|-----|------|------|----|---|---|---|---|
|           | 7   | 6    | 5    | 4  | 3 | 2 | 1 | 0 |
| Control_2 | MSF | WDTF | TSF2 | AF | T | - | - | T |

**Table 53. Example values in register Control\_2**

| Register  | Bit |   |   |   |   |   |   |   |
|-----------|-----|---|---|---|---|---|---|---|
|           | 7   | 6 | 5 | 4 | 3 | 2 | 1 | 0 |
| Control_2 | 1   | 0 | 1 | 1 | 0 | 0 | 0 | 0 |

The following tables show what instruction must be sent to clear the appropriate flag.

**Table 54. Example to clear only AF (bit 4)**

| Register  | Bit |   |   |   |   |                  |                  |   |
|-----------|-----|---|---|---|---|------------------|------------------|---|
|           | 7   | 6 | 5 | 4 | 3 | 2                | 1                | 0 |
| Control_2 | 1   | 0 | 1 | 0 | 0 | 0 <sup>[1]</sup> | 0 <sup>[1]</sup> | 0 |

[1] The bits labeled as - have to be rewritten with the previous values.

Table 55. Example to clear only MSF (bit 7)

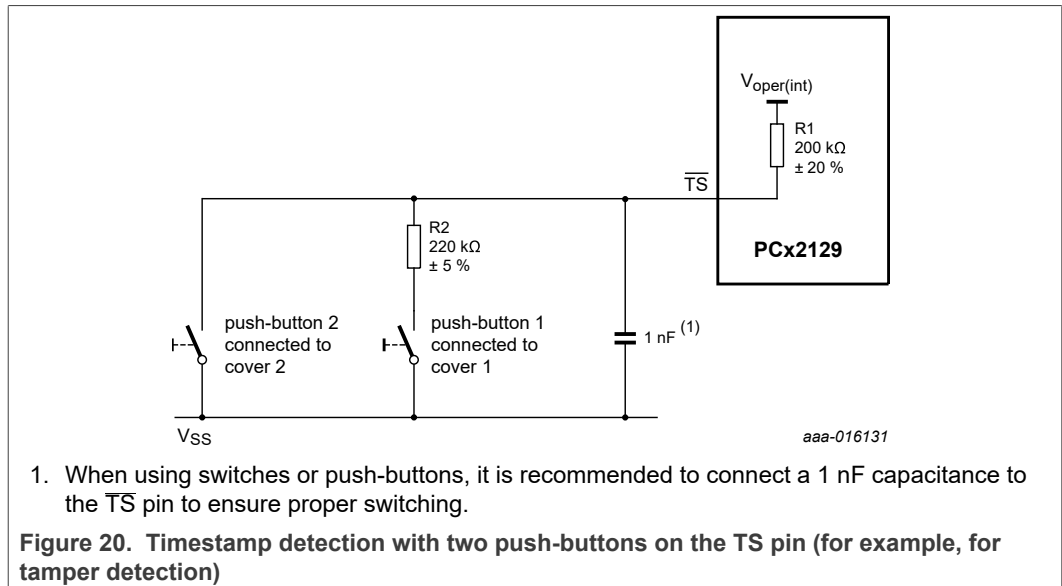
| Register  | Bit |   |   |   |   |                  |                  |   |
|-----------|-----|---|---|---|---|------------------|------------------|---|
|           | 7   | 6 | 5 | 4 | 3 | 2                | 1                | 0 |
| Control_2 | 0   | 0 | 1 | 1 | 0 | 0 <sup>[1]</sup> | 0 <sup>[1]</sup> | 0 |

[1] The bits labeled as - have to be rewritten with the previous values.

### 7.11 Timestamp function

The PCF2129 has an active LOW timestamp input pin  $\overline{TS}$ , internally pulled with an on-chip pull-up resistor to  $V_{oper(int)}$ . It also has a timestamp detection circuit which can detect two different events:

1. Input on pin  $\overline{TS}$  is driven to an intermediate level between power supply and ground.
2. Input on pin  $\overline{TS}$  is driven to ground.



The timestamp function is enabled by default after power-on and it can be switched off by setting the control bit TSOFF (register Timestp\_ctl).

A most common application of the timestamp function is described in [1].

See Section 7.12.5 for a description of interrupt generation from the timestamp function.

#### 7.11.1 Timestamp flag

1. When the  $\overline{TS}$  input pin is driven to an intermediate level between the power supply and ground, either on the falling edge from  $V_{DD}$  or on the rising edge from ground, then the following sequence occurs:
2. The actual date and time are stored in the timestamp registers.
3. The timestamp flag TSF1 (register Control\_1) is set.
4. If the TSIE bit (register Control\_2) is active, an interrupt on the  $\overline{INT}$  pin is generated.

The TSF1 flag can be cleared by command. Clearing the flag clears the interrupt. Once TSF1 is cleared, it will only be set again when a new negative or positive edge on pin  $\overline{TS}$  is detected.

1. When the  $\overline{TS}$  input pin is driven to ground, the following sequence occurs:
2. The actual date and time are stored in the timestamp registers.
3. In addition to the TSF1 flag, the TSF2 flag (register Control\_2) is set.
4. If the TSIE bit is active, an interrupt on the  $\overline{INT}$  pin is generated.

The TSF1 and TSF2 flags can be cleared by command; clearing both flags clears the interrupt. Once TSF2 is cleared, it will only be set again when  $\overline{TS}$  pin is driven to ground once again.

**7.11.2 Timestamp mode**

The timestamp function has two different modes selected by the control bit TSM (timestamp mode) in register Timestp\_ctl:

- If TSM is logic 0 (default): in subsequent trigger events without clearing the timestamp flags, the last timestamp event is stored
- If TSM is logic 1: in subsequent trigger events without clearing the timestamp flags, the first timestamp event is stored

The timestamp function also depends on the control bit BTSE in register Control\_3, see [Section 7.11.4](#).

**7.11.3 Timestamp registers**

**7.11.3.1 Register Timestp\_ctl**

**Table 56. Timestp\_ctl - timestamp control register (address 12h) bit allocation**

Bit positions labeled as - are not implemented and return 0 when read. Bits labeled as X are undefined at power-on and unchanged by subsequent resets.

| Bit         | 7   | 6     | 5 | 4                     | 3 | 2 | 1 | 0 |
|-------------|-----|-------|---|-----------------------|---|---|---|---|
| Symbol      | TSM | TSOFF | - | 1_O_16_TIMESTAMP[4:0] |   |   |   |   |
| Reset value | 0   | 0     | - | X                     | X | X | X | X |

**Table 57. Timestp\_ctl - timestamp control register (address 12h) bit description**

Bit positions labeled as - are not implemented and return 0 when read. Bits labeled as X are undefined at power-on and unchanged by subsequent resets.

| Bit    | Symbol                | Value | Description  |
|--------|-----------------------|-------|--|
| 7      | TSM                   | 0     | in subsequent events without clearing the timestamp flags, the last event is stored  |
|        |                       | 1     | in subsequent events without clearing the timestamp flags, the first event is stored |
| 6      | TSOFF                 | 0     | timestamp function active  |
|        |                       | 1     | timestamp function disabled  |
| 5      | -                     | -     | unused   |
| 4 to 0 | 1_O_16_TIMESTAMP[4:0] |       | $\frac{1}{16}$ second timestamp information coded in BCD format                      |

7.11.3.2 Register Sec\_timestp

Table 58. Sec\_timestp - second timestamp register (address 13h) bit allocation

Bit positions labeled as - are not implemented and return 0 when read. Bits labeled as X are undefined at power-on and unchanged by subsequent resets.

| Bit         | 7 | 6                        | 5 | 4 | 3 | 2 | 1 | 0 |
|-------------|---|--------------------------|---|---|---|---|---|---|
| Symbol      | - | SECOND_TIMESTP (0 to 59) |   |   |   |   |   |   |
| Reset value | - | X                        | X | X | X | X | X | X |

Table 59. Sec\_timestp - second timestamp register (address 13h) bit description

Bit positions labeled as - are not implemented and return 0 when read. Bits labeled as X are undefined at power-on and unchanged by subsequent resets.

| Bit    | Symbol         | Value  | Place value | Description                                      |
|--------|----------------|--------|-------------|--|
| 7      | -              | -      | -           | unused   |
| 6 to 4 | SECOND_TIMESTP | 0 to 5 | ten's place | second timestamp information coded in BCD format |
| 3 to 0 |                | 0 to 9 | unit place  |  |

7.11.3.3 Register Min\_timestp

Table 60. Min\_timestp - minute timestamp register (address 14h) bit allocation

Bit positions labeled as - are not implemented and return 0 when read. Bits labeled as X are undefined at power-on and unchanged by subsequent resets.

| Bit         | 7 | 6                        | 5 | 4 | 3 | 2 | 1 | 0 |
|-------------|---|--------------------------|---|---|---|---|---|---|
| Symbol      | - | MINUTE_TIMESTP (0 to 59) |   |   |   |   |   |   |
| Reset value | - | X                        | X | X | X | X | X | X |

Table 61. Min\_timestp - minute timestamp register (address 14h) bit description

Bit positions labeled as - are not implemented and return 0 when read. Bits labeled as X are undefined at power-on and unchanged by subsequent resets.

| Bit    | Symbol         | Value  | Place value | Description                                      |
|--------|----------------|--------|-------------|--|
| 7      | -              | -      | -           | unused   |
| 6 to 4 | MINUTE_TIMESTP | 0 to 5 | ten's place | minute timestamp information coded in BCD format |
| 3 to 0 |                | 0 to 9 | unit place  |  |

7.11.3.4 Register Hour\_timestp

Table 62. Hour\_timestp - hour timestamp register (address 15h) bit allocation

Bit positions labeled as - are not implemented and return 0 when read. Bits labeled as X are undefined at power-on and unchanged by subsequent resets.

| Bit    | 7 | 6 | 5    | 4  | 3 | 2 | 1 | 0 |
|--------|---|---|------|--|---|---|---|---|
| Symbol | - | - | AMPM | HOUR_TIMESTP (1 to 12) in 12-hour mode<br>HOUR_TIMESTP (0 to 23) in 24-hour mode |   |   |   |   |

**Table 62. Hour\_timestp - hour timestamp register (address 15h) bit allocation...continued**

Bit positions labeled as - are not implemented and return 0 when read. Bits labeled as X are undefined at power-on and unchanged by subsequent resets.

| Bit         | 7 | 6 | 5 | 4 | 3 | 2 | 1 | 0 |
|-------------|---|---|---|---|---|---|---|---|
| Reset value | - | - | X | X | X | X | X | X |

**Table 63. Hour\_timestp - hour timestamp register (address 15h) bit description**

Bit positions labeled as - are not implemented and return 0 when read. Bits labeled as X are undefined at power-on and unchanged by subsequent resets.

| Bit                               | Symbol       | Value  | Place value | Description   |
|-----------------------------------|--------------|--------|-------------|---|
| 7 to 6                            | -            | -      | -           | unused  |
| <b>12-hour mode<sup>[1]</sup></b> |              |        |             |   |
| 5                                 | AMPM         | 0      | -           | indicates AM  |
|                                   |              | 1      | -           | indicates PM  |
| 4                                 | HOUR_TIMESTP | 0 to 1 | ten's place | hour timestamp information coded in BCD format when in 12-hour mode |
| 3 to 0                            |              | 0 to 9 | unit place  |   |
| <b>24-hour mode<sup>[1]</sup></b> |              |        |             |   |
| 5 to 4                            | HOUR_TIMESTP | 0 to 2 | ten's place | hour timestamp information coded in BCD format when in 24-hour mode |
| 3 to 0                            |              | 0 to 9 | unit place  |   |

[1] Hour mode is set by the bit 12\_24 in register Control\_1.

### 7.11.3.5 Register Day\_timestp

**Table 64. Day\_timestp - day timestamp register (address 16h) bit allocation**

Bit positions labeled as - are not implemented and return 0 when read. Bits labeled as X are undefined at power-on and unchanged by subsequent resets.

| Bit         | 7 | 6 | 5                     | 4 | 3 | 2 | 1 | 0 |
|-------------|---|---|-----------------------|---|---|---|---|---|
| Symbol      | - | - | DAY_TIMESTP (1 to 31) |   |   |   |   |   |
| Reset value | - | - | X                     | X | X | X | X | X |

**Table 65. Day\_timestp - day timestamp register (address 16h) bit description**

Bit positions labeled as - are not implemented and return 0 when read. Bits labeled as X are undefined at power-on and unchanged by subsequent resets.

| Bit    | Symbol      | Value  | Place value | Description                                   |
|--------|-------------|--------|-------------|---|
| 7 to 6 | -           | -      | -           | unused  |
| 5 to 4 | DAY_TIMESTP | 0 to 3 | ten's place | day timestamp information coded in BCD format |
| 3 to 0 |             | 0 to 9 | unit place  |   |

### 7.11.3.6 Register Mon\_timestp

**Table 66. Mon\_timestp - month timestamp register (address 17h) bit allocation**

Bit positions labeled as - are not implemented and return 0 when read. Bits labeled as X are undefined at power-on and unchanged by subsequent resets.

| Bit         | 7 | 6 | 5 | 4                       | 3 | 2 | 1 | 0 |
|-------------|---|---|---|-------------------------|---|---|---|---|
| Symbol      | - | - | - | MONTH_TIMESTP (1 to 12) |   |   |   |   |
| Reset value | - | - | - | X                       | X | X | X | X |

**Table 67. Mon\_timestp - month timestamp register (address 17h) bit description**

Bit positions labeled as - are not implemented and return 0 when read. Bits labeled as X are undefined at power-on and unchanged by subsequent resets.

| Bit    | Symbol        | Value  | Place value | Description                                     |
|--------|---------------|--------|-------------|---|
| 7 to 5 | -             | -      | -           | unused  |
| 4      | MONTH_TIMESTP | 0 to 1 | ten's place | month timestamp information coded in BCD format |
| 3 to 0 |               | 0 to 9 | unit place  |   |

### 7.11.3.7 Register Year\_timestp

**Table 68. Year\_timestp - year timestamp register (address 18h) bit allocation**

Bits labeled as X are undefined at power-on and unchanged by subsequent resets.

| Bit         | 7                      | 6 | 5 | 4 | 3 | 2 | 1 | 0 |
|-------------|------------------------|---|---|---|---|---|---|---|
| Symbol      | YEAR_TIMESTP (0 to 99) |   |   |   |   |   |   |   |
| Reset value | X                      | X | X | X | X | X | X | X |

**Table 69. Year\_timestp - year timestamp register (address 18h) bit description**

Bits labeled as X are undefined at power-on and unchanged by subsequent resets.

| Bit    | Symbol       | Value  | Place value | Description                                    |
|--------|--------------|--------|-------------|--|
| 7 to 4 | YEAR_TIMESTP | 0 to 9 | ten's place | year timestamp information coded in BCD format |
| 3 to 0 |              | 0 to 9 | unit place  |  |

## 7.11.4 Dependency between Battery switch-over and timestamp

The timestamp function depends on the control bit BTSE in register Control-\_3:

**Table 70. Battery switch-over and timestamp**

| BTSE | BF | Description  |
|------|----|--|
| 0    | -  | <sup>[1]</sup> the battery switch-over does not affect the timestamp registers |
| 1    |    | If a battery switch-over event occurs:   |

Table 70. Battery switch-over and timestamp...continued

| BTSE | BF |     | Description  |
|------|----|-----|--|
|      | 0  | [1] | the timestamp registers store the time and date when the switch-over occurs; after this event occurred BF is set logic 1                                     |
|      | 1  |     | the timestamp registers are not modified; in this condition subsequent battery switch-over events or falling edges on pin $\overline{TS}$ are not registered |

[1] Default value.

## 7.12 Interrupt output, INT

PCF2129 has an interrupt output pin  $\overline{INT}$  which is open-drain, active LOW (requiring a pull-up resistor if used). Interrupts may be sourced from different places:

- second or minute timer
- watchdog timer
- alarm
- timestamp
- battery switch-over
- battery low detection

The control bit TI\_TP (register Watchdg\_tim\_ctl) is used to configure whether the interrupts generated from the second/minute timer (flag MSF in register Control\_2) are pulsed signals or a permanently active signal. All the other interrupt sources generate a permanently active interrupt signal which follows the status of the corresponding flags. When the interrupt sources are all disabled,  $\overline{INT}$  remains high-impedance.

- The flags MSF, AF, TSFx, and BF can be cleared by command.
- The flag WDTF is read only. How it can be cleared is explained in [Section 7.10.5](#).
- The flag BLF is read only. It is cleared automatically from the battery low detection circuit when the battery is replaced.



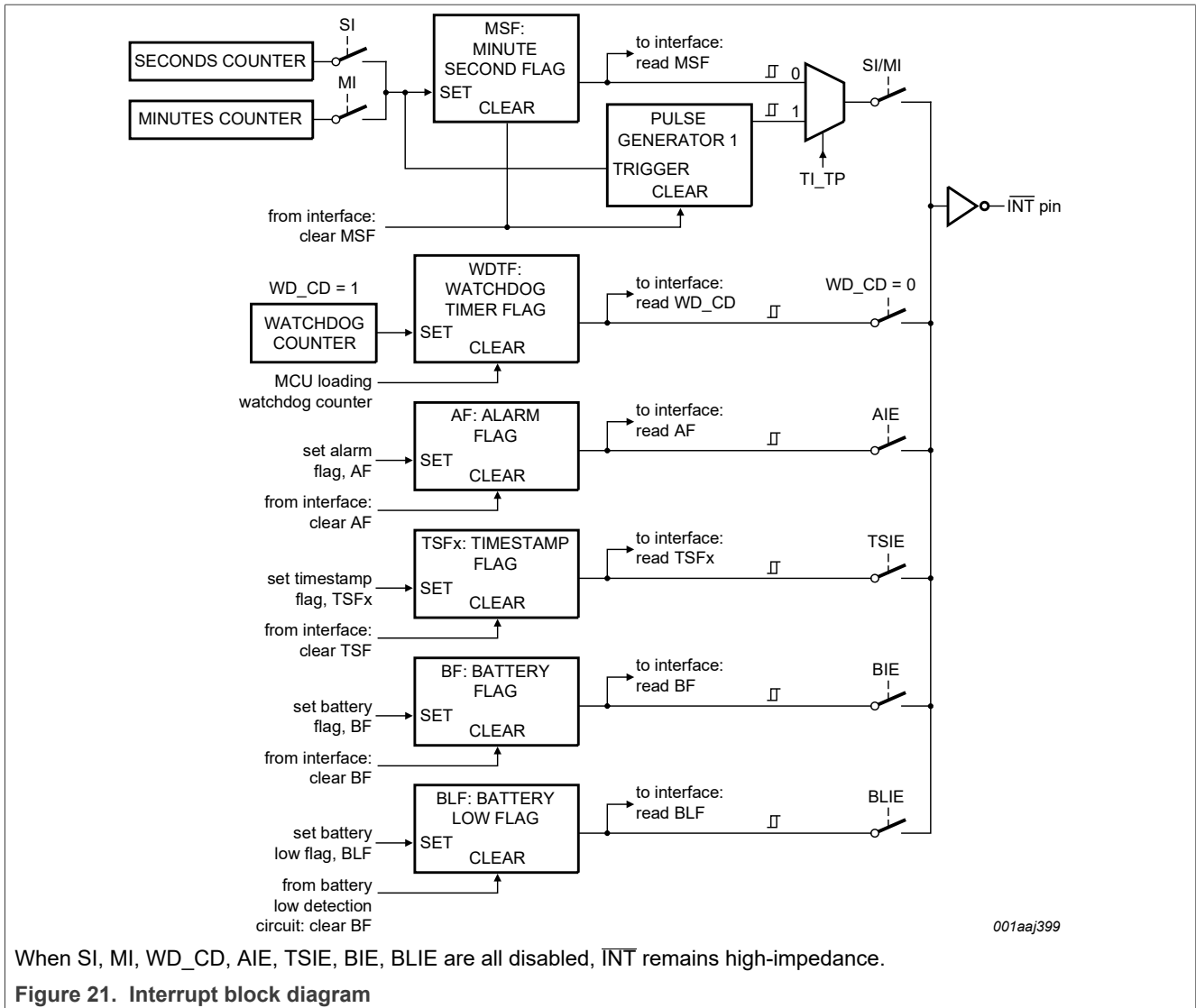


Figure 21. Interrupt block diagram

### 7.12.1 Minute and second interrupts

Minute and second interrupts are generated by predefined timers. The timers can be enabled independently from one another by the bits MI and SI in register Control\_1. However, a minute interrupt enabled on top of a second interrupt cannot be distinguishable since it occurs at the same time.

The minute/second flag MSF (register Control\_2) is set logic 1 when either the seconds or the minutes counter increments according to the enabled interrupt (see Table 71). The MSF flag can be cleared by command.

Table 71. Effect of bits MI and SI on pin  $\overline{INT}$  and bit MSF

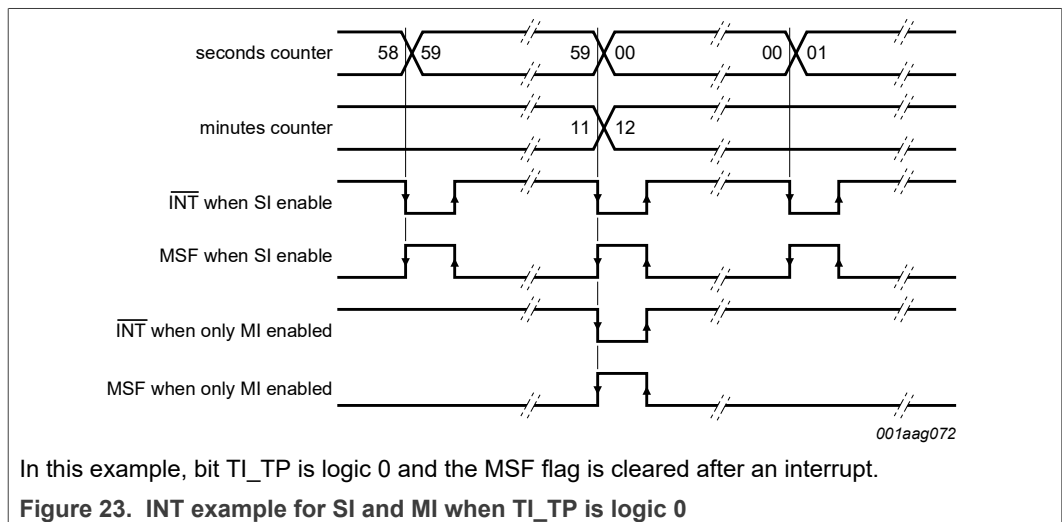
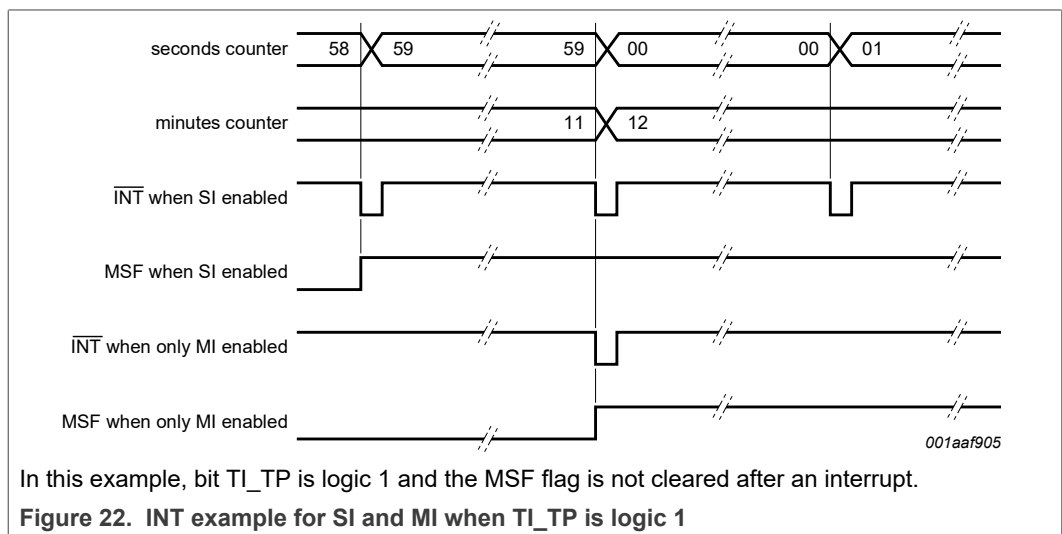
| MI | SI | Result on $\overline{INT}$   | Result on MSF                                  |
|----|----|------------------------------|--|
| 0  | 0  | no interrupt generated       | MSF never set                                  |
| 1  | 0  | an interrupt once per minute | MSF set when <b>minutes</b> counter increments |

Table 71. Effect of bits MI and SI on pin  $\overline{\text{INT}}$  and bit MSF...continued

| MI | SI | Result on $\overline{\text{INT}}$ | Result on MSF                                  |
|----|----|-----------------------------------|--|
| 0  | 1  | an interrupt once per second      | MSF set when <b>seconds</b> counter increments |
| 1  | 1  | an interrupt once per second      | MSF set when <b>seconds</b> counter increments |

When MSF is set logic 1:

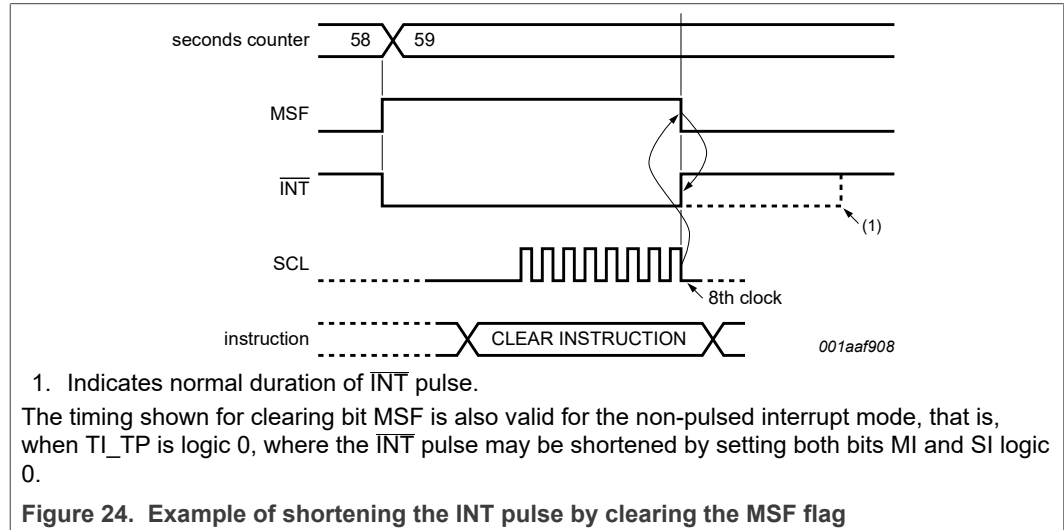
- If TI\_TP is logic 1, the interrupt is generated as a pulsed signal.
- If TI\_TP is logic 0, the interrupt is permanently active signal that remains until MSF is cleared.



The pulse generator for the minute/second interrupt operates from an internal 64 Hz clock and generates a pulse of  $\frac{1}{64}$  seconds in duration.

### 7.12.2 INT pulse shortening

If the MSF flag (register Control\_2) is cleared before the end of the  $\overline{\text{INT}}$  pulse, then the  $\overline{\text{INT}}$  pulse is shortened. This allows the source of a system interrupt to be cleared immediately when it is serviced, that is, the system does not have to wait for the completion of the pulse before continuing; see [Figure 24](#). Instructions for clearing the bit MSF can be found in [Section 7.10.5](#).



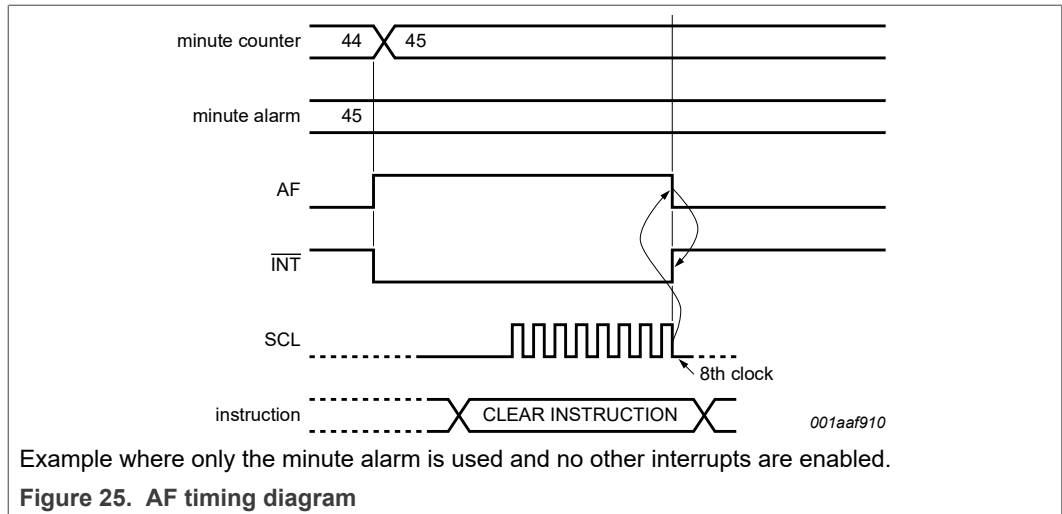
### 7.12.3 Watchdog timer interrupts

The generation of interrupts from the watchdog timer is controlled using the WD\_CD bit (register Watchdg\_tim\_ctl). The interrupt is generated as an active signal which follows the status of the watchdog timer flag WDTF (register Control\_2). No pulse generation is possible for watchdog timer interrupts.

The interrupt is cleared when the flag WDTF is reset. WDTF is a read-only bit and cannot be cleared by command. Instructions for clearing it can be found in [Section 7.10.5](#).

### 7.12.4 Alarm interrupts

Generation of interrupts from the alarm function is controlled by the bit AIE (register Control\_2). If AIE is enabled, the  $\overline{\text{INT}}$  pin follows the status of bit AF (register Control\_2). Clearing AF immediately clears  $\overline{\text{INT}}$ . No pulse generation is possible for alarm interrupts.



**7.12.5 Timestamp interrupts**

Interrupt generation from the timestamp function is controlled using the TSIE bit (register Control\_2). If TSIE is enabled, the INT pin follows the status of the flags TSFx. Clearing the flags TSFx immediately clears INT. No pulse generation is possible for timestamp interrupts.

**7.12.6 Battery switch-over interrupts**

Generation of interrupts from the battery switch-over is controlled by the BIE bit (register Control\_3). If BIE is enabled, the INT pin follows the status of bit BF in register Control\_3 (see Table 70). Clearing BF immediately clears INT. No pulse generation is possible for battery switch-over interrupts.

**7.12.7 Battery low detection interrupts**

Generation of interrupts from the battery low detection is controlled by the BLIE bit (register Control\_3). If BLIE is enabled, the INT pin follows the status of bit BLF (register Control\_3). The interrupt is cleared when the battery is replaced (BLF is logic 0) or when bit BLIE is disabled (BLIE is logic 0). BLF is read only and therefore cannot be cleared by command.

**7.13 External clock test mode**

A test mode is available which allows on-board testing. In this mode, it is possible to set up test conditions and control the operation of the RTC.

The test mode is entered by setting bit EXT\_TEST logic 1 (register Control\_1). Then pin CLKOUT becomes an input. The test mode replaces the internal clock signal (64 Hz) with the signal applied to pin CLKOUT. Every 64 positive edges applied to pin CLKOUT generate an increment of one second.

The signal applied to pin CLKOUT should have a minimum pulse width of 300 ns and a maximum period of 1 000 ns. The internal clock, now sourced from CLKOUT, is divided down by a 2<sup>6</sup> divider chain called prescaler (see Table 72). The prescaler can be set into a known state by using bit STOP. When bit STOP is logic 1, the prescaler is reset to 0. STOP must be cleared before the prescaler can operate again.

Accurate RTC with integrated quartz crystal for industrial applications

From a stop condition, the first 1 second increment will take place after 32 positive edges on pin CLKOUT. Thereafter, every 64 positive edges cause a 1 second increment.

**Remark:** Entry into test mode is not synchronized to the internal 64 Hz clock. When entering the test mode, no assumption as to the state of the prescaler can be made.

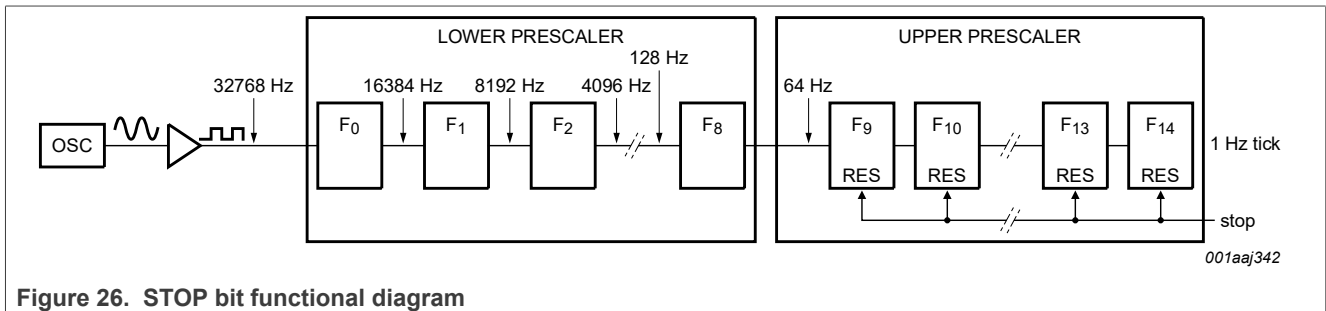
Operating example:

1. Set EXT\_TEST test mode (register Control\_1, EXT\_TEST is logic 1).
2. Set bit STOP (register Control\_1, STOP is logic 1).
3. Set time registers to desired value.
4. Clear STOP (register Control\_1, STOP is logic 0).
5. Apply 32 clock pulses to CLKOUT.
6. Read time registers to see the first change.
7. Apply 64 clock pulses to CLKOUT.
8. Read time registers to see the second change.

Repeat 7 and 8 for additional increments.

7.14 STOP bit function

The function of the STOP bit is to allow for accurate starting of the time circuits. STOP causes the upper part of the prescaler (F<sub>9</sub> to F<sub>14</sub>) to be held in reset and thus no 1 Hz ticks are generated. The time circuits can then be set and will not increment until the STOP bit is released. STOP doesn't affect the CLKOUT signal but the output of the prescaler in the range of 32 Hz to 1 Hz (see [Figure 26](#)).



The lower stages of the prescaler, F<sub>0</sub> to F<sub>8</sub>, are not reset and because the I<sup>2</sup>C-bus and the SPI-bus are asynchronous to the crystal oscillator, the accuracy of restarting the time circuits is between 0 and one 64 Hz cycle (0.484 375 s and 0.500 000 s), see [Table 72](#) and [Figure 27](#).

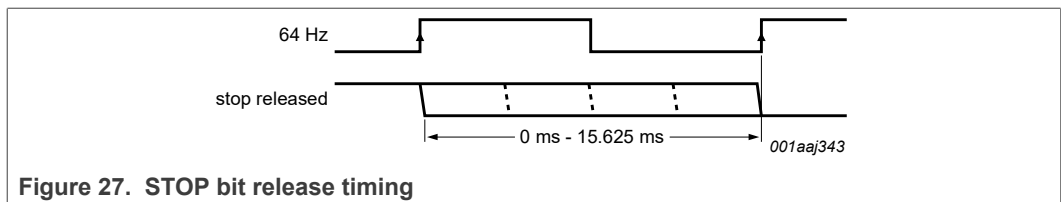
Table 72. First increment of time circuits after stop release

| Bit STOP   | Prescaler bits <sup>[1]</sup><br>F <sub>0</sub> to F <sub>8</sub> - F <sub>9</sub> to F <sub>14</sub> | 1 Hz tick | Time<br>hh:mm:ss | Comment                                      |
|--|---|-----------|------------------|--|
| <b>Clock is running normally</b>   |   |           |                  |  |
| 0  | 0100001111-010100   |           | 12:45:12         | prescaler counting normally                  |
| <b>STOP bit is activated by user. F<sub>0</sub> to F<sub>8</sub> are not reset and values cannot be predicted externally</b> |   |           |                  |  |
| 1  | xxxxxxxxx-000000  |           | 12:45:12         | prescaler is reset; time circuits are frozen |
| <b>New time is set by user</b>   |   |           |                  |  |
| 1  | xxxxxxxxx-000000  |           | 08:00:00         | prescaler is reset; time circuits are frozen |

Table 72. First increment of time circuits after stop release...continued

| Bit STOP                            | Prescaler bits <sup>[1]</sup><br>F <sub>0</sub> to F <sub>8</sub> - F <sub>9</sub> to F <sub>14</sub> | 1 Hz tick | Time<br>hh:mm:ss | Comment   |
|-------------------------------------|---|-----------|------------------|---|
| <b>STOP bit is released by user</b> |   |           |                  |   |
| 0                                   | xxxxxxxxxx-000000   |           | 08:00:00         | prescaler is now running  |
| 0                                   | xxxxxxxxxx-100000   |           | 08:00:00         |   |
| 0                                   | xxxxxxxxxx-100000   |           | 08:00:00         |   |
| 0                                   | xxxxxxxxxx-110000   |           | 08:00:00         |   |
| :                                   | :   |           | :                |   |
| 0                                   | 11111111-111110   |           | 08:00:00         |   |
| 0                                   | 00000000-000001   |           | 08:00:01         | 0 to 1 transition of F <sub>14</sub> increments the time circuits |
| 0                                   | 10000000-000001   |           | 08:00:01         |   |
| :                                   | :   |           | :                |   |
| 0                                   | 11111111-111111   |           | 08:00:01         |   |
| 0                                   | 00000000-000000   |           | 08:00:01         |   |
| 0                                   | 10000000-000000   |           |                  |   |
| :                                   | :   |           | :                |   |
| 0                                   | 11111111-111110   |           | 08:00:01         |   |
| 0                                   | 00000000-000001   |           | 08:00:02         | 0 to 1 transition of F <sub>14</sub> increments the time circuits |

[1] F<sub>0</sub> is clocked at 32.768 kHz.



## 8 Interfaces

The PCF2129 has an I<sup>2</sup>C-bus or SPI-bus interface using the same pins. The selection is done using the interface selection pin IFS (see [Table 73](#)).

Table 73. Interface selection input pin IFS

| Pin | Connection      | Bus interface        | Reference                   |
|-----|-----------------|----------------------|-----------------------------|
| IFS | V <sub>SS</sub> | SPI-bus              | <a href="#">Section 8.1</a> |
|     | BBS             | I <sup>2</sup> C-bus | <a href="#">Section 8.2</a> |

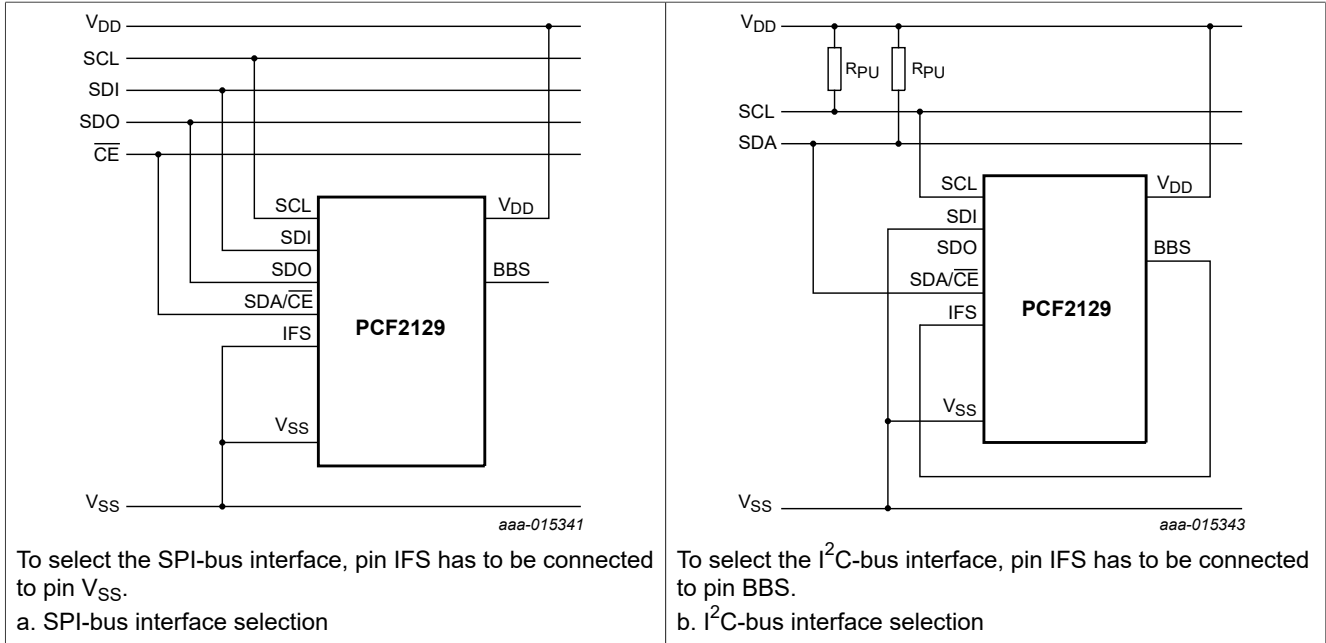


Figure 28. Interface selection

### 8.1 SPI-bus interface

Data transfer to and from the device is made by a 3 line SPI-bus (see Table 74). The data lines for input and output are split. The data input and output line can be connected together to facilitate a bidirectional data bus (see Figure 29). The SPI-bus is initialized whenever the chip enable line pin SDA/CE is inactive.

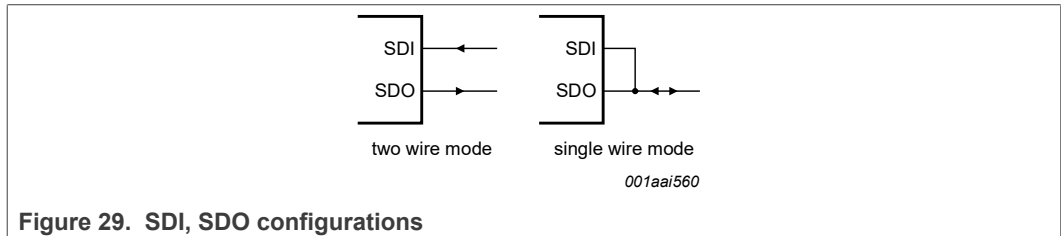


Figure 29. SDI, SDO configurations

Table 74. Serial interface

| Symbol | Function                         | Description  |
|--------|----------------------------------|--|
| SDA/CE | chip enable input;<br>active LOW | <sup>[1]</sup> when HIGH, the interface is reset;<br>input may be higher than V <sub>DD</sub>  |
| SCL    | serial clock input               | when SDA/CE is HIGH, input may float;<br>input may be higher than V <sub>DD</sub>  |
| SDI    | serial data input                | when SDA/CE is HIGH, input may float;<br>input may be higher than V <sub>DD</sub> ;<br>input data is sampled on the rising edge of SCL |

Table 74. Serial interface...continued

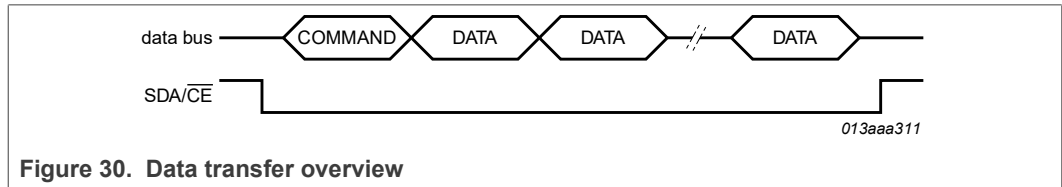
| Symbol | Function           | Description  |
|--------|--------------------|--|
| SDO    | serial data output | push-pull output;<br>drives from $V_{SS}$ to $V_{oper(int)}$ ( $V_{BBS}$ );<br>output data is changed on the falling edge of SCL |

[1] The chip enable must not be wired permanently LOW.

8.1.1 Data transmission

The chip enable signal is used to identify the transmitted data. Each data transfer is a whole byte, with the Most Significant Bit (MSB) sent first.

The transmission is controlled by the active LOW chip enable signal  $SDA/\overline{CE}$ . The first byte transmitted is the command byte. Subsequent bytes are either data to be written or data to be read (see Figure 30).

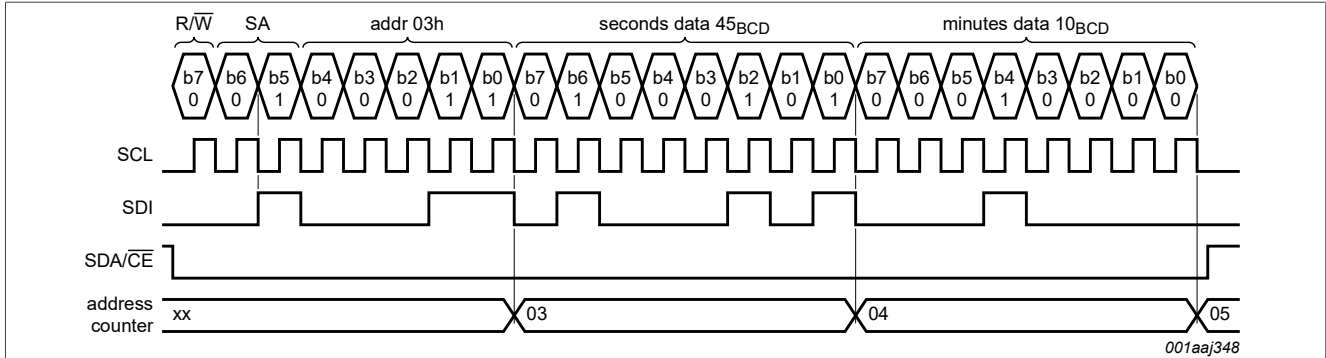


The command byte defines the address of the first register to be accessed and the read/write mode. The address counter will auto increment after every access and will reset to zero after the last valid register is accessed. The R/W bit defines if the following bytes are read or write information.

Table 75. Command byte definition

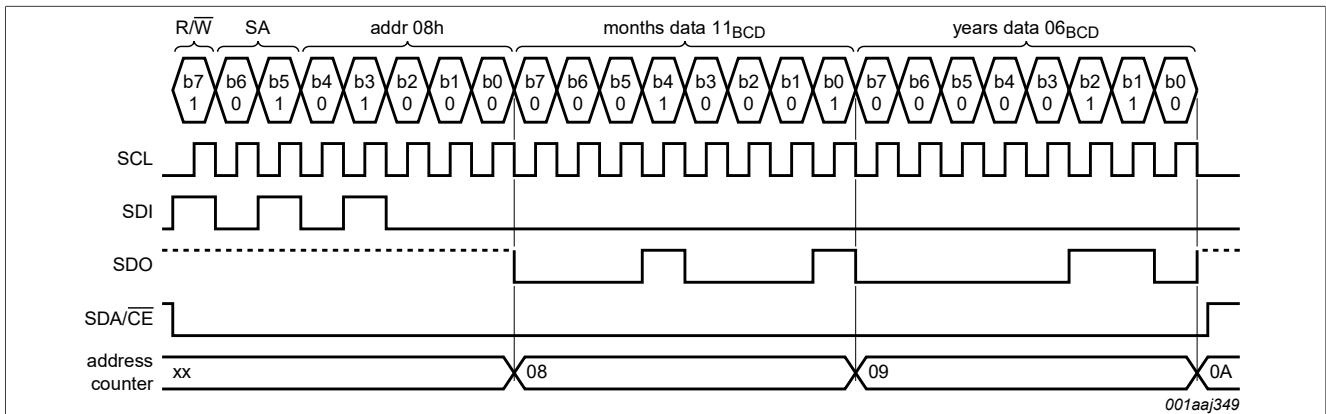
| Bit    | Symbol | Value      | Description  |
|--------|--------|------------|--|
| 7      | R/W    |            | data read or write selection   |
|        |        | 0          | write data   |
|        |        | 1          | read data  |
| 6 to 5 | SA     | 01         | subaddress;<br>other codes will cause the device to ignore data transfer |
| 4 to 0 | RA     | 00h to 1Bh | register address   |





In this example, the Seconds register is set to 45 seconds and the Minutes register to 10 minutes.

Figure 31. SPI-bus write example



In this example, the registers Months and Years are read. The pins SDI and SDO are not connected together. For this configuration, it is important that pin SDI is never left floating. It must always be driven either HIGH or LOW. If pin SDI is left open, high I<sub>DD</sub> currents may result.

Figure 32. SPI-bus read example

## 8.2 I<sup>2</sup>C-bus interface

The I<sup>2</sup>C-bus is for bidirectional, two-line communication between different ICs or modules. The two lines are a Serial DATA line (SDA) and a Serial CLOCK line (SCL). Both lines are connected to a positive supply by a pull-up resistor. Data transfer is initiated only when the bus is not busy.

### 8.2.1 Bit transfer

One data bit is transferred during each clock pulse. The data on the SDA line remains stable during the HIGH period of the clock pulse as changes in the data line at this time are interpreted as control signals (see [Figure 33](#)).

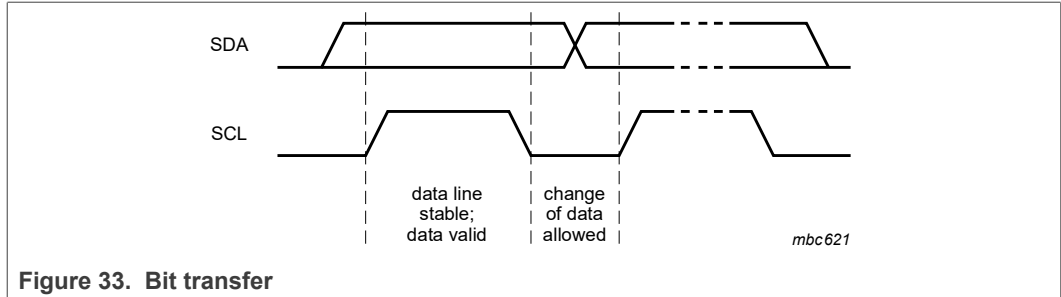


Figure 33. Bit transfer

### 8.2.2 START and STOP conditions

Both data and clock lines remain HIGH when the bus is not busy. A HIGH-to-LOW transition of the data line, while the clock is HIGH, is defined as the START condition S. A LOW-to-HIGH transition of the data line while the clock is HIGH is defined as the STOP condition P (see Figure 34).

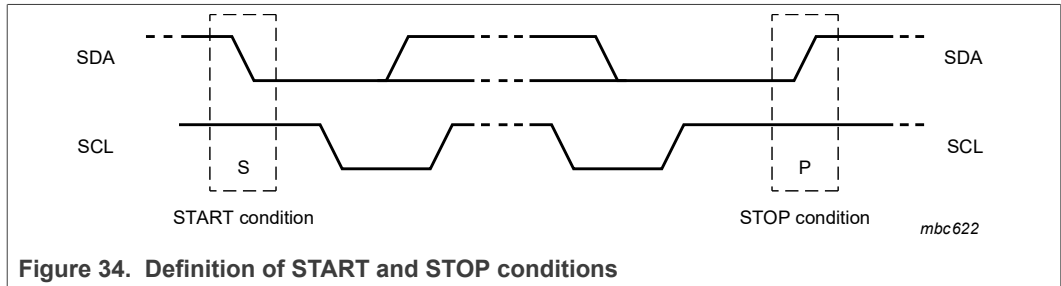


Figure 34. Definition of START and STOP conditions

**Remark:** For the PCF2129, a repeated START is not allowed. Therefore a STOP has to be released before the next START.

### 8.2.3 System configuration

A device generating a message is a transmitter; a device receiving a message is the receiver. The device that controls the message is the master; and the devices which are controlled by the master are the slaves.

The PCF2129 can act as a slave transmitter and a slave receiver.

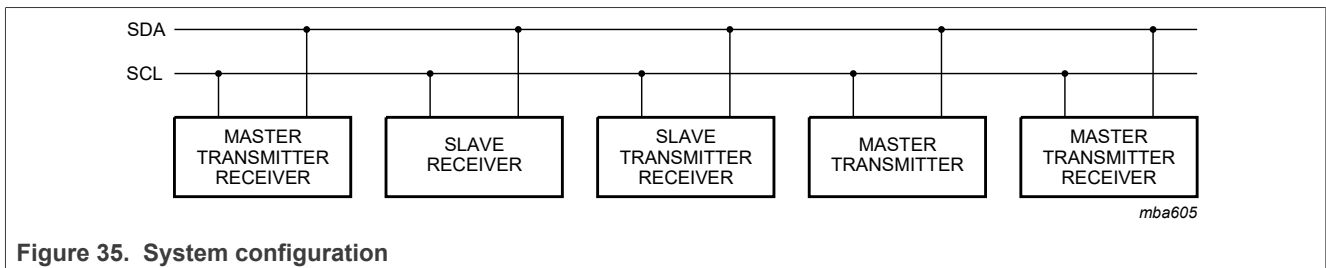


Figure 35. System configuration

### 8.2.4 Acknowledge

The number of data bytes transferred between the START and STOP conditions from transmitter to receiver is unlimited. Each byte of 8 bits is followed by an acknowledge cycle.

- A slave receiver which is addressed must generate an acknowledge after the reception of each byte.
- Also a master receiver must generate an acknowledge after the reception of each byte that has been clocked out of the slave transmitter.
- The device that acknowledges must pull-down the SDA line during the acknowledge clock pulse, so that the SDA line is stable LOW during the HIGH period of the acknowledge related clock pulse (set-up and hold times must be considered).
- A master receiver must signal an end of data to the transmitter by not generating an acknowledge on the last byte that has been clocked out of the slave. In this event, the transmitter must leave the data line HIGH to enable the master to generate a STOP condition.

Acknowledgement on the I<sup>2</sup>C-bus is illustrated in [Figure 36](#).

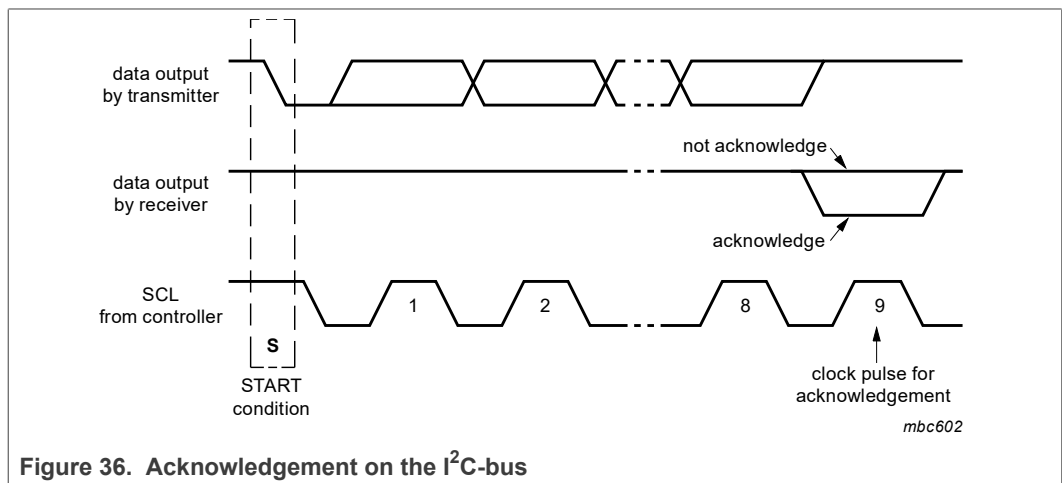


Figure 36. Acknowledgement on the I<sup>2</sup>C-bus

### 8.2.5 I<sup>2</sup>C-bus protocol

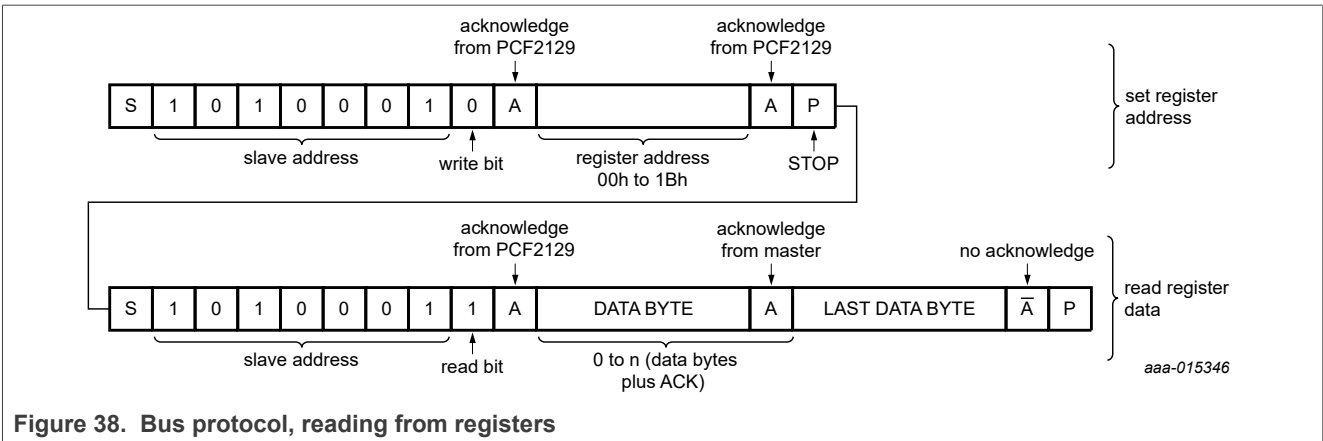
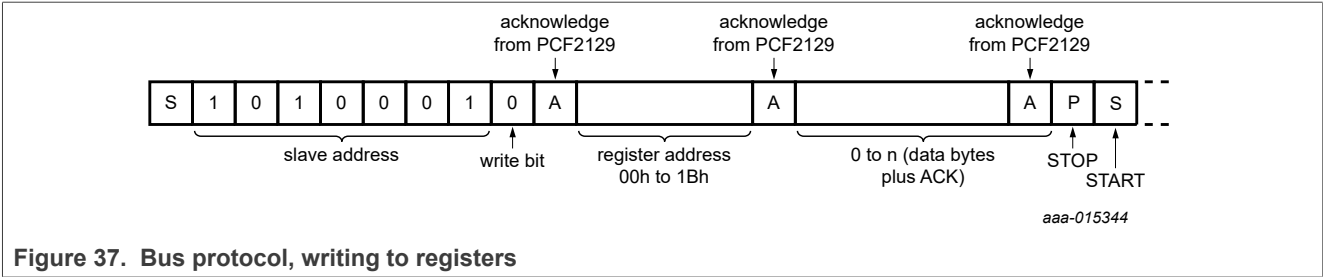
After a start condition, a valid hardware address has to be sent to a PCF2129 device. The appropriate I<sup>2</sup>C-bus slave address is 1010 001. The entire I<sup>2</sup>C-bus slave address byte is shown in [Table 76](#).

Table 76. I<sup>2</sup>C slave address byte

| Bit | Slave address |   |   |   |   |   |   | 0            |
|-----|---------------|---|---|---|---|---|---|--------------|
|     | 7             | 6 | 5 | 4 | 3 | 2 | 1 |              |
|     | MSB           |   |   |   |   |   |   | LSB          |
|     | 1             | 0 | 1 | 0 | 0 | 0 | 1 | R/ $\bar{W}$ |

The R/ $\bar{W}$  bit defines the direction of the following single or multiple byte data transfer (read is logic 1, write is logic 0).

For the format and the timing of the START condition (S), the STOP condition (P), and the acknowledge (A) refer to the I<sup>2</sup>C-bus specification [7] and the characteristics table ([Table 81](#)). In the write mode, a data transfer is terminated by sending a STOP condition. A repeated START (Sr) condition is not applicable.



### 8.3 Bus communication and battery backup operation

To save power during battery backup operation (see [Section 7.5.1](#)), the bus interfaces are inactive. Therefore the communication via I<sup>2</sup>C- or SPI-bus should be terminated before the supply of the PCF2129 is switched from V<sub>DD</sub> to V<sub>BAT</sub>.

**Remark:** If the I<sup>2</sup>C-bus communication was terminated uncontrolled, the I<sup>2</sup>C-bus has to be reinitialized by sending a STOP followed by a START after the device switched back from battery backup operation to V<sub>DD</sub> supply operation.

## 9 Internal circuitry

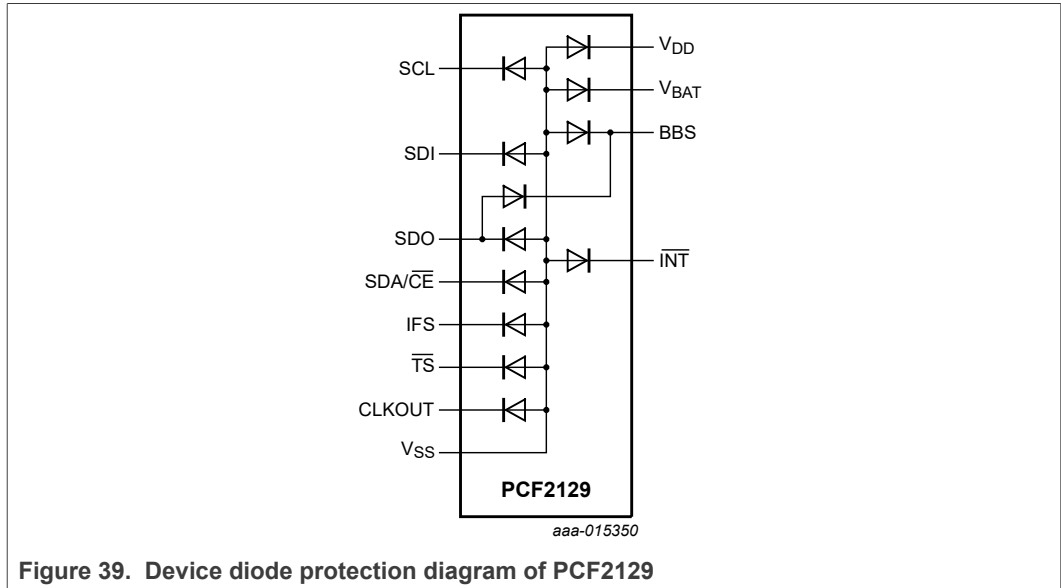



Figure 39. Device diode protection diagram of PCF2129

## 10 Safety notes

**CAUTION**



This device is sensitive to ElectroStatic Discharge (ESD). Observe precautions for handling electrostatic sensitive devices. Such precautions are described in the ANSI/ESD S20.20, IEC/ST 61340-5, JESD625-A or equivalent standards.

## 11 Limiting values

Table 77. Limiting values

In accordance with the Absolute Maximum Rating System (IEC 60134).

| Symbol    | Parameter                       | Conditions    | Min   | Max    | Unit |
|-----------|---------------------------------|---------------|-------|--------|------|
| $V_{DD}$  | supply voltage                  |               | -0.5  | +6.5   | V    |
| $I_{DD}$  | supply current                  |               | -50   | +50    | mA   |
| $V_i$     | input voltage                   |               | -0.5  | +6.5   | V    |
| $I_i$     | input current                   |               | -10   | +10    | mA   |
| $V_o$     | output voltage                  |               | -0.5  | +6.5   | V    |
| $I_o$     | output current                  |               | -10   | +10    | mA   |
|           |                                 | at pin SDA/CE | -10   | +20    | mA   |
| $V_{BAT}$ | battery supply voltage          |               | -0.5  | +6.5   | V    |
| $P_{tot}$ | total power dissipation         |               | -     | 300    | mW   |
| $V_{ESD}$ | electrostatic discharge voltage | HBM           | [1] - | ±4 000 | V    |
|           |                                 | CDM           | [2] - | ±1 250 | V    |

Table 77. Limiting values...continued

In accordance with the Absolute Maximum Rating System (IEC 60134).

| Symbol    | Parameter           | Conditions       | Min     | Max | Unit |
|-----------|---------------------|------------------|---------|-----|------|
| $I_{lu}$  | latch-up current    |                  | [3] -   | 200 | mA   |
| $T_{stg}$ | storage temperature |                  | [4] -55 | +85 | °C   |
| $T_{amb}$ | ambient temperature | operating device | -40     | +85 | °C   |

[1] Pass level; Human Body Model (HBM) according to [2].

[2] Pass level; Charged-Device Model (CDM), according to [3].

[3] Pass level; latch-up testing according to [4] at maximum ambient temperature ( $T_{amb(max)}$ ).

[4] According to the store and transport requirements (see [8]) the devices have to be stored at a temperature of +8 °C to +45 °C and a humidity of 25 % to 75 %.

## 12 Static characteristics

Table 78. Static characteristics

$V_{DD} = 1.8 V$  to  $4.2 V$ ;  $V_{SS} = 0 V$ ;  $T_{amb} = -40 °C$  to  $+85 °C$ , unless otherwise specified.

| Symbol          | Parameter                  | Conditions  | Min     | Typ   | Max   | Unit |  |
|-----------------|----------------------------|---|---------|-------|-------|------|--|
| <b>Supplies</b> |                            |   |         |       |       |      |  |
| $V_{DD}$        | supply voltage             |   | [1] 1.8 | -     | 4.2   | V    |  |
| $V_{BAT}$       | battery supply voltage     |   | 1.8     | -     | 4.2   | V    |  |
| $V_{DD(cal)}$   | calibration supply voltage |   | -       | 3.3   | -     | V    |  |
| $V_{low}$       | low voltage                |   | -       | 1.2   | -     | V    |  |
| $I_{DD}$        | supply current             | interface active;<br>supplied by $V_{DD}$   |         |       |       |      |  |
|                 |                            | SPI-bus ( $f_{SCL} = 6.5 MHz$ )   | -       | -     | 800   | µA   |  |
|                 |                            | I <sup>2</sup> C-bus ( $f_{SCL} = 400 kHz$ )  | -       | -     | 200   | µA   |  |
|                 |                            | interface inactive ( $f_{SCL} = 0 Hz$ ) <sup>[2]</sup> ;<br>TCR[1:0] = 00 (see Table 12)        |         |       |       |      |  |
|                 |                            | PWRMNG[2:0] = 111 (see Table 18);<br>TSOFF = 1 (see Table 57);<br>COF[2:0] = 111 (see Table 14) |         |       |       |      |  |
|                 |                            | $V_{DD} = 1.8 V$  | -       | 470   | -     | nA   |  |
|                 |                            | $V_{DD} = 3.3 V$  | -       | 700   | 1 500 | nA   |  |
|                 |                            | $V_{DD} = 4.2 V$  | -       | 800   | -     | nA   |  |
|                 |                            | PWRMNG[2:0] = 111 (see Table 18);<br>TSOFF = 1 (see Table 57);<br>COF[2:0] = 000 (see Table 14) |         |       |       |      |  |
|                 |                            | $V_{DD} = 1.8 V$  | -       | 560   | -     | nA   |  |
|                 |                            | $V_{DD} = 3.3 V$  | -       | 850   | -     | nA   |  |
|                 |                            | $V_{DD} = 4.2 V$  | -       | 1 050 | -     | nA   |  |
|                 |                            | PWRMNG[2:0] = 000 (see Table 18);<br>TSOFF = 0 (see Table 57);<br>COF[2:0] = 111 (see Table 14) |         |       |       |      |  |

Accurate RTC with integrated quartz crystal for industrial applications

Table 78. Static characteristics...continued

$V_{DD} = 1.8\text{ V to }4.2\text{ V}$ ;  $V_{SS} = 0\text{ V}$ ;  $T_{amb} = -40\text{ }^{\circ}\text{C to }+85\text{ }^{\circ}\text{C}$ , unless otherwise specified.

| Symbol                      | Parameter                        | Conditions  | Min              | Typ   | Max            | Unit          |
|-----------------------------|----------------------------------|---|------------------|-------|----------------|---------------|
|                             |                                  | $V_{DD}$ or $V_{BAT} = 1.8\text{ V}$  | <sup>[3]</sup> - | 1 750 | -              | nA            |
|                             |                                  | $V_{DD}$ or $V_{BAT} = 3.3\text{ V}$  | <sup>[3]</sup> - | 2 150 | -              | nA            |
|                             |                                  | $V_{DD}$ or $V_{BAT} = 4.2\text{ V}$  | <sup>[3]</sup> - | 2 350 | 3 500          | nA            |
|                             |                                  | PWRMNG[2:0] = 000 (see Table 18);<br>TSOFF = 0 (see Table 57);<br>COF[2:0] = 000 (see Table 14)     |                  |       |                |               |
|                             |                                  | $V_{DD}$ or $V_{BAT} = 1.8\text{ V}$  | <sup>[3]</sup> - | 1 840 | -              | nA            |
|                             |                                  | $V_{DD}$ or $V_{BAT} = 3.3\text{ V}$  | <sup>[3]</sup> - | 2 300 | -              | nA            |
|                             |                                  | $V_{DD}$ or $V_{BAT} = 4.2\text{ V}$  | <sup>[3]</sup> - | 2 600 | -              | nA            |
| $I_{L(bat)}$                | battery leakage current          | $V_{DD}$ is active supply;<br>$V_{BAT} = 3.0\text{ V}$  | -                | 50    | 100            | nA            |
| <b>Power management</b>     |                                  |   |                  |       |                |               |
| $V_{th(sw)bat}$             | battery switch threshold voltage |   | -                | 2.5   | -              | V             |
| $V_{th(bat)low}$            | low battery threshold voltage    |   | -                | 2.5   | -              | V             |
|                             |                                  | $T_{amb} = 25\text{ }^{\circ}\text{C}$  | 2.25             | -     | 2.85           | V             |
| <b>Inputs<sup>[4]</sup></b> |                                  |   |                  |       |                |               |
| $V_i$                       | input voltage                    |   | -0.5             | -     | $V_{DD} + 0.5$ | V             |
| $V_{iL}$                    | LOW-level input voltage          |   | -                | -     | $0.25V_{DD}$   | V             |
|                             |                                  | $T_{amb} = -20\text{ }^{\circ}\text{C to }+85\text{ }^{\circ}\text{C}$ ;<br>$V_{DD} > 2.0\text{ V}$ | -                | -     | $0.3V_{DD}$    | V             |
| $V_{iH}$                    | HIGH-level input voltage         |   | $0.7V_{DD}$      | -     | -              | V             |
| $I_{Li}$                    | input leakage current            | $V_i = V_{DD}$ or $V_{SS}$  | -                | 0     | -              | $\mu\text{A}$ |
|                             |                                  | post ESD event  | -1               | -     | +1             | $\mu\text{A}$ |
| $C_i$                       | input capacitance                |   | <sup>[5]</sup> - | -     | 7              | pF            |
| <b>Outputs</b>              |                                  |   |                  |       |                |               |
| $V_o$                       | output voltage                   | on pins CLKOUT, INT, referring to external pull-up  | -0.5             | -     | +5.5           | V             |
|                             |                                  | on pin BBS  | 1.8              | -     | 4.2            | V             |
|                             |                                  | on pin SDO  | -0.5             | -     | $V_{DD} + 0.5$ | V             |
| $V_{oH}$                    | HIGH output voltage              | on pin SDO  | $0.8V_{DD}$      | -     | $V_{DD}$       | V             |
| $V_{oL}$                    | LOW output voltage               | on pins CLKOUT, INT, and SDO  | $V_{SS}$         | -     | $0.2V_{DD}$    | V             |
| $I_{oL}$                    | LOW-level output current         | output sink current;<br>$V_{oL} = 0.4\text{ V}$   |                  |       |                |               |
|                             |                                  | on pin SDA/CE   | <sup>[6]</sup> 3 | 17    | -              | mA            |
|                             |                                  | on all other outputs  | 1.0              | -     | -              | mA            |

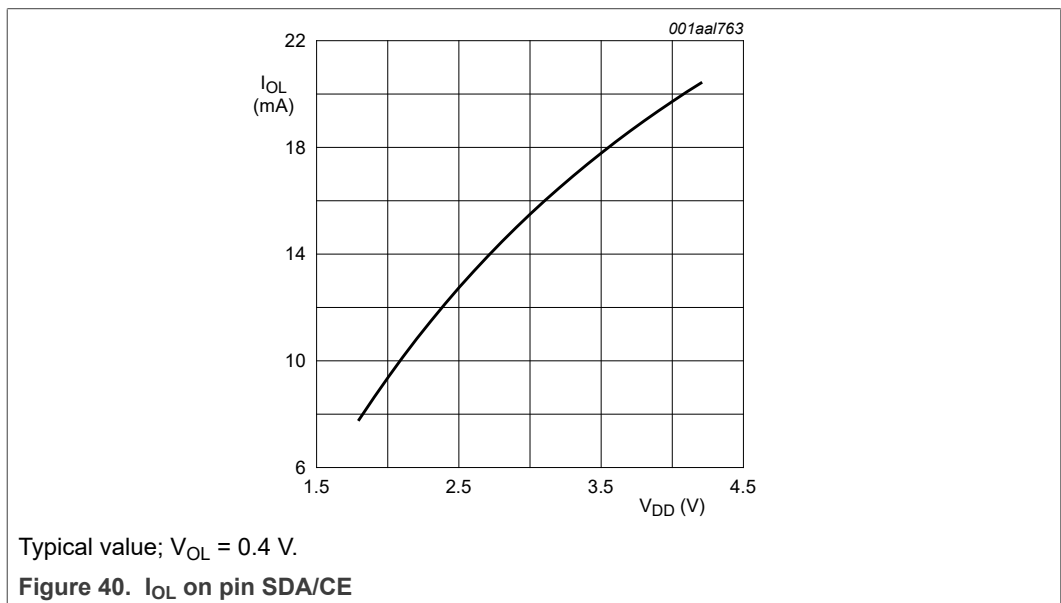
Table 78. Static characteristics...continued

$V_{DD} = 1.8\text{ V to }4.2\text{ V}$ ;  $V_{SS} = 0\text{ V}$ ;  $T_{amb} = -40\text{ }^{\circ}\text{C to }+85\text{ }^{\circ}\text{C}$ , unless otherwise specified.

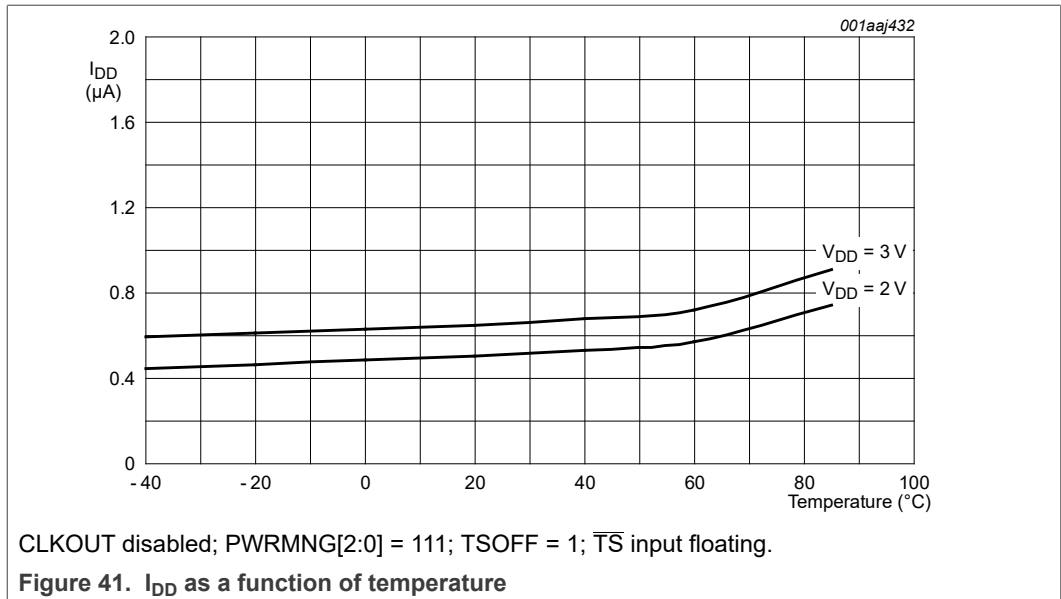
| Symbol   | Parameter                 | Conditions  | Min | Typ | Max | Unit          |
|----------|---------------------------|---|-----|-----|-----|---------------|
| $I_{OH}$ | HIGH-level output current | output source current;<br>on pin SDO;<br>$V_{OH} = 3.8\text{ V}$ ;<br>$V_{DD} = 4.2\text{ V}$ | 1.0 | -   | -   | mA            |
| $I_{LO}$ | output leakage current    | $V_O = V_{DD}$ or $V_{SS}$  | -   | 0   | -   | $\mu\text{A}$ |
|          |                           | post ESD event  | -1  | -   | +1  | $\mu\text{A}$ |

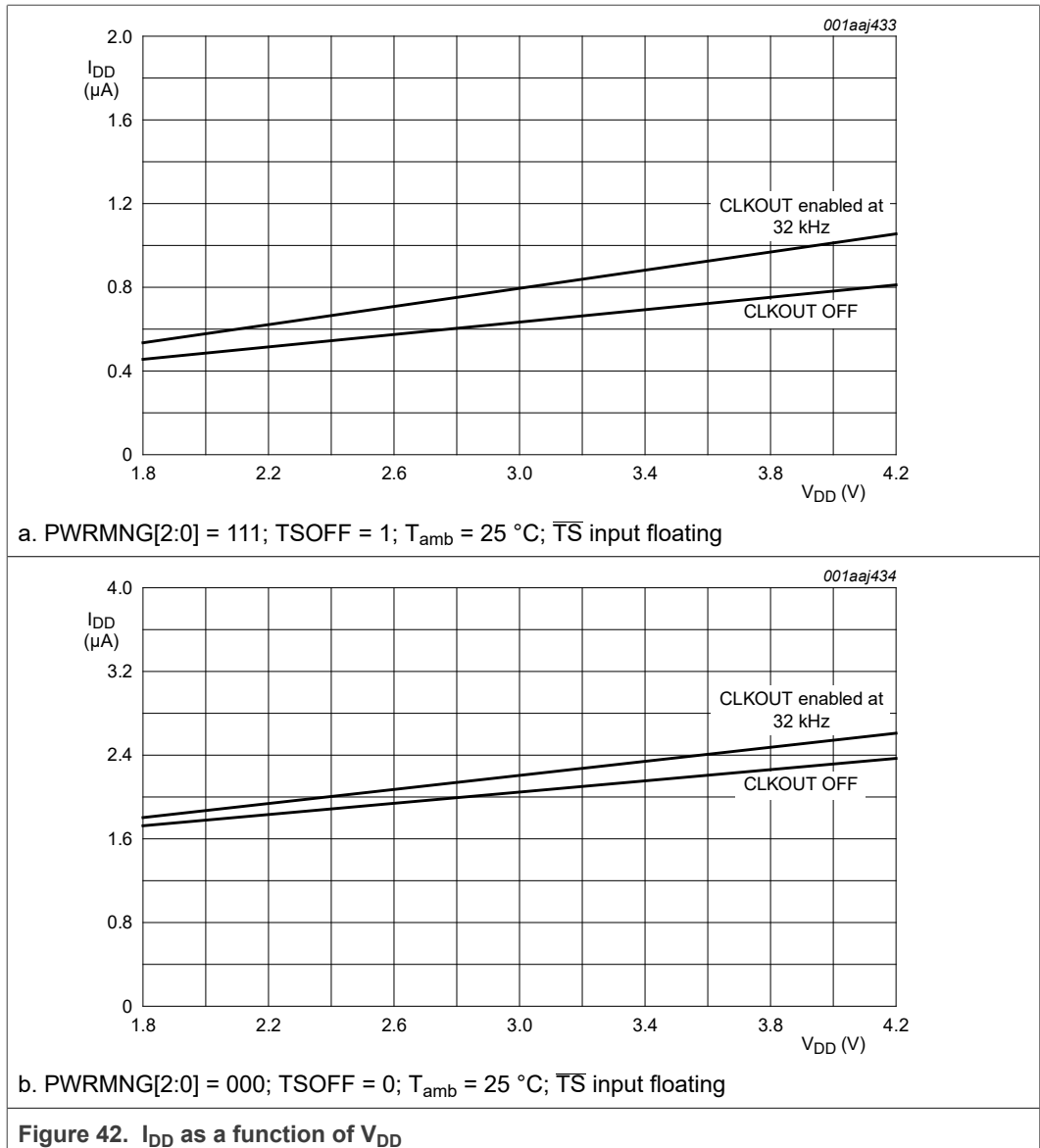
- [1] For reliable oscillator start-up at power-on:  $V_{DD(po)min} = V_{DD(min)} + 0.3\text{ V}$ .
- [2] Timer source clock =  $\frac{1}{60}$  Hz, level of pins SDA/CE, SDI, and SCL is  $V_{DD}$  or  $V_{SS}$ .
- [3] When the device is supplied by the  $V_{BAT}$  pin instead of the  $V_{DD}$  pin, the current values for  $I_{BAT}$  are as specified for  $I_{DD}$  under the same conditions.
- [4] The I<sup>2</sup>C-bus and SPI-bus interfaces of PCF2129 are 5 V tolerant.
- [5] Tested on sample basis.
- [6] For further information, see [Figure 40](#).

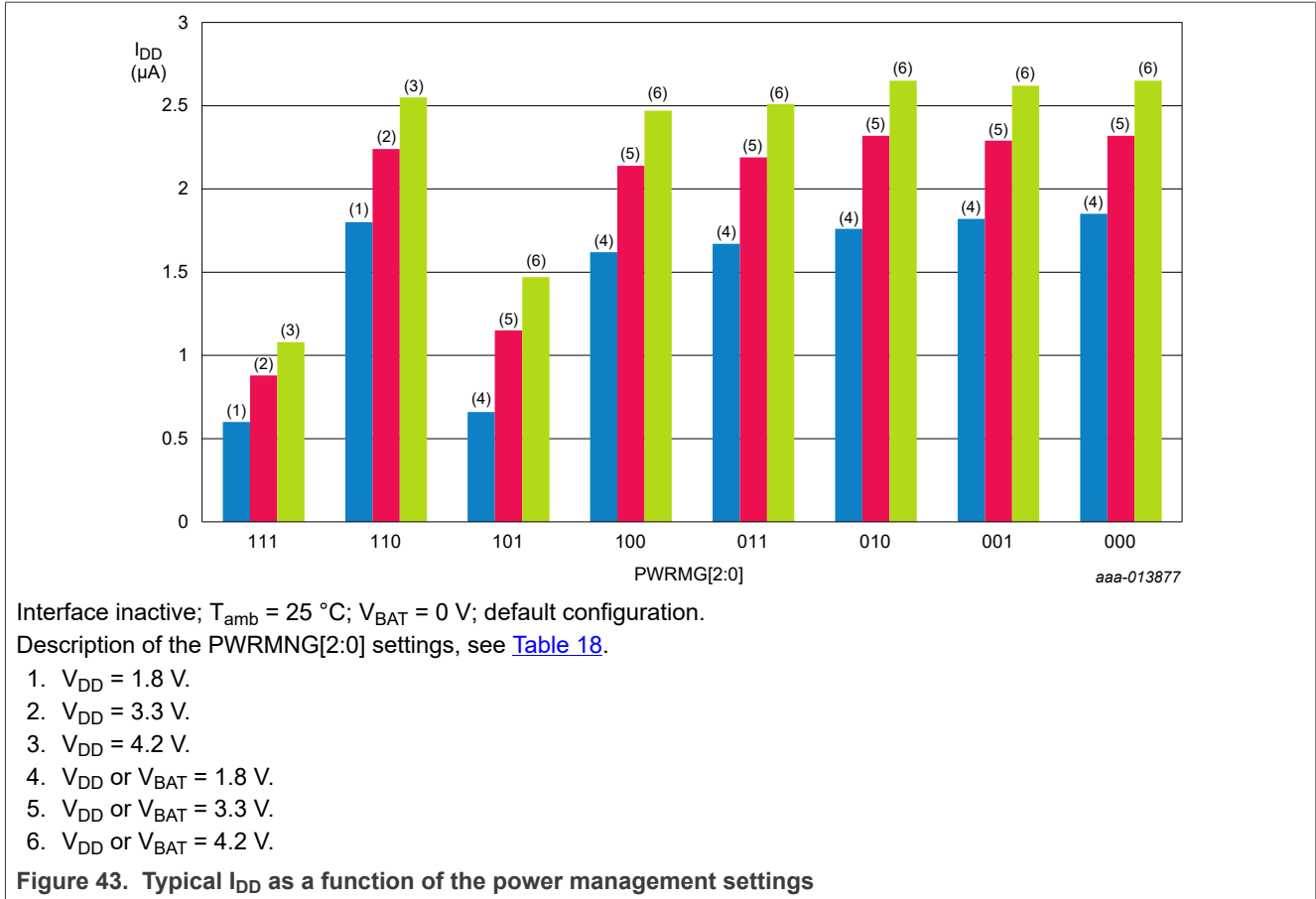
### 12.1 Current consumption characteristics, typical











## 12.2 Frequency characteristics

**Table 79. Frequency characteristics**

V<sub>DD</sub> = 1.8 V to 4.2 V; V<sub>SS</sub> = 0 V; T<sub>amb</sub> = +25 °C, unless otherwise specified.

| Symbol         | Parameter           | Conditions  | Min    | Typ    | Max | Unit |     |
|----------------|---------------------|---|--------|--------|-----|------|-----|
| f <sub>o</sub> | output frequency    | on pin CLKOUT;<br>V <sub>DD</sub> or V <sub>BAT</sub> = 3.3 V;<br>COF[2:0] = 000;<br>AO[3:0] = 1000 | -      | 32.768 | -   | kHz  |     |
| Δf/f           | frequency stability | V <sub>DD</sub> or V <sub>BAT</sub> = 3.3 V   |        |        |     |      |     |
|                |                     | PCF2129AT   |        |        |     |      |     |
|                |                     | T <sub>amb</sub> = -15 °C to +60 °C   | [1][2] | -      | ±3  | ±5   | ppm |
|                |                     | T <sub>amb</sub> = -25 °C to -15 °C<br>and<br>T <sub>amb</sub> = +60 °C to +65 °C                   | [1][2] | -      | ±5  | ±10  | ppm |
|                |                     | PCF2129T  |        |        |     |      |     |
|                |                     | T <sub>amb</sub> = -30 °C to +80 °C   | [1][2] | -      | ±3  | ±8   | ppm |
|                |                     | T <sub>amb</sub> = -40 °C to -30 °C<br>and<br>T <sub>amb</sub> = +80 °C to +85 °C                   | [1][2] | -      | ±5  | ±15  | ppm |

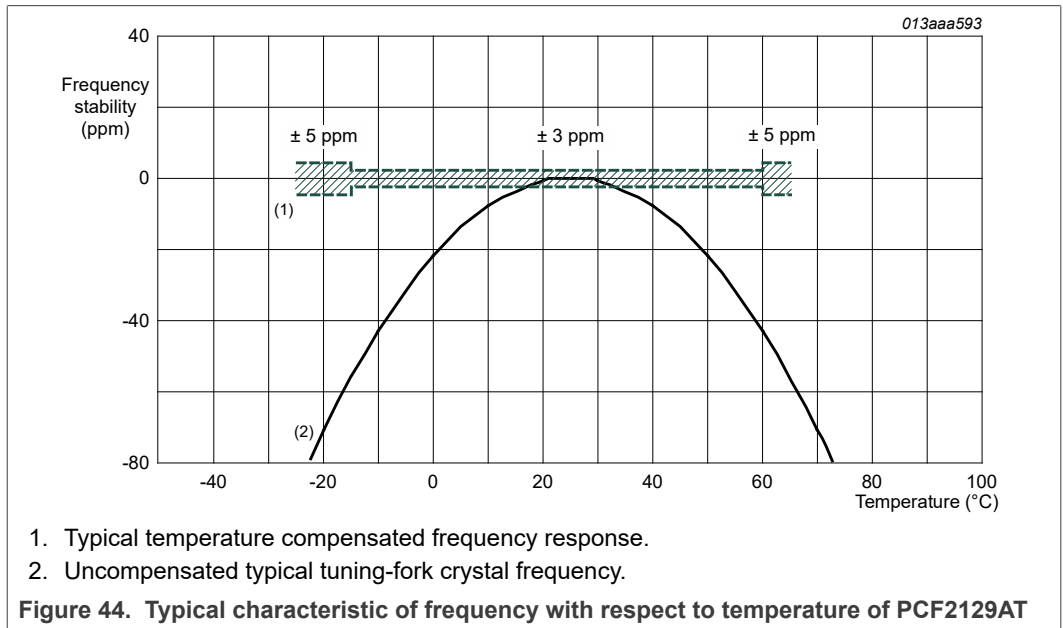
Accurate RTC with integrated quartz crystal for industrial applications

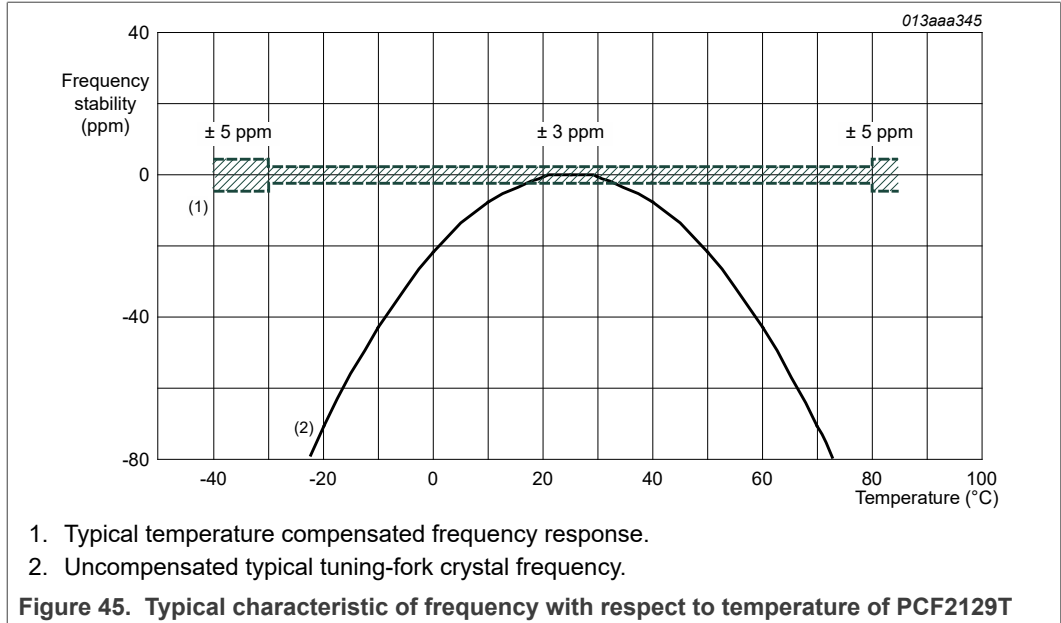
Table 79. Frequency characteristics...continued

$V_{DD} = 1.8\text{ V to }4.2\text{ V}$ ;  $V_{SS} = 0\text{ V}$ ;  $T_{amb} = +25\text{ }^{\circ}\text{C}$ , unless otherwise specified.

| Symbol                                   | Parameter                            | Conditions  | Min | Typ     | Max | Unit    |     |
|--|--------------------------------------|---|-----|---------|-----|---------|-----|
| $\Delta f_{\text{xtal}}/f_{\text{xtal}}$ | relative crystal frequency variation | crystal aging                                       |     |         |     |         |     |
|  |                                      | PCF2129AT   |     |         |     |         |     |
|  |                                      | first year;<br>$V_{DD}$ or $V_{BAT} = 3.3\text{ V}$ | [3] | -       | -   | $\pm 3$ | ppm |
|  |                                      | PCF2129T  |     |         |     |         |     |
|  |                                      | first year  | [3] | -       | -   | $\pm 3$ | ppm |
|  |                                      | ten years   |     | -       | -   | $\pm 8$ | ppm |
| $\Delta f/\Delta V$                      | frequency variation with voltage     | on pin CLKOUT                                       | -   | $\pm 1$ | -   | ppm/V   |     |

- [1]  $\pm 1\text{ ppm}$  corresponds to a time deviation of  $\pm 0.0864$  seconds per day.
- [2] Only valid if CLKOUT frequencies are not equal to 32.768 kHz or if CLKOUT is disabled.
- [3] Not production tested. Effects of reflow soldering are included (see [1]).





### 13 Dynamic characteristics

#### 13.1 SPI-bus timing characteristics

Table 80. SPI-bus characteristics

$V_{DD} = 1.8\text{ V to }4.2\text{ V}$ ;  $V_{SS} = 0\text{ V}$ ;  $T_{amb} = -40\text{ °C to }+85\text{ °C}$ , unless otherwise specified. All timing values are valid within the operating supply voltage at ambient temperature and referenced to  $V_{IL}$  and  $V_{IH}$  with an input voltage swing of  $V_{SS}$  to  $V_{DD}$  (see Figure 46).

| Symbol            | Parameter           | Conditions               | $V_{DD} = 1.8\text{ V}$ |      | $V_{DD} = 4.2\text{ V}$ |      | Unit |
|-------------------|---------------------|--------------------------|-------------------------|------|-------------------------|------|------|
|                   |                     |                          | Min                     | Max  | Min                     | Max  |      |
| <b>Pin SCL</b>    |                     |                          |                         |      |                         |      |      |
| $f_{clk(SCL)}$    | SCL clock frequency |                          | -                       | 2.0  | -                       | 6.5  | MHz  |
| $t_{SCL}$         | SCL time            |                          | 800                     | -    | 140                     | -    | ns   |
| $t_{clk(H)}$      | clock HIGH time     |                          | 100                     | -    | 70                      | -    | ns   |
| $t_{clk(L)}$      | clock LOW time      |                          | 400                     | -    | 70                      | -    | ns   |
| $t_r$             | rise time           | for SCL signal           | -                       | 100  | -                       | 100  | ns   |
| $t_f$             | fall time           | for SCL signal           | -                       | 100  | -                       | 100  | ns   |
| <b>Pin SDA/CE</b> |                     |                          |                         |      |                         |      |      |
| $t_{su(CE\_N)}$   | CE_N set-up time    |                          | 60                      | -    | 30                      | -    | ns   |
| $t_{h(CE\_N)}$    | CE_N hold time      |                          | 40                      | -    | 25                      | -    | ns   |
| $t_{rec(CE\_N)}$  | CE_N recovery time  |                          | 100                     | -    | 30                      | -    | ns   |
| $t_w(CE\_N)$      | CE_N pulse width    |                          | -                       | 0.99 | -                       | 0.99 | s    |
| <b>Pin SDI</b>    |                     |                          |                         |      |                         |      |      |
| $t_{su}$          | set-up time         | set-up time for SDI data | 70                      | -    | 20                      | -    | ns   |

Table 80. SPI-bus characteristics...continued

$V_{DD} = 1.8\text{ V to }4.2\text{ V}$ ;  $V_{SS} = 0\text{ V}$ ;  $T_{amb} = -40\text{ }^{\circ}\text{C to }+85\text{ }^{\circ}\text{C}$ , unless otherwise specified. All timing values are valid within the operating supply voltage at ambient temperature and referenced to  $V_{IL}$  and  $V_{IH}$  with an input voltage swing of  $V_{SS}$  to  $V_{DD}$  (see Figure 46).

| Symbol         | Parameter                       | Conditions             | $V_{DD} = 1.8\text{ V}$ |     | $V_{DD} = 4.2\text{ V}$ |     | Unit |
|----------------|---------------------------------|------------------------|-------------------------|-----|-------------------------|-----|------|
|                |                                 |                        | Min                     | Max | Min                     | Max |      |
| $t_h$          | hold time                       | hold time for SDI data | 70                      | -   | 20                      | -   | ns   |
| <b>Pin SDO</b> |                                 |                        |                         |     |                         |     |      |
| $t_{d(R)SDO}$  | SDO read delay time             | $C_L = 50\text{ pF}$   | -                       | 225 | -                       | 55  | ns   |
| $t_{dis(SDO)}$ | SDO disable time                |                        | [1]                     | 90  | -                       | 25  | ns   |
| $t_t(SDI-SDO)$ | transition time from SDI to SDO | to avoid bus conflict  | 0                       | -   | 0                       | -   | ns   |

[1] No load value; bus is held up by bus capacitance; use RC time constant with application values.

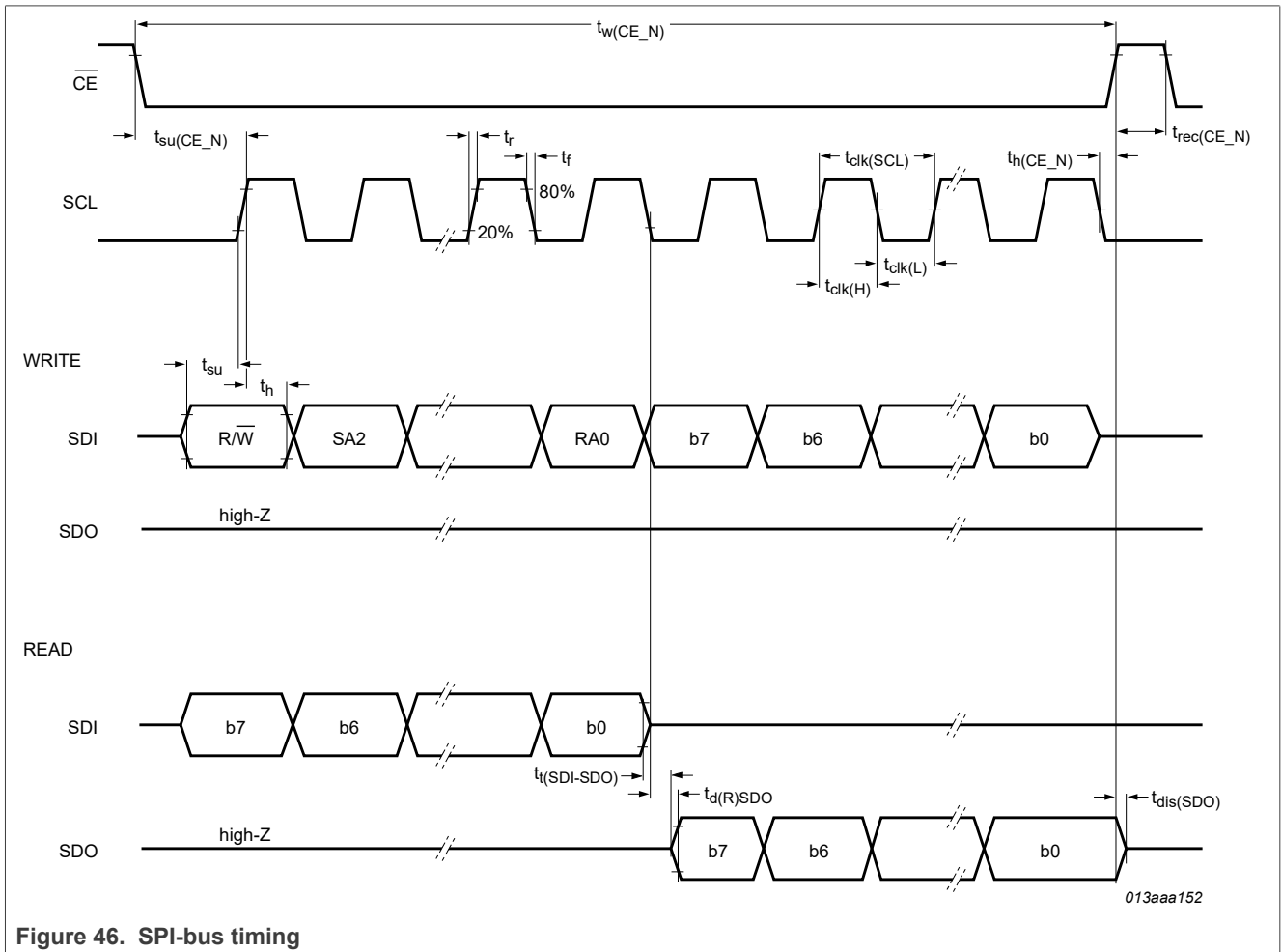


Figure 46. SPI-bus timing

## 13.2 I<sup>2</sup>C-bus timing characteristics

Table 81. I<sup>2</sup>C-bus characteristics

All timing characteristics are valid within the operating supply voltage and ambient temperature range and reference to 30 % and 70 % with an input voltage swing of  $V_{SS}$  to  $V_{DD}$  (see Figure 47).

| Symbol                     | Parameter   | Standard mode |       | Fast-mode (Fm) |     | Unit    |
|----------------------------|---|---------------|-------|----------------|-----|---------|
|                            |   | Min           | Max   | Min            | Max |         |
| <b>Pin SCL</b>             |   |               |       |                |     |         |
| $f_{SCL}$                  | SCL clock frequency   | [1] 0         | 100   | 0              | 400 | kHz     |
| $t_{LOW}$                  | LOW period of the SCL clock                                       | 4.7           | -     | 1.3            | -   | $\mu$ s |
| $t_{HIGH}$                 | HIGH period of the SCL clock                                      | 4.0           | -     | 0.6            | -   | $\mu$ s |
| <b>Pin SDA/CE</b>          |   |               |       |                |     |         |
| $t_{SU,DAT}$               | data set-up time  | 250           | -     | 100            | -   | ns      |
| $t_{HD,DAT}$               | data hold time  | 0             | -     | 0              | -   | ns      |
| <b>Pins SCL and SDA/CE</b> |   |               |       |                |     |         |
| $t_{BUF}$                  | bus free time between a STOP and START condition                  | 4.7           | -     | 1.3            | -   | $\mu$ s |
| $t_{SU,STO}$               | set-up time for STOP condition                                    | 4.0           | -     | 0.6            | -   | $\mu$ s |
| $t_{HD,STA}$               | hold time (repeated) START condition                              | 4.0           | -     | 0.6            | -   | $\mu$ s |
| $t_{SU,STA}$               | set-up time for a repeated START condition                        | 4.7           | -     | 0.6            | -   | $\mu$ s |
| $t_r$                      | rise time of both SDA and SCL signals                             | [2][3][4] -   | 1 000 | $20 + 0.1C_b$  | 300 | ns      |
| $t_f$                      | fall time of both SDA and SCL signals                             | [2][3][4] -   | 300   | $20 + 0.1C_b$  | 300 | ns      |
| $t_{VD,ACK}$               | data valid acknowledge time                                       | [5] 0.1       | 3.45  | 0.1            | 0.9 | $\mu$ s |
| $t_{VD,DAT}$               | data valid time   | [6] 300       | -     | 75             | -   | ns      |
| $t_{SP}$                   | pulse width of spikes that must be suppressed by the input filter | [7] -         | 50    | -              | 50  | ns      |

[1] The minimum SCL clock frequency is limited by the bus time-out feature which resets the serial bus interface if either the SDA or SCL is held LOW for a minimum of 25 ms. The bus time-out feature must be disabled for DC operation.

[2] A master device must internally provide a hold time of at least 300 ns for the SDA signal (refer to the  $V_{IL}$  of the SCL signal) in order to bridge the undefined region of the falling edge of SCL.

[3]  $C_b$  is the total capacitance of one bus line in pF.

[4] The maximum  $t_r$  for the SDA and SCL bus lines is 300 ns. The maximum fall time for the SDA output stage,  $t_f$  is 250 ns. This allows series protection resistors to be connected between the SDA/CE pin, the SCL pin, and the SDA/SCL bus lines without exceeding the maximum  $t_r$ .

[5]  $t_{VD,ACK}$  is the time of the acknowledgement signal from SCL LOW to SDA (out) LOW.

[6]  $t_{VD,DAT}$  is the minimum time for valid SDA (out) data following SCL LOW.

[7] Input filters on the SDA and SCL inputs suppress noise spikes of less than 50 ns.

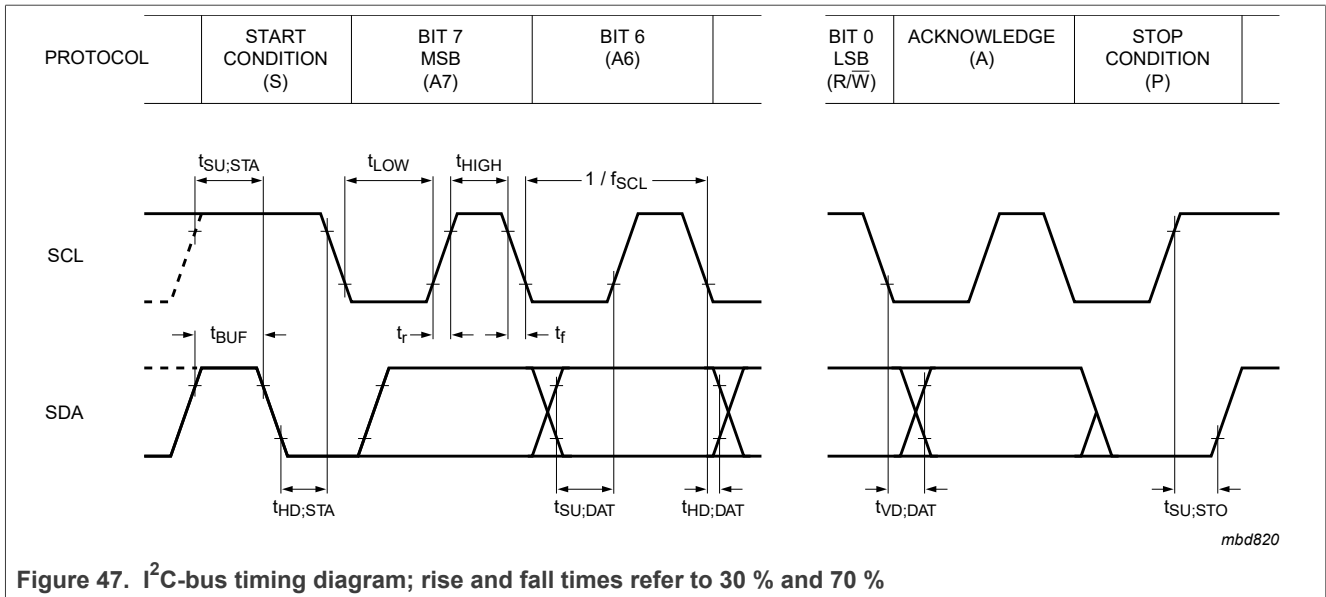
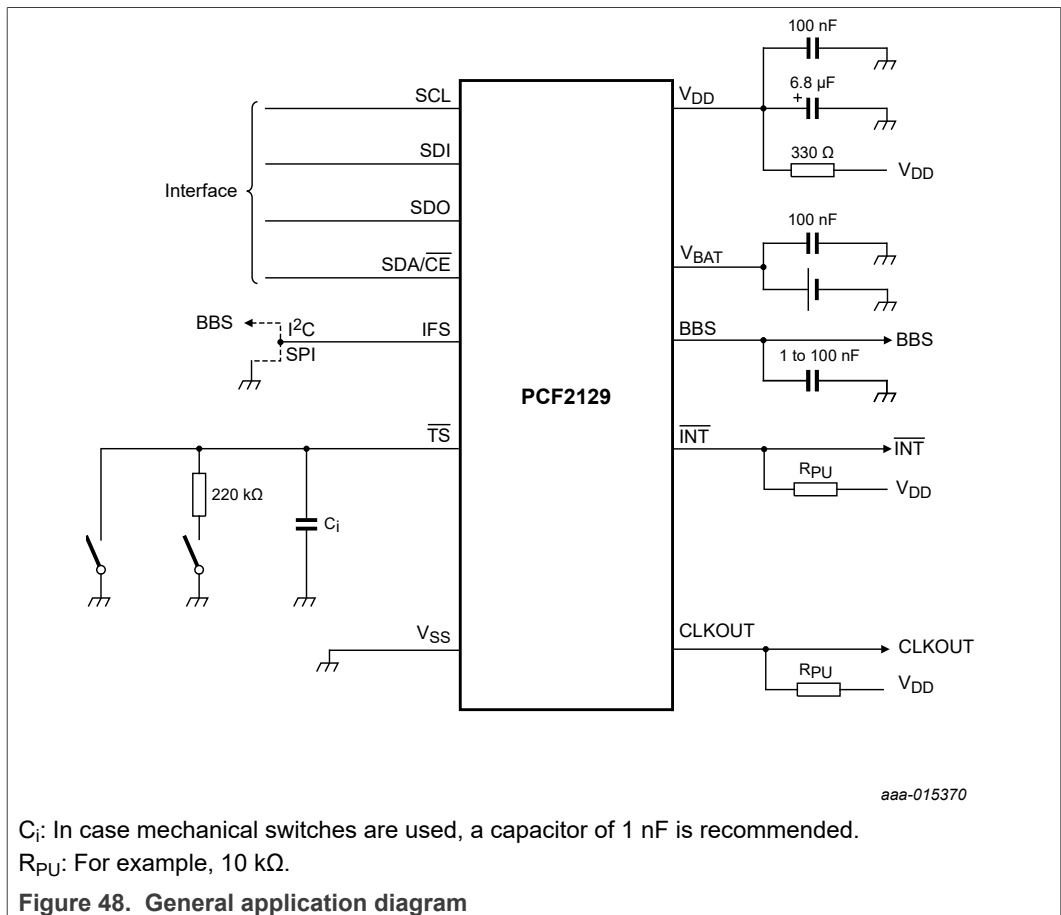


Figure 47. I<sup>2</sup>C-bus timing diagram; rise and fall times refer to 30 % and 70 %

## 14 Application information



For information about application configuration, see [\[1\]](#).



## 15 Test information

### 15.1 Quality information

#### UL Component Recognition

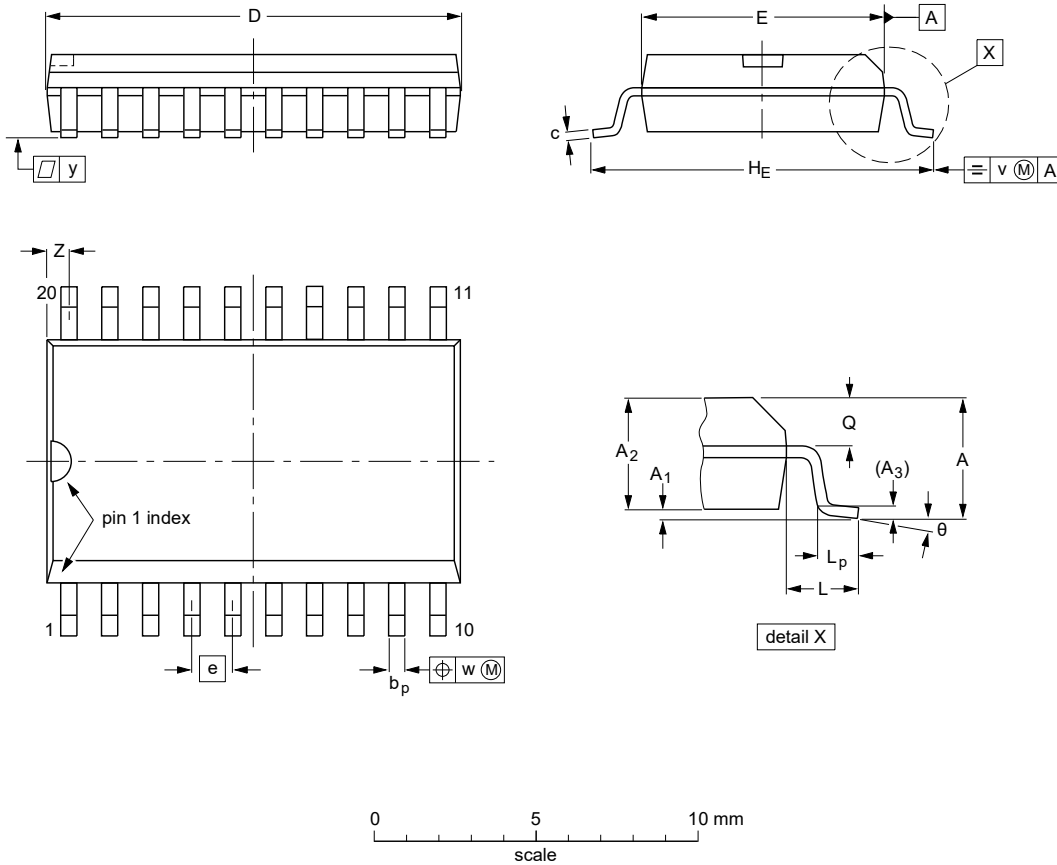


This (component or material) is Recognized by UL. Representative samples of this component have been evaluated by UL and meet applicable UL requirements.

16 Package outline

SO20: plastic small outline package; 20 leads; body width 7.5 mm

SOT163-1



DIMENSIONS (inch dimensions are derived from the original mm dimensions)

| UNIT   | A max. | A <sub>1</sub> | A <sub>2</sub> | A <sub>3</sub> | b <sub>p</sub> | c              | D <sup>(1)</sup> | E <sup>(1)</sup> | e    | H <sub>E</sub> | L     | L <sub>p</sub> | Q              | v    | w    | y     | Z <sup>(1)</sup> | θ        |
|--------|--------|----------------|----------------|----------------|----------------|----------------|------------------|------------------|------|----------------|-------|----------------|----------------|------|------|-------|------------------|----------|
| mm     | 2.65   | 0.3<br>0.1     | 2.45<br>2.25   | 0.25           | 0.49<br>0.36   | 0.32<br>0.23   | 13.0<br>12.6     | 7.6<br>7.4       | 1.27 | 10.65<br>10.00 | 1.4   | 1.1<br>0.4     | 1.1<br>1.0     | 0.25 | 0.25 | 0.1   | 0.9<br>0.4       | 8°<br>0° |
| inches | 0.1    | 0.012<br>0.004 | 0.096<br>0.089 | 0.01           | 0.019<br>0.014 | 0.013<br>0.009 | 0.51<br>0.49     | 0.30<br>0.29     | 0.05 | 0.419<br>0.394 | 0.055 | 0.043<br>0.016 | 0.043<br>0.039 | 0.01 | 0.01 | 0.004 | 0.035<br>0.016   |          |

Note

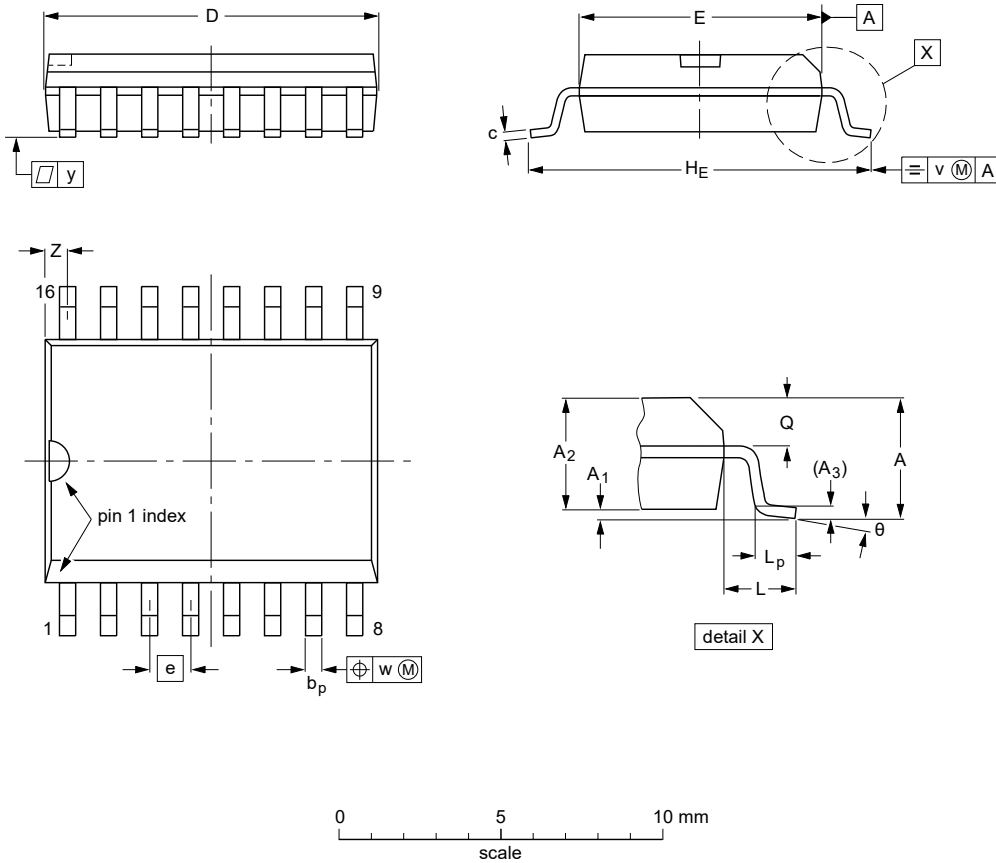
1. Plastic or metal protrusions of 0.15 mm (0.006 inch) maximum per side are not included.

| OUTLINE VERSION | REFERENCES |        |       | EUROPEAN PROJECTION | ISSUE DATE           |
|-----------------|------------|--------|-------|---------------------|----------------------|
|                 | IEC        | JEDEC  | JEITA |                     |                      |
| SOT163-1        | 075E04     | MS-013 |       |                     | 99-12-27<br>03-02-19 |

Figure 49. Package outline SOT163-1 (SO20) of PCF2129AT

SO16: plastic small outline package; 16 leads; body width 7.5 mm

SOT162-1



**DIMENSIONS (inch dimensions are derived from the original mm dimensions)**

| UNIT   | A max. | A <sub>1</sub> | A <sub>2</sub> | A <sub>3</sub> | b <sub>p</sub> | c              | D <sup>(1)</sup> | E <sup>(1)</sup> | e    | H <sub>E</sub> | L     | L <sub>p</sub> | Q              | v    | w    | y     | Z <sup>(1)</sup> | θ        |
|--------|--------|----------------|----------------|----------------|----------------|----------------|------------------|------------------|------|----------------|-------|----------------|----------------|------|------|-------|------------------|----------|
| mm     | 2.65   | 0.3<br>0.1     | 2.45<br>2.25   | 0.25           | 0.49<br>0.36   | 0.32<br>0.23   | 10.5<br>10.1     | 7.6<br>7.4       | 1.27 | 10.65<br>10.00 | 1.4   | 1.1<br>0.4     | 1.1<br>1.0     | 0.25 | 0.25 | 0.1   | 0.9<br>0.4       | 8°<br>0° |
| inches | 0.1    | 0.012<br>0.004 | 0.096<br>0.089 | 0.01           | 0.019<br>0.014 | 0.013<br>0.009 | 0.41<br>0.40     | 0.30<br>0.29     | 0.05 | 0.419<br>0.394 | 0.055 | 0.043<br>0.016 | 0.043<br>0.039 | 0.01 | 0.01 | 0.004 | 0.035<br>0.016   |          |

**Note**

1. Plastic or metal protrusions of 0.15 mm (0.006 inch) maximum per side are not included.

| OUTLINE VERSION | REFERENCES |        |       |  | EUROPEAN PROJECTION | ISSUE DATE           |
|-----------------|------------|--------|-------|--|---------------------|----------------------|
|                 | IEC        | JEDEC  | JEITA |  |                     |                      |
| SOT162-1        | 075E03     | MS-013 |       |  |                     | 99-12-27<br>03-02-19 |

Figure 50. Package outline SOT162-1 (SO16) of PCF2129T

## 17 Packing information

### 17.1 Tape and reel information

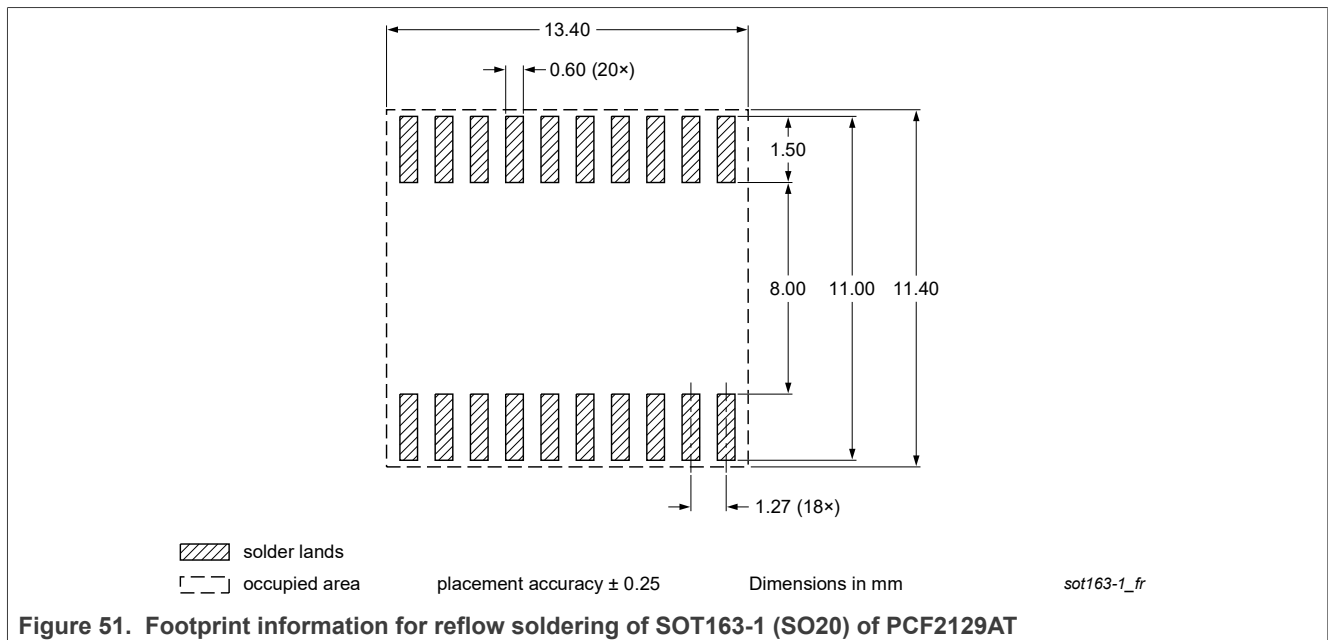
For tape and reel packing information, see

- [5] for the PCF2129T.
- [6] for the PCF2129AT.

## 18 Soldering

For information about soldering, see [1].

### 18.1 Footprint information



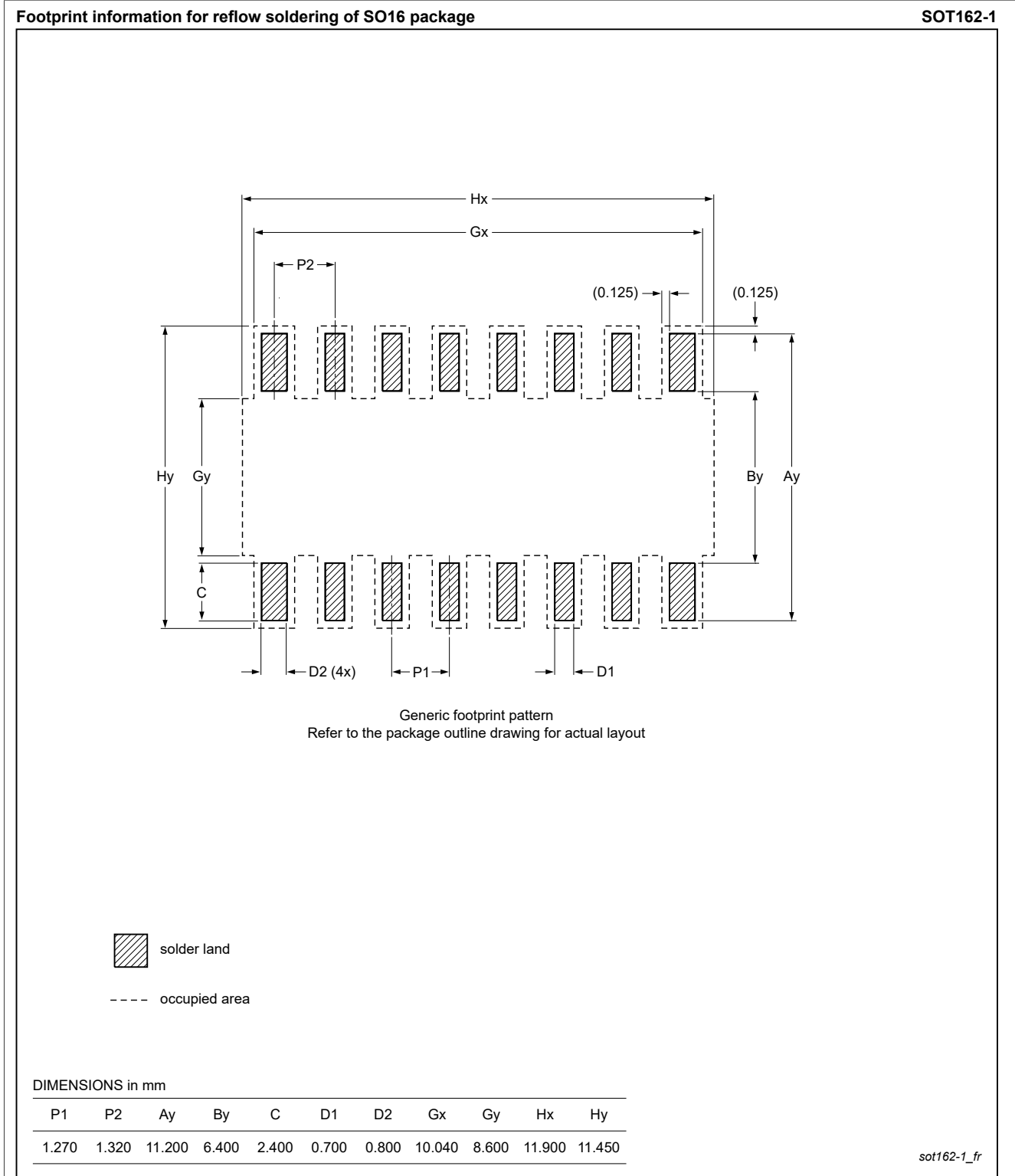


Figure 52. Footprint information for reflow soldering of SOT162-1 (SO16) of PCF2129T

## 19 Appendix

## 19.1 Real-Time Clock selection

Table 82. Selection of Real-Time Clocks

| Type name | Alarm, Timer, Watchdog | Interrupt output | Interface                | I <sub>DD</sub> , typical (nA) | Battery backup | Timestamp, tamper input | AEC-Q100 compliant | Special features   | Packages                         |
|-----------|------------------------|------------------|--------------------------|--------------------------------|----------------|-------------------------|--------------------|--|----------------------------------|
| PCF8563   | X                      | 1                | I <sup>2</sup> C         | 250                            | -              | -                       | -                  | -  | SO8, TSSOP8, HVSON10             |
| PCF8564A  | X                      | 1                | I <sup>2</sup> C         | 250                            | -              | -                       | -                  | integrated oscillator caps   | WLCSP                            |
| PCA8565   | X                      | 1                | I <sup>2</sup> C         | 600                            | -              | -                       | grade 1            | high robustness, T <sub>amb</sub> = -40 °C to 125 °C               | TSSOP8, HVSON10                  |
| PCA8565A  | X                      | 1                | I <sup>2</sup> C         | 600                            | -              | -                       | -                  | integrated oscillator caps, T <sub>amb</sub> = -40 °C to 125 °C    | WLCSP                            |
| PCF85063  | -                      | 1                | I <sup>2</sup> C         | 220                            | -              | -                       | -                  | basic functions only, no alarm                                     | HXSON8                           |
| PCF85063A | X                      | 1                | I <sup>2</sup> C         | 220                            | -              | -                       | -                  | tiny package   | SO8, DFN2626-10                  |
| PCF85063B | X                      | 1                | SPI                      | 220                            | -              | -                       | -                  | tiny package   | DFN2626-10                       |
| PCF85263A | X                      | 2                | I <sup>2</sup> C         | 230                            | X              | X                       | -                  | time stamp, battery backup, stopwatch 1/100 s                      | SO8, TSSOP10, TSSOP8, DFN2626-10 |
| PCF85263B | X                      | 2                | SPI                      | 230                            | X              | X                       | -                  | time stamp, battery backup, stopwatch 1/100s                       | TSSOP10, DFN2626-10              |
| PCF85363A | X                      | 2                | I <sup>2</sup> C         | 230                            | X              | X                       | -                  | time stamp, battery backup, stopwatch 1/100s, 64 Byte RAM          | TSSOP10, DFN2626-10              |
| PCF85363B | X                      | 2                | SPI                      | 230                            | X              | X                       | -                  | time stamp, battery backup, stopwatch 1/100s, 64 Byte RAM          | TSSOP10, DFN2626-10              |
| PCF8523   | X                      | 2                | I <sup>2</sup> C         | 150                            | X              | -                       | -                  | lowest power 150 nA in operation, FM+ 1 MHz                        | SO8, HVSON8, TSSOP14, WLCSP      |
| PCF2123   | X                      | 1                | SPI                      | 100                            | -              | -                       | -                  | lowest power 100 nA in operation                                   | TSSOP14, HVQFN16                 |
| PCF2127   | X                      | 1                | I <sup>2</sup> C and SPI | 500                            | X              | X                       | -                  | temperature compensated, quartz built in, calibrated, 512 Byte RAM | SO16                             |
| PCF2127A  | X                      | 1                | I <sup>2</sup> C and SPI | 500                            | X              | X                       | -                  | temperature compensated, quartz built in, calibrated, 512 Byte RAM | SO20                             |

Table 82. Selection of Real-Time Clocks...continued

| Type name | Alarm, Timer, Watchdog | Interrupt output | Interface                | I <sub>DD</sub> , typical (nA) | Battery backup | Timestamp, tamper input | AEC-Q100 compliant | Special features                                     | Packages |
|-----------|------------------------|------------------|--------------------------|--------------------------------|----------------|-------------------------|--------------------|--|----------|
| PCF2129   | X                      | 1                | I <sup>2</sup> C and SPI | 500                            | X              | X                       | -                  | temperature compensated, quartz built in, calibrated | SO16     |
| PCF2129A  | X                      | 1                | I <sup>2</sup> C and SPI | 500                            | X              | X                       | -                  | temperature compensated, quartz built in, calibrated | SO20     |
| PCA2129   | X                      | 1                | I <sup>2</sup> C and SPI | 500                            | X              | X                       | grade 3            | temperature compensated, quartz built in, calibrated | SO16     |
| PCA21125  | X                      | 1                | SPI                      | 820                            | -              | -                       | grade 1            | high robustness, T <sub>amb</sub> = -40 °C to 125 °C | TSSOP14  |



## 20 Abbreviations

Table 83. Abbreviations

| Acronym          | Description                             |
|------------------|---|
| AM               | Ante Meridiem                           |
| BCD              | Binary Coded Decimal                    |
| CDM              | Charged Device Model                    |
| CMOS             | Complementary Metal-Oxide Semiconductor |
| DC               | Direct Current                          |
| GPS              | Global Positioning System               |
| HBM              | Human Body Model                        |
| I <sup>2</sup> C | Inter-Integrated Circuit                |
| IC               | Integrated Circuit                      |
| LSB              | Least Significant Bit                   |
| MCU              | Microcontroller Unit                    |
| MM               | Machine Model                           |
| MSB              | Most Significant Bit                    |
| PM               | Post Meridiem                           |
| POR              | Power-On Reset                          |
| PORO             | Power-On Reset Override                 |
| PPM              | Parts Per Million                       |
| RC               | Resistance-Capacitance                  |
| RTC              | Real-Time Clock                         |
| SCL              | Serial CLock line                       |
| SDA              | Serial DATa line                        |
| SPI              | Serial Peripheral Interface             |
| SRAM             | Static Random Access Memory             |
| TCXO             | Temperature Compensated Xtal Oscillator |
| Xtal             | crystal                                 |

## 21 References

- [1] AN11186 Application and soldering information for the PCA2129 and PCF2129 TCXO RTC
- [2] JESD22-A114 Electrostatic Discharge (ESD) Sensitivity Testing Human Body Model (HBM)
- [3] JESD22-C101 Field-Induced Charged-Device Model Test Method for Electrostatic-Discharge-Withstand Thresholds of Microelectronic Components
- [4] JESD78 IC Latch-Up Test
- [5] SOT162-1\_518 SO16; Reel pack; SMD, 13", packing information

- [6] SOT163-1\_518 SO20; Reel pack; SMD, 13", packing information
- [7] UM10204 I<sup>2</sup>C-bus specification and user manual
- [8] UM10569 Store and transport requirements

## 22 Revision history

Table 84. Revision history

| Document ID      | Release date  | Data sheet status  | Change notice | Supersedes                    |
|------------------|---|--------------------|---------------|-------------------------------|
| PCF2129 v.8      | 20220718  | Product data sheet | -             | PCF2129 v.7                   |
| Modifications:   | <ul style="list-style-type: none"> <li>• Added UL certification information</li> <li>• Updated layout of <a href="#">Section 4</a></li> </ul> |                    |               |                               |
| PCF2129 v.7      | 20141219  | Product data sheet | -             | PCF2129AT v.6<br>PCF2129T v.4 |
| <b>PCF2129AT</b> |   |                    |               |                               |
| PCF2127AT v.6    | 20130711  | Product data sheet | -             | PCF2127AT v.5                 |
| PCF2129AT v.5    | 20130212  | Product data sheet | -             | PCF2129AT v.4                 |
| PCF2129AT v.4    | 20121107  | Product data sheet | -             | PCF2129AT v.3                 |
| PCF2129AT v.3    | 20121004  | Product data sheet | -             | PCF2129AT v.2                 |
| PCF2129AT v.2    | 20100507  | Product data sheet | -             | PCF2129AT v.1                 |
| PCF2129AT v.1    | 20100113  | Product data sheet | -             | -                             |
| <b>PCF2129T</b>  |   |                    |               |                               |
| PCF2129T v.4     | 20130711  | Product data sheet | -             | PCF2129T v.3                  |
| PCF2129T v.3     | 20130212  | Product data sheet | -             | PCF2129T v.2                  |
| PCF2129T v.2     | 20121025  | Product data sheet | -             | PCF2129T v.1                  |
| PCF2129T v.1     | 20120618  | Product data sheet | -             | -                             |

## 23 Legal information

### 23.1 Data sheet status

| Document status <sup>[1][2]</sup> | Product status <sup>[3]</sup> | Definition  |
|-----------------------------------|-------------------------------|---|
| Objective [short] data sheet      | Development                   | This document contains data from the objective specification for product development. |
| Preliminary [short] data sheet    | Qualification                 | This document contains data from the preliminary specification.                       |
| Product [short] data sheet        | Production                    | This document contains the product specification.                                     |

[1] Please consult the most recently issued document before initiating or completing a design.

[2] The term 'short data sheet' is explained in section "Definitions".

[3] The product status of device(s) described in this document may have changed since this document was published and may differ in case of multiple devices. The latest product status information is available on the Internet at URL <http://www.nxp.com>.

### 23.2 Definitions

**Draft** — A draft status on a document indicates that the content is still under internal review and subject to formal approval, which may result in modifications or additions. NXP Semiconductors does not give any representations or warranties as to the accuracy or completeness of information included in a draft version of a document and shall have no liability for the consequences of use of such information.

**Short data sheet** — A short data sheet is an extract from a full data sheet with the same product type number(s) and title. A short data sheet is intended for quick reference only and should not be relied upon to contain detailed and full information. For detailed and full information see the relevant full data sheet, which is available on request via the local NXP Semiconductors sales office. In case of any inconsistency or conflict with the short data sheet, the full data sheet shall prevail.

**Product specification** — The information and data provided in a Product data sheet shall define the specification of the product as agreed between NXP Semiconductors and its customer, unless NXP Semiconductors and customer have explicitly agreed otherwise in writing. In no event however, shall an agreement be valid in which the NXP Semiconductors product is deemed to offer functions and qualities beyond those described in the Product data sheet.

### 23.3 Disclaimers

**Limited warranty and liability** — Information in this document is believed to be accurate and reliable. However, NXP Semiconductors does not give any representations or warranties, expressed or implied, as to the accuracy or completeness of such information and shall have no liability for the consequences of use of such information. NXP Semiconductors takes no responsibility for the content in this document if provided by an information source outside of NXP Semiconductors.

In no event shall NXP Semiconductors be liable for any indirect, incidental, punitive, special or consequential damages (including - without limitation - lost profits, lost savings, business interruption, costs related to the removal or replacement of any products or rework charges) whether or not such damages are based on tort (including negligence), warranty, breach of contract or any other legal theory.

Notwithstanding any damages that customer might incur for any reason whatsoever, NXP Semiconductors' aggregate and cumulative liability towards customer for the products described herein shall be limited in accordance with the Terms and conditions of commercial sale of NXP Semiconductors.

**Right to make changes** — NXP Semiconductors reserves the right to make changes to information published in this document, including without limitation specifications and product descriptions, at any time and without notice. This document supersedes and replaces all information supplied prior to the publication hereof.

**Suitability for use** — NXP Semiconductors products are not designed, authorized or warranted to be suitable for use in life support, life-critical or safety-critical systems or equipment, nor in applications where failure or malfunction of an NXP Semiconductors product can reasonably be expected to result in personal injury, death or severe property or environmental damage. NXP Semiconductors and its suppliers accept no liability for inclusion and/or use of NXP Semiconductors products in such equipment or applications and therefore such inclusion and/or use is at the customer's own risk.

**Applications** — Applications that are described herein for any of these products are for illustrative purposes only. NXP Semiconductors makes no representation or warranty that such applications will be suitable for the specified use without further testing or modification.

Customers are responsible for the design and operation of their applications and products using NXP Semiconductors products, and NXP Semiconductors accepts no liability for any assistance with applications or customer product design. It is customer's sole responsibility to determine whether the NXP Semiconductors product is suitable and fit for the customer's applications and products planned, as well as for the planned application and use of customer's third party customer(s). Customers should provide appropriate design and operating safeguards to minimize the risks associated with their applications and products.

NXP Semiconductors does not accept any liability related to any default, damage, costs or problem which is based on any weakness or default in the customer's applications or products, or the application or use by customer's third party customer(s). Customer is responsible for doing all necessary testing for the customer's applications and products using NXP Semiconductors products in order to avoid a default of the applications and the products or of the application or use by customer's third party customer(s). NXP does not accept any liability in this respect.

**Limiting values** — Stress above one or more limiting values (as defined in the Absolute Maximum Ratings System of IEC 60134) will cause permanent damage to the device. Limiting values are stress ratings only and (proper) operation of the device at these or any other conditions above those given in the Recommended operating conditions section (if present) or the Characteristics sections of this document is not warranted. Constant or repeated exposure to limiting values will permanently and irreversibly affect the quality and reliability of the device.

**Terms and conditions of commercial sale** — NXP Semiconductors products are sold subject to the general terms and conditions of commercial sale, as published at <http://www.nxp.com/profile/terms>, unless otherwise agreed in a valid written individual agreement. In case an individual agreement is concluded only the terms and conditions of the respective agreement shall apply. NXP Semiconductors hereby expressly objects to applying the customer's general terms and conditions with regard to the purchase of NXP Semiconductors products by customer.

**No offer to sell or license** — Nothing in this document may be interpreted or construed as an offer to sell products that is open for acceptance or the grant, conveyance or implication of any license under any copyrights, patents or other industrial or intellectual property rights.

## Accurate RTC with integrated quartz crystal for industrial applications

**Quick reference data** — The Quick reference data is an extract of the product data given in the Limiting values and Characteristics sections of this document, and as such is not complete, exhaustive or legally binding.

**Export control** — This document as well as the item(s) described herein may be subject to export control regulations. Export might require a prior authorization from competent authorities.

**Suitability for use in non-automotive qualified products** — Unless this data sheet expressly states that this specific NXP Semiconductors product is automotive qualified, the product is not suitable for automotive use. It is neither qualified nor tested in accordance with automotive testing or application requirements. NXP Semiconductors accepts no liability for inclusion and/or use of non-automotive qualified products in automotive equipment or applications.

In the event that customer uses the product for design-in and use in automotive applications to automotive specifications and standards, customer (a) shall use the product without NXP Semiconductors' warranty of the product for such automotive applications, use and specifications, and (b) whenever customer uses the product for automotive applications beyond NXP Semiconductors' specifications such use shall be solely at customer's own risk, and (c) customer fully indemnifies NXP Semiconductors for any liability, damages or failed product claims resulting from customer design and use of the product for automotive applications beyond NXP Semiconductors' standard warranty and NXP Semiconductors' product specifications.

**Translations** — A non-English (translated) version of a document, including the legal information in that document, is for reference only. The English version shall prevail in case of any discrepancy between the translated and English versions.

**Security** — Customer understands that all NXP products may be subject to unidentified vulnerabilities or may support established security standards or specifications with known limitations. Customer is responsible for the design and operation of its applications and products throughout their lifecycles to reduce the effect of these vulnerabilities on customer's applications and products. Customer's responsibility also extends to other open and/or proprietary technologies supported by NXP products for use in customer's applications. NXP accepts no liability for any vulnerability. Customer should regularly check security updates from NXP and follow up appropriately.

Customer shall select products with security features that best meet rules, regulations, and standards of the intended application and make the ultimate design decisions regarding its products and is solely responsible for compliance with all legal, regulatory, and security related requirements concerning its products, regardless of any information or support that may be provided by NXP.

NXP has a Product Security Incident Response Team (PSIRT) (reachable at [PSIRT@nxp.com](mailto:PSIRT@nxp.com)) that manages the investigation, reporting, and solution release to security vulnerabilities of NXP products.

## 23.4 Trademarks

Notice: All referenced brands, product names, service names, and trademarks are the property of their respective owners.

**NXP** — wordmark and logo are trademarks of NXP B.V.

Tables

|          |  |    |          |  |    |
|----------|--|----|----------|--|----|
| Tab. 1.  | Ordering information   | 2  | Tab. 35. | Years - years register (address 09h) bit allocation                                | 26 |
| Tab. 2.  | Ordering options   | 2  | Tab. 36. | Years - years register (address 09h) bit description                               | 26 |
| Tab. 3.  | Pin description of PCF2129   | 5  | Tab. 37. | Second_alarm - second alarm register (address 0Ah) bit allocation                  | 28 |
| Tab. 4.  | Register overview  | 7  | Tab. 38. | Second_alarm - second alarm register (address 0Ah) bit description                 | 28 |
| Tab. 5.  | Control_1 - control and status register 1 (address 00h) bit allocation       | 9  | Tab. 39. | Minute_alarm - minute alarm register (address 0Bh) bit allocation                  | 29 |
| Tab. 6.  | Control_1 - control and status register 1 (address 00h) bit description      | 9  | Tab. 40. | Minute_alarm - minute alarm register (address 0Bh) bit description                 | 29 |
| Tab. 7.  | Control_2 - control and status register 2 (address 01h) bit allocation       | 10 | Tab. 41. | Hour_alarm - hour alarm register (address 0Ch) bit allocation                      | 29 |
| Tab. 8.  | Control_2 - control and status register 2 (address 01h) bit description      | 10 | Tab. 42. | Hour_alarm - hour alarm register (address 0Ch) bit description                     | 29 |
| Tab. 9.  | Control_3 - control and status register 3 (address 02h) bit allocation       | 10 | Tab. 43. | Day_alarm - day alarm register (address 0Dh) bit allocation                        | 30 |
| Tab. 10. | Control_3 - control and status register 3 (address 02h) bit description      | 11 | Tab. 44. | Day_alarm - day alarm register (address 0Dh) bit description                       | 30 |
| Tab. 11. | CLKOUT_ctl - CLKOUT control register (address 0Fh) bit allocation            | 11 | Tab. 45. | Weekday_alarm - weekday alarm register (address 0Eh) bit allocation                | 30 |
| Tab. 12. | CLKOUT_ctl - CLKOUT control register (address 0Fh) bit description           | 11 | Tab. 46. | Weekday_alarm - weekday alarm register (address 0Eh) bit description               | 31 |
| Tab. 13. | Temperature measurement period   | 12 | Tab. 47. | Watchdog_timer_ctl - watchdog timer control register (address 10h) bit allocation  | 31 |
| Tab. 14. | CLKOUT frequency selection   | 12 | Tab. 48. | Watchdog_timer_ctl - watchdog timer control register (address 10h) bit description | 32 |
| Tab. 15. | Aging_offset - crystal aging offset register (address 19h) bit allocation    | 13 | Tab. 49. | Watchdog_timer_val - watchdog timer value register (address 11h) bit allocation    | 32 |
| Tab. 16. | Aging_offset - crystal aging offset register (address 19h) bit description   | 13 | Tab. 50. | Watchdog_timer_val - watchdog timer value register (address 11h) bit description   | 32 |
| Tab. 17. | Frequency correction at 25 °C, typical                                       | 13 | Tab. 51. | Programmable watchdog timer  | 32 |
| Tab. 18. | Power management control bit description                                     | 15 | Tab. 52. | Flag location in register Control_2  | 34 |
| Tab. 19. | Output pin BBS   | 18 | Tab. 53. | Example values in register Control_2   | 34 |
| Tab. 20. | Seconds - seconds and clock integrity register (address 03h) bit allocation  | 22 | Tab. 54. | Example to clear only AF (bit 4)   | 34 |
| Tab. 21. | Seconds - seconds and clock integrity register (address 03h) bit description | 22 | Tab. 55. | Example to clear only MSF (bit 7)  | 35 |
| Tab. 22. | Seconds coded in BCD format  | 22 | Tab. 56. | Timestp_ctl - timestamp control register (address 12h) bit allocation              | 36 |
| Tab. 23. | Minutes - minutes register (address 04h) bit allocation                      | 23 | Tab. 57. | Timestp_ctl - timestamp control register (address 12h) bit description             | 36 |
| Tab. 24. | Minutes - minutes register (address 04h) bit description                     | 23 | Tab. 58. | Sec_timestp - second timestamp register (address 13h) bit allocation               | 37 |
| Tab. 25. | Hours - hours register (address 05h) bit allocation                          | 23 | Tab. 59. | Sec_timestp - second timestamp register (address 13h) bit description              | 37 |
| Tab. 26. | Hours - hours register (address 05h) bit description                         | 24 | Tab. 60. | Min_timestp - minute timestamp register (address 14h) bit allocation               | 37 |
| Tab. 27. | Days - days register (address 06h) bit allocation                            | 24 | Tab. 61. | Min_timestp - minute timestamp register (address 14h) bit description              | 37 |
| Tab. 28. | Days - days register (address 06h) bit description                           | 24 | Tab. 62. | Hour_timestp - hour timestamp register (address 15h) bit allocation                | 37 |
| Tab. 29. | Weekdays - weekdays register (address 07h) bit allocation                    | 24 | Tab. 63. | Hour_timestp - hour timestamp register (address 15h) bit description               | 38 |
| Tab. 30. | Weekdays - weekdays register (address 07h) bit description                   | 25 | Tab. 64. | Day_timestp - day timestamp register (address 16h) bit allocation                  | 38 |
| Tab. 31. | Weekday assignments  | 25 |          |  |    |
| Tab. 32. | Months - months register (address 08h) bit allocation                        | 25 |          |  |    |
| Tab. 33. | Months - months register (address 08h) bit description                       | 25 |          |  |    |
| Tab. 34. | Month assignments in BCD format  | 26 |          |  |    |

|          |  |    |          |   |    |
|----------|--|----|----------|---|----|
| Tab. 65. | Day_timestp - day timestamp register (address 16h) bit description   | 38 | Tab. 72. | First increment of time circuits after stop release | 45 |
| Tab. 66. | Mon_timestp - month timestamp register (address 17h) bit allocation  | 39 | Tab. 73. | Interface selection input pin IFS                   | 46 |
| Tab. 67. | Mon_timestp - month timestamp register (address 17h) bit description | 39 | Tab. 74. | Serial interface                                    | 47 |
| Tab. 68. | Year_timestp - year timestamp register (address 18h) bit allocation  | 39 | Tab. 75. | Command byte definition                             | 48 |
| Tab. 69. | Year_timestp - year timestamp register (address 18h) bit description | 39 | Tab. 76. | I2C slave address byte                              | 51 |
| Tab. 70. | Battery switch-over and timestamp                                    | 39 | Tab. 77. | Limiting values                                     | 53 |
| Tab. 71. | Effect of bits MI and SI on pin INT and bit MSF                      | 41 | Tab. 78. | Static characteristics                              | 54 |
|          |  |    | Tab. 79. | Frequency characteristics                           | 59 |
|          |  |    | Tab. 80. | SPI-bus characteristics                             | 61 |
|          |  |    | Tab. 81. | I2C-bus characteristics                             | 63 |
|          |  |    | Tab. 82. | Selection of Real-Time Clocks                       | 71 |
|          |  |    | Tab. 83. | Abbreviations                                       | 73 |
|          |  |    | Tab. 84. | Revision history                                    | 74 |

Figures

|          |   |    |          |  |    |
|----------|---|----|----------|--|----|
| Fig. 1.  | Block diagram of PCF2129  | 3  | Fig. 24. | Example of shortening the INT pulse by clearing the MSF flag                 | 43 |
| Fig. 2.  | Pin configuration for PCF2129AT (SO20)  | 4  | Fig. 25. | AF timing diagram  | 44 |
| Fig. 3.  | Pin configuration for PCF2129T (SO16)   | 4  | Fig. 26. | STOP bit functional diagram  | 45 |
| Fig. 4.  | Position of the stubs from the package assembly process                                       | 4  | Fig. 27. | STOP bit release timing  | 46 |
| Fig. 5.  | Handling address registers  | 6  | Fig. 28. | Interface selection  | 47 |
| Fig. 6.  | Battery switch-over behavior in standard mode with bit BIE set logic 1 (enabled)              | 16 | Fig. 29. | SDI, SDO configurations  | 47 |
| Fig. 7.  | Battery switch-over behavior in direct switching mode with bit BIE set logic 1 (enabled)      | 17 | Fig. 30. | Data transfer overview   | 48 |
| Fig. 8.  | Battery switch-over circuit, simplified block diagram   | 17 | Fig. 31. | SPI-bus write example  | 49 |
| Fig. 9.  | Battery low detection behavior with bit BLIE set logic 1 (enabled)                            | 18 | Fig. 32. | SPI-bus read example   | 49 |
| Fig. 10. | Typical driving capability of VBBS: (VBBS - VDD) with respect to the output load current IBBS | 19 | Fig. 33. | Bit transfer   | 50 |
| Fig. 11. | Power failure event due to battery discharge: reset occurs                                    | 20 | Fig. 34. | Definition of START and STOP conditions                                      | 50 |
| Fig. 12. | Dependency between POR and oscillator   | 21 | Fig. 35. | System configuration   | 50 |
| Fig. 13. | Power-On Reset (POR) system   | 21 | Fig. 36. | Acknowledgement on the I2C-bus   | 51 |
| Fig. 14. | Power-On Reset Override (PORO) sequence, valid for both I2C-bus and SPI-bus                   | 22 | Fig. 37. | Bus protocol, writing to registers   | 52 |
| Fig. 15. | Data flow of the time function  | 27 | Fig. 38. | Bus protocol, reading from registers   | 52 |
| Fig. 16. | Access time for read/write operations   | 27 | Fig. 39. | Device diode protection diagram of PCF2129                                   | 53 |
| Fig. 17. | Alarm function block diagram  | 28 | Fig. 40. | IOL on pin SDA/CE  | 56 |
| Fig. 18. | Alarm flag timing diagram   | 31 | Fig. 41. | IDD as a function of temperature   | 57 |
| Fig. 19. | WD_CD set logic 1: watchdog activates an interrupt when timed out                             | 33 | Fig. 42. | IDD as a function of VDD   | 58 |
| Fig. 20. | Timestamp detection with two push-buttons on the TS pin (for example, for tamper detection)   | 35 | Fig. 43. | Typical IDD as a function of the power management settings                   | 59 |
| Fig. 21. | Interrupt block diagram   | 41 | Fig. 44. | Typical characteristic of frequency with respect to temperature of PCF2129AT | 60 |
| Fig. 22. | INT example for SI and MI when TI_TP is logic 1   | 42 | Fig. 45. | Typical characteristic of frequency with respect to temperature of PCF2129T  | 61 |
| Fig. 23. | INT example for SI and MI when TI_TP is logic 0   | 42 | Fig. 46. | SPI-bus timing   | 62 |
|          |   |    | Fig. 47. | I2C-bus timing diagram; rise and fall times refer to 30 % and 70 %           | 64 |
|          |   |    | Fig. 48. | General application diagram  | 64 |
|          |   |    | Fig. 49. | Package outline SOT163-1 (SO20) of PCF2129AT                                 | 66 |
|          |   |    | Fig. 50. | Package outline SOT162-1 (SO16) of PCF2129T                                  | 67 |
|          |   |    | Fig. 51. | Footprint information for reflow soldering of SOT163-1 (SO20) of PCF2129AT   | 68 |
|          |   |    | Fig. 52. | Footprint information for reflow soldering of SOT162-1 (SO16) of PCF2129T    | 69 |

Contents

|          |   |          |           |  |           |
|----------|---|----------|-----------|--|-----------|
| <b>1</b> | <b>General description</b>                                | <b>1</b> | 7.10.4    | Pre-defined timers: second and minute interrupt      | 34        |
| <b>2</b> | <b>Features and benefits</b>                              | <b>1</b> | 7.10.5    | Clearing flags                                       | 34        |
| <b>3</b> | <b>Applications</b>                                       | <b>2</b> | 7.11      | Timestamp function                                   | 35        |
| <b>4</b> | <b>Ordering information</b>                               | <b>2</b> | 7.11.1    | Timestamp flag                                       | 35        |
| 4.1      | Ordering options  | 2        | 7.11.2    | Timestamp mode                                       | 36        |
| <b>5</b> | <b>Block diagram</b>                                      | <b>3</b> | 7.11.3    | Timestamp registers                                  | 36        |
| <b>6</b> | <b>Pinning information</b>                                | <b>4</b> | 7.11.3.1  | Register Timestp_ctl                                 | 36        |
| 6.1      | Pinning   | 4        | 7.11.3.2  | Register Sec_timestp                                 | 37        |
| 6.2      | Pin description   | 5        | 7.11.3.3  | Register Min_timestp                                 | 37        |
| <b>7</b> | <b>Functional description</b>                             | <b>5</b> | 7.11.3.4  | Register Hour_timestp                                | 37        |
| 7.1      | Register overview   | 6        | 7.11.3.5  | Register Day_timestp                                 | 38        |
| 7.2      | Control registers   | 9        | 7.11.3.6  | Register Mon_timestp                                 | 39        |
| 7.2.1    | Register Control_1  | 9        | 7.11.3.7  | Register Year_timestp                                | 39        |
| 7.2.2    | Register Control_2  | 10       | 7.11.4    | Dependency between Battery switch-over and timestamp | 39        |
| 7.2.3    | Register Control_3  | 10       | 7.12      | Interrupt output, INT                                | 40        |
| 7.3      | Register CLKOUT_ctl                                       | 11       | 7.12.1    | Minute and second interrupts                         | 41        |
| 7.3.1    | Temperature compensated crystal oscillator                | 11       | 7.12.2    | INT pulse shortening                                 | 43        |
| 7.3.1.1  | Temperature measurement                                   | 12       | 7.12.3    | Watchdog timer interrupts                            | 43        |
| 7.3.2    | OTP refresh   | 12       | 7.12.4    | Alarm interrupts                                     | 43        |
| 7.3.3    | Clock output  | 12       | 7.12.5    | Timestamp interrupts                                 | 44        |
| 7.4      | Register Aging_offset                                     | 13       | 7.12.6    | Battery switch-over interrupts                       | 44        |
| 7.4.1    | Crystal aging correction                                  | 13       | 7.12.7    | Battery low detection interrupts                     | 44        |
| 7.5      | Power management functions                                | 14       | 7.13      | External clock test mode                             | 44        |
| 7.5.1    | Battery switch-over function                              | 15       | 7.14      | STOP bit function                                    | 45        |
| 7.5.1.1  | Standard mode   | 16       | <b>8</b>  | <b>Interfaces</b>                                    | <b>46</b> |
| 7.5.1.2  | Direct switching mode                                     | 16       | 8.1       | SPI-bus interface                                    | 47        |
| 7.5.1.3  | Battery switch-over disabled: only one power supply (VDD) | 17       | 8.1.1     | Data transmission                                    | 48        |
| 7.5.1.4  | Battery switch-over architecture                          | 17       | 8.2       | I2C-bus interface                                    | 49        |
| 7.5.2    | Battery low detection function                            | 17       | 8.2.1     | Bit transfer   | 49        |
| 7.5.3    | Battery backup supply                                     | 18       | 8.2.2     | START and STOP conditions                            | 50        |
| 7.6      | Oscillator stop detection function                        | 19       | 8.2.3     | System configuration                                 | 50        |
| 7.7      | Reset function  | 20       | 8.2.4     | Acknowledge  | 50        |
| 7.7.1    | Power-On Reset (POR)                                      | 20       | 8.2.5     | I2C-bus protocol                                     | 51        |
| 7.7.2    | Power-On Reset Override (PORO)                            | 21       | 8.3       | Bus communication and battery backup operation       | 52        |
| 7.8      | Time and date function                                    | 22       | <b>9</b>  | <b>Internal circuitry</b>                            | <b>53</b> |
| 7.8.1    | Register Seconds  | 22       | <b>10</b> | <b>Safety notes</b>                                  | <b>53</b> |
| 7.8.2    | Register Minutes  | 23       | <b>11</b> | <b>Limiting values</b>                               | <b>53</b> |
| 7.8.3    | Register Hours  | 23       | <b>12</b> | <b>Static characteristics</b>                        | <b>54</b> |
| 7.8.4    | Register Days   | 24       | 12.1      | Current consumption characteristics, typical         | 56        |
| 7.8.5    | Register Weekdays   | 24       | 12.2      | Frequency characteristics                            | 59        |
| 7.8.6    | Register Months   | 25       | <b>13</b> | <b>Dynamic characteristics</b>                       | <b>61</b> |
| 7.8.7    | Register Years  | 26       | 13.1      | SPI-bus timing characteristics                       | 61        |
| 7.8.8    | Setting and reading the time                              | 26       | 13.2      | I2C-bus timing characteristics                       | 63        |
| 7.9      | Alarm function  | 27       | <b>14</b> | <b>Application information</b>                       | <b>64</b> |
| 7.9.1    | Register Second_alarm                                     | 28       | <b>15</b> | <b>Test information</b>                              | <b>65</b> |
| 7.9.2    | Register Minute_alarm                                     | 29       | 15.1      | Quality information                                  | 65        |
| 7.9.3    | Register Hour_alarm                                       | 29       | <b>16</b> | <b>Package outline</b>                               | <b>66</b> |
| 7.9.4    | Register Day_alarm  | 30       | <b>17</b> | <b>Packing information</b>                           | <b>68</b> |
| 7.9.5    | Register Weekday_alarm                                    | 30       | 17.1      | Tape and reel information                            | 68        |
| 7.9.6    | Alarm flag  | 31       | <b>18</b> | <b>Soldering</b>                                     | <b>68</b> |
| 7.10     | Timer functions   | 31       | 18.1      | Footprint information                                | 68        |
| 7.10.1   | Register Watchdgd_tim_ctl                                 | 31       | <b>19</b> | <b>Appendix</b>                                      | <b>69</b> |
| 7.10.2   | Register Watchdgd_tim_val                                 | 32       | 19.1      | Real-Time Clock selection                            | 70        |
| 7.10.3   | Watchdog timer function                                   | 33       |           |  |           |

20 Abbreviations ..... 73  
21 References ..... 73  
22 Revision history ..... 74  
23 Legal information ..... 75

---

Please be aware that important notices concerning this document and the product(s) described herein, have been included in section 'Legal information'.

---

© 2022 NXP B.V.

All rights reserved.

For more information, please visit: <http://www.nxp.com>

Date of release: 18 July 2022  
Document identifier: PCF2129