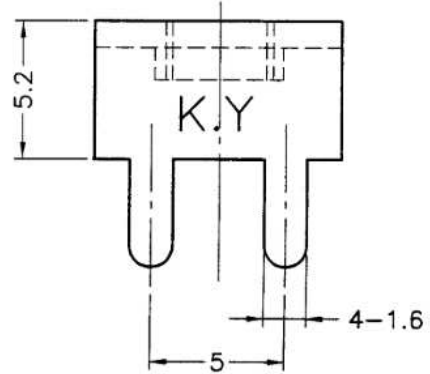
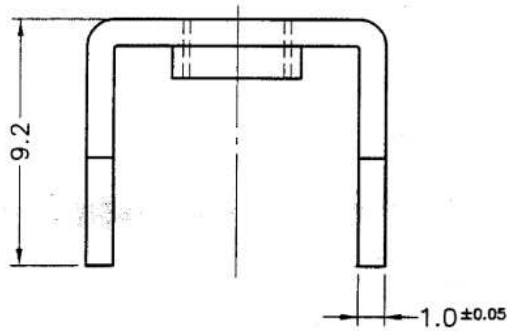
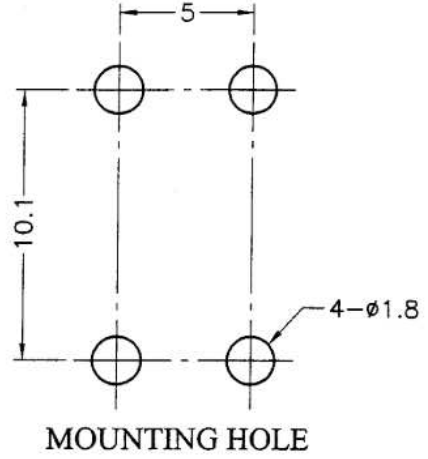
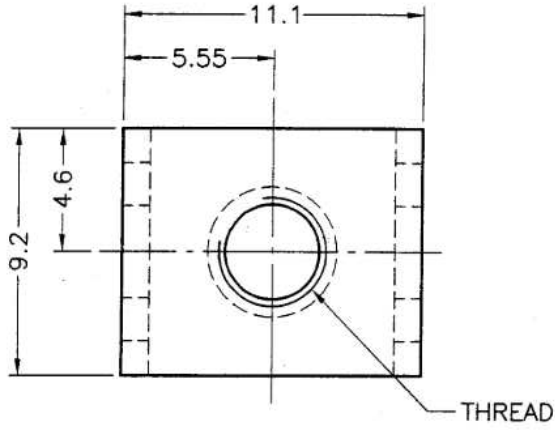


REVISIONS			
REV	DESCRIPTION	DATE	BY



PART NO.	THREAD
PCB-8	M3x0.5
PCB-8(M4)	M4x0.7
PCB-8(632)	#6-32

PART NUMBER SEE ABOVE				TITLE		
				MATERIAL BRASS		DATE 2001.03.23
				FINISH TIN PLATED		DRAWN
				COLOR		CHECK
DRAWING NUMBER PCB-8		UNLESS OTHERWISE SPECIFIED TOLERANCE ±0.2		APPROVED <i>Kary</i>		
SIZE A4	SCALE 4:1	UNIT mm	REV A			