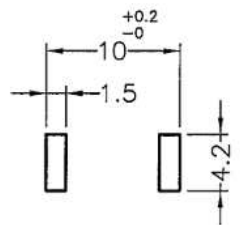
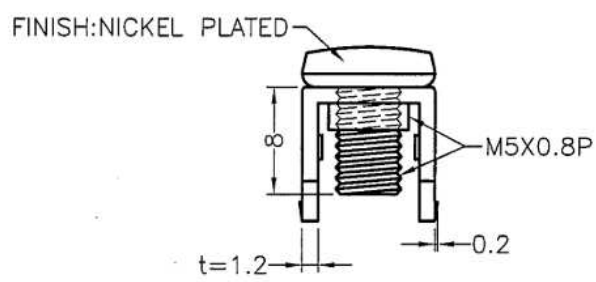
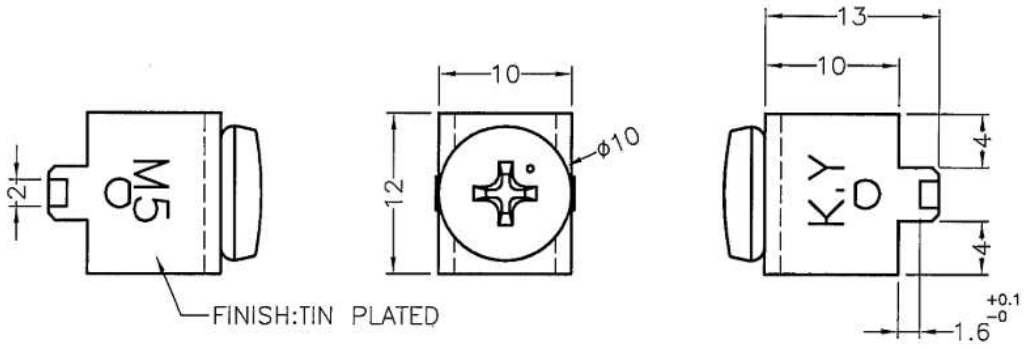


REVISIONS			
REV	DESCRIPTION	DATE	BY



MOUNTING HOLE
P.C.B THICKNESS 1.6~2.0

PART NUMBER PCB-50M5F				TITLE P. C. B TERMINAL			
				MATERIAL BRASS		DATE 2011.05.11	
				FINISH SEE ABOVE		DRAWN	
				DRAWING NUMBER PCB-50M5F		CHECK	
SIZE A4	SCALE 2:1	UNIT mm	REV A	UNLESS OTHERWISE SPECIFIED TOLERANCE ±0.5	APPROVED <i>Karej</i>		