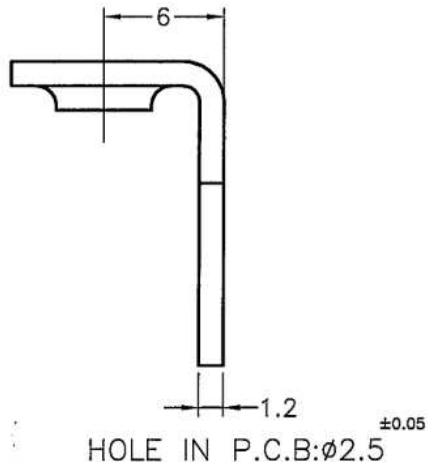
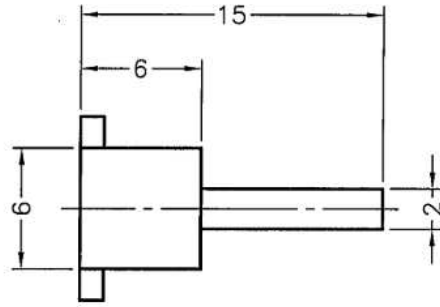
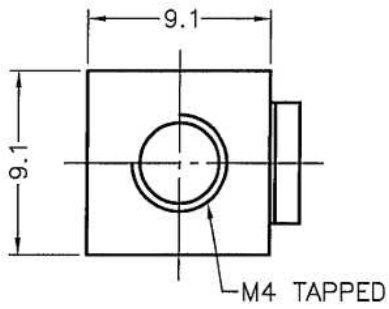


成型尺寸	公差
5mm以下	±0.2
5~20mm	±0.3
20~40mm	±0.4
40~60mm	±0.5
60~100mm	±0.8
100mm以上	±1.0

REVISIONS			
REV	DESCRIPTION	DATE	BY



PART NUMBER PCB-22(M4)		DRAWING NUMBER PCB-22		TITLE P. C. B TERMINAL		
				MATERIAL BRASS		DATE 2008.01.23
				FINISH TIN PLATED		DRAWN
				COLOR		CHECK
SIZE A4	SCALE 4:1	UNIT mm	REV A	UNLESS OTHERWISE SPECIFIED TOLERANCE SEE ABOVE		
				APPROVED		