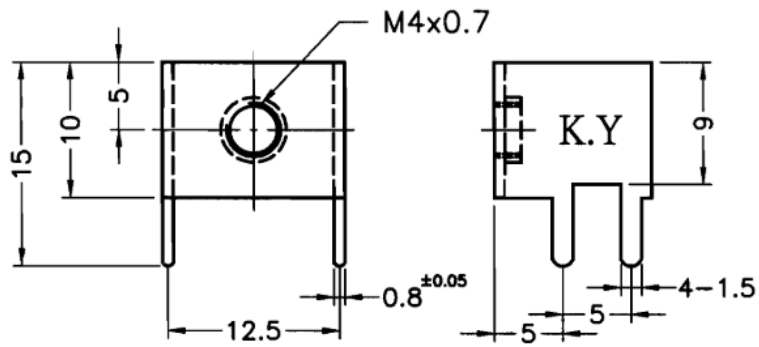
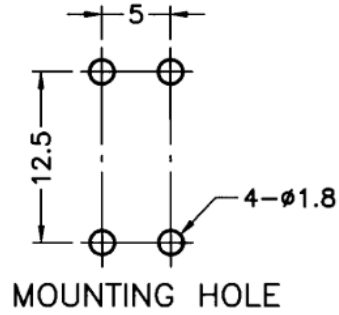
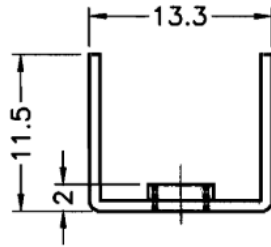


REVISIONS			
REV	DESCRIPTION	DATE	BY



PART NUMBER PCB-15(M4)		DRAWING NUMBER PCB-15		TITLE	
MATERIAL BRASS		DATE 2004.06.17		FINISH TIN PLATED	
COLOR		CHECK		UNLESS OTHERWISE SPECIFIED TOLERANCE ±0.2	
SIZE A4	SCALE 2:1	UNIT mm	REV A	APPROVED <i>Kang</i>	