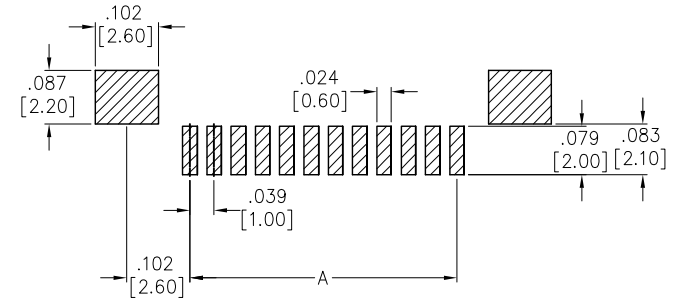
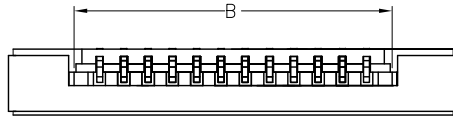
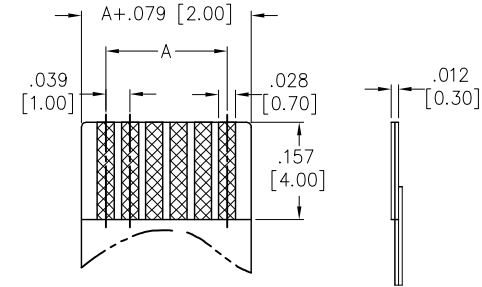
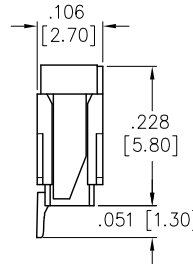
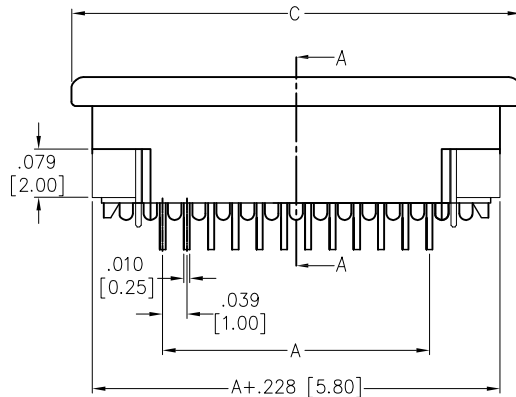
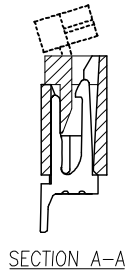


APPROVED: \_\_\_\_\_  
 DATE: \_\_\_\_\_ TITLE: \_\_\_\_\_

Rev	AWO #	Description	Date	Appr
-		RELEASED	6/4/15	
A		REVISED SPEC.	9/29/16	AY/MC
B		UPDATE SPEC.	3/6/23	LH/LX



RECOMMENDED PCB LAYOUT



APPLICABLE FPC/FFC  
 RECOMMENDED DIMENSION

**SPECIFICATIONS:**

Material:  
 Insulator: Hi-temp Thermoplastic, rated UL 94V-0  
 Insulator color: Natural  
 Actuator: Hi-temp thermoplastic, rated UL 94V-0, color: Black  
 Contact: Phosphor Bronze  
 Holddown: Brass  
 Plating:  
 Tin over Nickel underplate overall.  
 Electrical:  
 Current rating: 0.5 AAC/DC max  
 Contact resistance: 30 mohms max  
 Insulation resistance: 100 Mohms min  
 Dielectric withstanding voltage: 250 VAC for 1 minute  
 Temperature Rating:  
 Operating temperature: -40°C to +85°C  
 Environmental:  
 Lead free, RoHS compliant.



**PACKAGED ON TAPE & REEL**

Positions: 4 thru 40  
 $A = .039 [1.00] \times \text{No. of Spaces}$   
 $B = A + .083 [2.10]$   
 $C = A + .295 [7.50]$

UNLESS OTHERWISE SPECIFIED ALL DIMENSIONS ARE INCHES [MM]. TOLERANCES: EXCEPT AS NOTED		
INCHES		HOLES
.X ± .10	Ø.X ± .10	
.XX ± .020	Ø.XX ± .015	
.XXX ± .015	Ø.XXX ± .010	
DRAWN	AY	6/4/15
CHECKED	LW	6/4/15
APPROVED		
THIS DRAWING CONTAINS INFORMATION THAT IS PROPRIETARY AND SHOULD NOT BE USED WITHOUT PRIOR WRITTEN PERMISSION FROM ADAM TECH		



909 Rahway Avenue,  
 Union, NJ 07083  
 Phone: 908-687-5000  
 Fax: 908-687-5710

TITLE ZIF FLEX CIRCUIT CONNECTOR, SMT TYPE SIDE ENTRY, UPPER CONTACT		
SIZE X	PART NO. PCA-2K-XX-HU-3-T/R	REV. B
REF: S00165C	SCALE: NTS	SHEET 1 OF 1