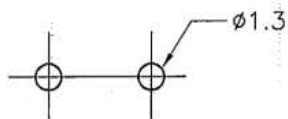
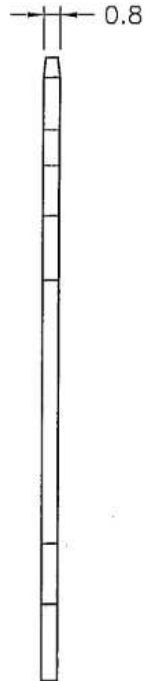
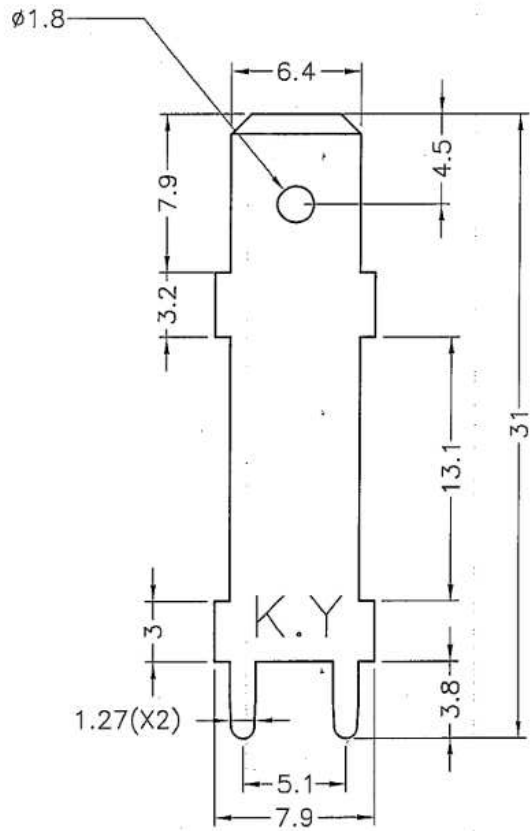
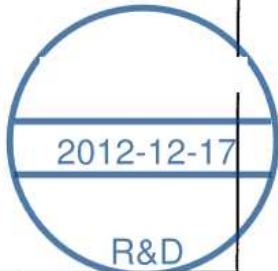


REVISIONS			
REV	DESCRIPTION	DATE	BY



MOUNTING HOLES



PART NUMBER PC250-11		DRAWING NUMBER PC250-11		TITLE P.C.B TERMINAL	
SIZE A4		SCALE 3:1		MATERIAL BRASS	DATE 2009.11.03
UNIT mm		REV A		FINISH TIN PLATED	DRAWN
				COLOR	CHECK
				UNLESS OTHERWISE SPECIFIED TOLERANCE ±0.2	APPROVED <i>Kang</i>