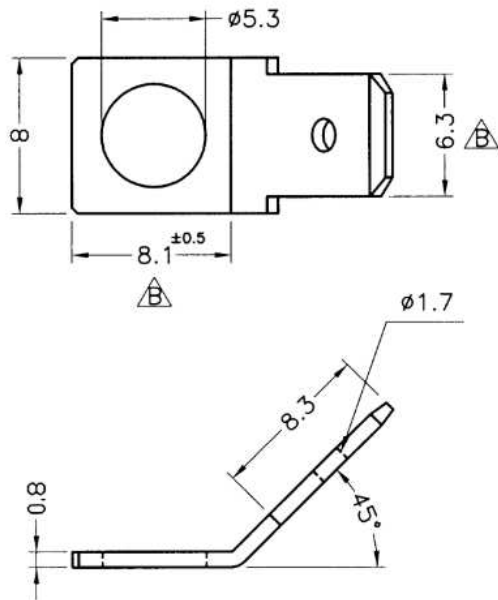


成型尺寸	公差
5mm 以下	±0.2
5~20mm	±0.3
20~40mm	±0.4
40~60mm	±0.5
60~100mm	±0.8
100mm 以上	±1.0

REVISIONS			
REV	DESCRIPTION	DATE	BY
B	6.35 CHANGE 6.3	2006.06.07	BUNNY
B	8 CHANGE 8.1	2006.06.07	BUNNY



		TITLE			
		MATERIAL		DATE	
		BRASS		1998.05.18	
		FINISH		DRAWN	
		TIN PLATED			
PART NUMBER		DRAWING NUMBER		CHECK	
PC1L25005		PC1L255H			
SIZE	SCALE	UNIT	REV	UNLESS OTHERWISE SPECIFIED TOLERANCE	
A4	3:1	mm	B	SEE ABOVE	
				APPROVED	
				Kany	