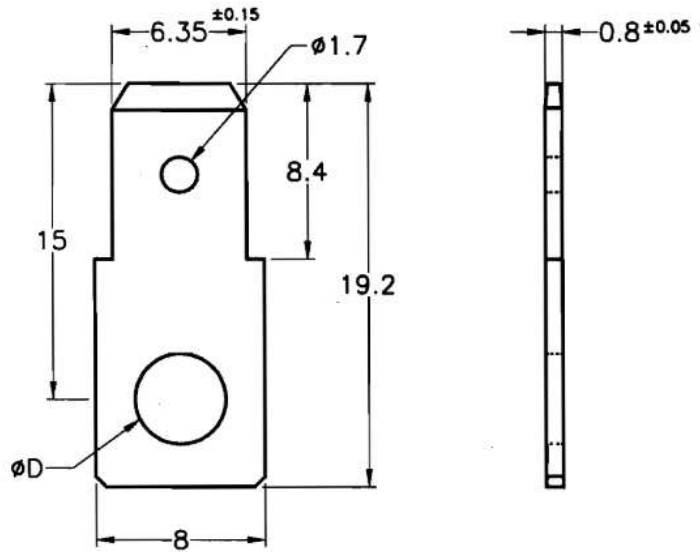


REVISIONS			
REV	DESCRIPTION	DATE	BY
C		90.01.18	



PART NO.	D
PC11250	4.3
PC1125003	3.2
PC1125035	3.5
PC1125005	5.3

		TERMINAL MAT'L BRASS	DATE 90.01.18
TITLE		FINISH TIN PLATED	DRAWN
PART NUMBER	DRAWING NUMBER PC11250H	COLOR	CHECK
SIZE A4	SCALE 3:1	UNIT mm	REV C
		UNLESS OTHERWISE SPECIFIED TOLERANCE ±0.3	APPROVED