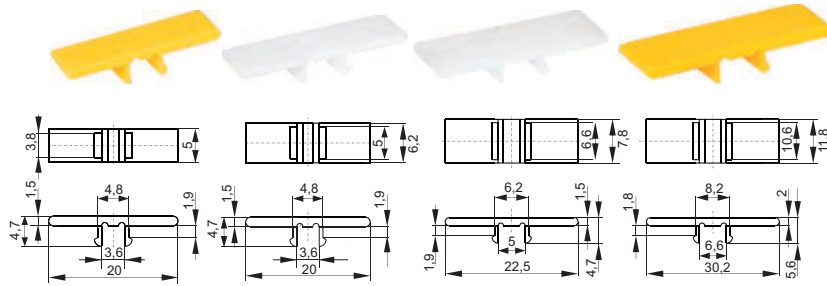
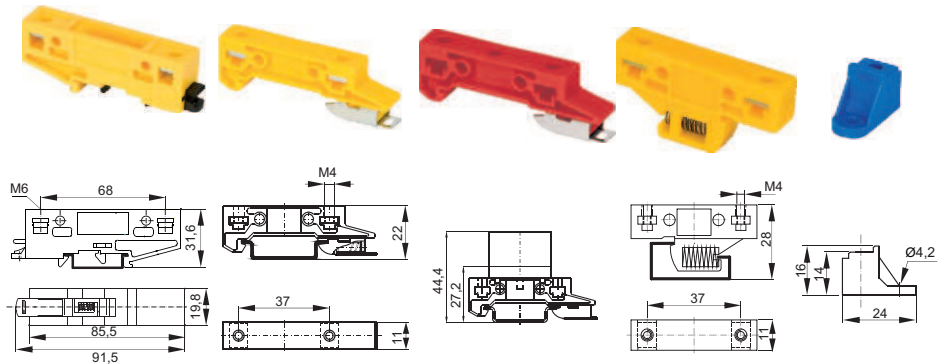


## Covers

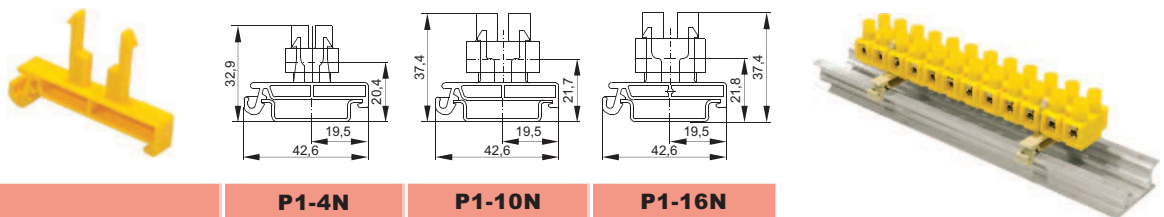


TYPE	OZG-2,5	OZG-4	OZG-10	OZG-16	
Catalogue number	99-510	99-520	99-530	99-540	
Colour	yellow-1 ● white-2 ○ black-3 ● green-5 ● blue-6 ● red-7 ● grey-8 ●	yellow-1 ● white-2 ○ black-3 ● green-5 ● blue-6 ● red-7 ● grey-8 ●	yellow-1 ● white-2 ○ black-3 ● green-5 ● blue-6 ● red-7 ● grey-8 ●	yellow-1 ● white-2 ○ black-3 ● green-5 ● blue-6 ● red-7 ● grey-8 ●	
Use as	Bolts cover for:	ZG-G2,5	ZG-G4 ZG-G4 PE/L/N ZG-G4 PE/L/L ZG-G31...36	ZG-G10	ZG-G16
Width	5mm	6,2mm	7,8mm	11,8mm	
Insulating material	polyamide	polyamide	polyamide	polyamide	
Ambient temperature	-25...+100°C	-25...+100°C	-25...+100°C	-25...+100°C	
Package	25pcs.	25pcs.	25pcs.	25pcs.	

## Mounting bases



TYPE	WMU-1	WM35	WM35/LZ-B	WM32 <sup>1)</sup>	ZO
Catalogue number	45-250	45-220	12-090	45-210	45-2306
Colour	yellow-1 ● blue-6 ● grey-8 ●	yellow-1 ● blue-6 ● blue-6 ● grey-8 ●	white-2 ○ black-3 ● blue-6 ● red-7 ●	yellow-1 ● blue-6 ● grey-8 ●	blue ●
Use	For installing: large devices on rails TS32/AL and TS35	terminal blocks and branches on rails TS35; TS35-15/AL	LZ-B	terminal blocks and branches on rails TS32/AL	ZO to base
Insulating material	polyamide	polyamide	polyamide with glass fibre	polyamide	polyamide
Ambient temperature	-25...+100°C	-25...+100°C	-25...+150°C	-25...+100°C	-25...+100°C
Package	10pcs.	50pcs.	1pc.	50pcs.	100pcs.



TYPE	P1-4N	P1-10N	P1-16N
Catalogue number	45-271	45-273	45-275
Colour	yellow-1 ● white-2 ○ black-3 ● grey-8 ●	yellow-1 ● white-2 ○ black-3 ● grey-8 ●	yellow-1 ● white-2 ○ black-3 ● grey-8 ●
Use	TLZ-4N on TS35 rail assembly	TLZ-10N on TS35 rail assembly	TLZ-16N on TS35 rail assembly
Insulating material	polyamide	polyamide	polyamide
Ambient temperature	-25...+100°C	-25...+100°C	-25...+100°C
Package	10pcs.	10pcs.	10pcs.

<sup>1)</sup> on request