

CURRENT REGULATIVE LED

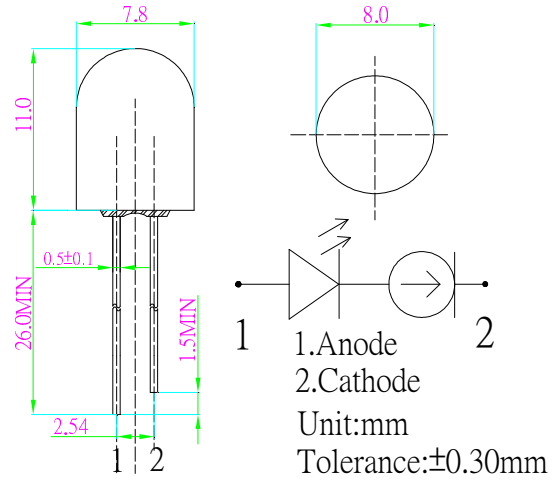
CRLED

- CRLED is LED which supplies constant current to keep LED Intensity Consistency even when power supply voltage fluctuations or load impedance fluctuations occur.
- CRLED is used with current stabilization and current limiting

Features

- High Luminous LEDs / 8mm Round Standard Directivity
- Superior Weather-resistance / UV Resistant Epoxy
- Water Clear Type

Outline Dimension

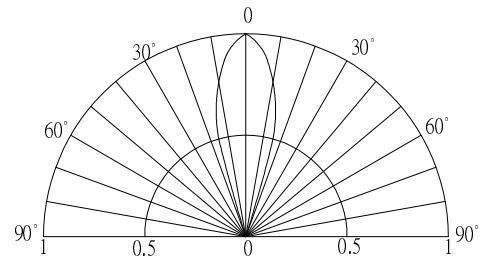


Absolute Maximum Rating

(Ta=25°C)

Item	Symbol	Value	Unit
DC Forward Voltage	V _F	20	V
Power Dissipation	P _D	350	mW
Operating Temperature	Topr	-30 ~ +85	°C
Storage Temperature	Tstg	-40~ +100	°C
Lead Soldering Temperature	Tsol	260°C/5sec	-

Directivity



Electrical -Optical Characteristics

(Ta=25°C)

Part Number	Color	V _F (V)		I _F (mA)			I _R (μA)	I _v (mcd)*			λD(nm)*			2θ1/2(deg)
		Min	Ma x.	Min	Typ.	Max.	Max..	Min.	Typ.	Max.	Min.	Typ.	Max.	Typ.
				V _F =12V			V _R =8V	V _F =12V						
OSW5DK8B31B-CRLED16	White	5.5	20	-	16	-	10	-	10000	-	X=0.27, Y=0.28			30
OSM5DK8B31B- CRLED16	Warm White	5.5	20	-	16	-	10	-	7000	-	X=0.45, Y=0.41			30
OSB5SA8B31B -CRLED16	Blue	5.5	20	-	16	-	10	-	5800	-	465	470	475	30
OSG5DA8B31B -CRLED16	Pure Green	5.5	20	-	16	-	10	-	10000	-	520	525	530	30
OSY5PA8B31B - CRLED16	Yellow	5	20	-	16	-	10	-	7000	-	585	590	595	30
OSO5PA8B31B - CRLED16	Orange	5	20	-	16	-	10	-	7000	-	600	605	610	30
OSR5PA8B31B - CRLED16	Red	5	20	-	16	-	10	-	7000	-	620	625	630	30

*1 Tolerance of measurements of chromaticity coordinate is ±10%

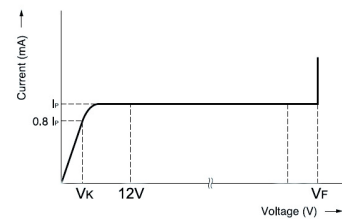
*2 Tolerance of measurements of dominant wavelength is ±1nm

*3 Tolerance of measurements of luminous intensity is ±15%

*4 Tolerance of measurements of forward voltage is ±0.1V

Applications

- Electronic Signs And Signals/ Small Area Illuminations
- Back Lighting/ Toys/ Other Lighting

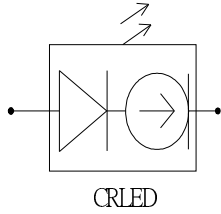


Explanation of terms
I_p Pinch-off current at 12v
V_k Voltage which produces 0.8Ip or greater current
V_F Breakdown voltage

Current Regulative LED
8mm Round LED
OSXXXX8B31B-CRLED16
VER A.2

■ **Typical Applications**

1: Single LED



2: Multi- LEDs in series

