

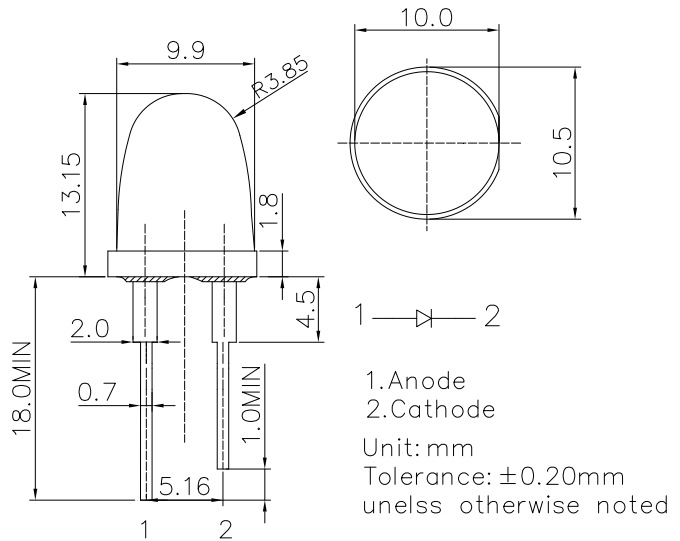
■Features

- High Radiant Power
- 10mm Bullet Standard Directivity
- UV Resistant Epoxy
- Water Clear Type

■Applications

- IrDA
- Encoder
- Data Communication

■Outline Dimension



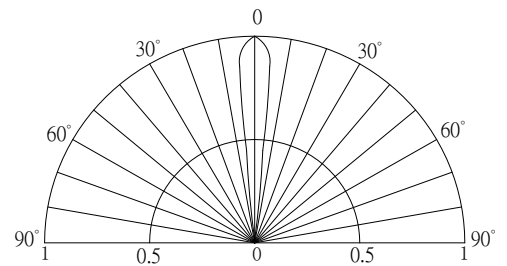
■Absolute Maximum Rating

(Ta=25°C)

| Item | Symbol | Value | Unit |
|----------------------------|------------------|------------|------|
| DC Forward Current | I _F | 400 | mA |
| Pulse Forward Current# | I _{FP} | 1750 | mA |
| Reverse Voltage | V _R | 5 | V |
| Power Dissipation | P _D | 0.8 | mW |
| Operating Temperature | T _{opr} | -30 ~ +85 | °C |
| Storage Temperature | T _{stg} | -40 ~ +100 | °C |
| Lead Soldering Temperature | T _{sol} | 260°C/5sec | - |

#Pulse Width ≤ 100us, Duty ≤ 1/100

■Directivity



■Electrical –Optical Characteristics

(Ta=25°C)

| Item | Symbo | Condition | Min. | Typ. | Max. | Unit |
|----------------------|-------------------|-----------------------|------|------|------|-------|
| DC Forward Voltage*1 | V _F | I _F =350mA | - | 1.65 | 2.0 | V |
| DC Reverse Current | I _R | V _R =5V | - | - | 10 | μA |
| Peak Wavelength*2 | λ _p | I _F =350mA | - | 940 | - | nm |
| Radiant Power*3 | P _O | I _F =350mA | 80 | 90 | - | mW |
| Radiant Intensity*4 | E _e | I _F =350mA | 1500 | 1700 | - | mW/Sr |
| 50% Power Angle | 2θ _{1/2} | I _F =350mA | - | 15 | - | deg |

*1 Tolerance of measurements of forward voltage is ±0.1V

*2 Tolerance of measurements of peak wavelength is +1nm

*3 Tolerance of measurements of Radiant Power is ±15%

*4 Tolerance of measurements of radiant intensity is ±15%