

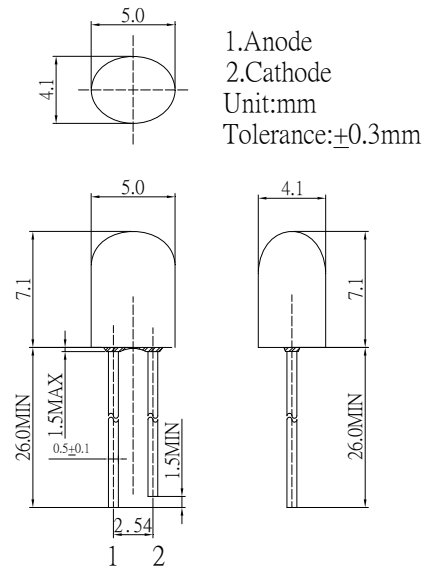
■ Features

- High Radiant Power LEDs
- 5.0x4.1mm Standard Directivity
- Superior Weather-resistance
- UV Resistant Epoxy
- Color Transparent Type

■ Applications

- IrDA
- Encoder
- Data Communication
- IR camera

■ Outline Dimension



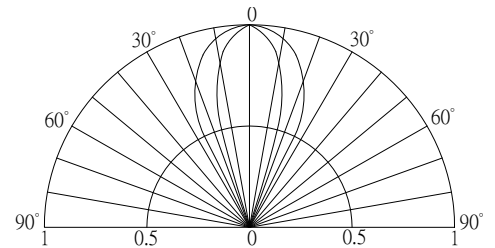
■ Absolute Maximum Rating

(Ta=25°C)

| Item | Symbol | Value | Unit |
|----------------------------|------------------|------------|------|
| DC Forward Current | I _F | 70 | mA |
| Pulse Forward Current* | I _{FP} | 1000 | mA |
| Reverse Voltage | V _R | 5 | V |
| Power Dissipation | P _D | 126 | mW |
| Operating Temperature | T _{opr} | -30 ~ +85 | °C |
| Storage Temperature | T _{stg} | -40 ~ +100 | °C |
| Lead Soldering Temperature | T _{sol} | 260°C/5sec | - |

*Pulse width Max.10ms Duty ratio max 1/10

■ Directivity



■ Electrical -Optical Characteristics

(Ta=25°C)

| Item | Symbol | Condition | Min. | Typ. | Max. | Unit |
|--------------------|-------------------|----------------------|------|-------|------|-------|
| DC Forward Voltage | V _F | I _F =50mA | - | 1.6 | 1.8 | V |
| DC Reverse Current | I _R | V _R =5V | - | - | 10 | μA |
| Peak Wavelength | λ _p | I _F =50mA | - | 940 | - | nm |
| Radiant Intensity | I _e | I _F =50mA | 25 | 35 | - | mW/Sr |
| 50% Power Angle | 2θ _{1/2} | I _F =50mA | - | 55/30 | - | deg |

*1 Tolerance of dominant wavelength is ± 1 nm

*2 Tolerance of luminous intensity is $\pm 15\%$