

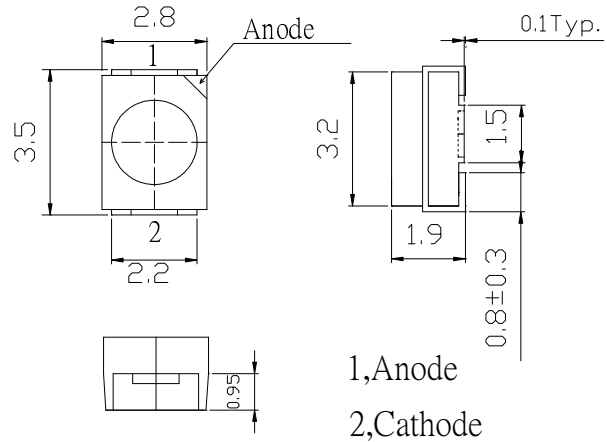
■Features

- High Radiant Power PLCC2 Top SMD LEDs
- 3.5x2.8x1.9mm Standard Directivity
- Superior Weather-resistance
- UV Resistant Epoxy
- Water Clear Type

■Applications

- Automatic Control System
- Photo Detector
- Computer I/O Peripheral

■Outline Dimension



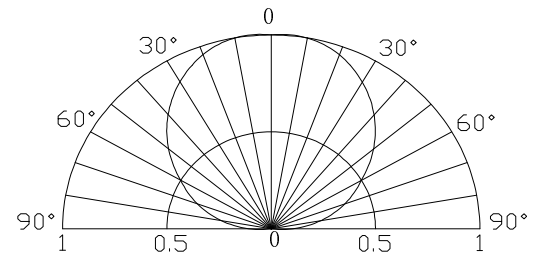
■Absolute Maximum Rating

(Ta=25°C)

| Item | Symbol | Value | Unit |
|----------------------------|-----------------|------------|------|
| DC Forward Current | I _F | 70 | mA |
| Pulse Forward Current* | I _{FP} | 700 | mA |
| Reverse Voltage | V _R | 5 | V |
| Power Dissipation | P _D | 126 | mW |
| Operating Temperature | Topr | -30 ~ +85 | °C |
| Storage Temperature | Tstg | -40 ~ +100 | °C |
| Lead Soldering Temperature | Tsol | 260°C/5sec | - |

*Pulse width Max.10ms Duty ratio max 1/10

■Directivity



■Electrical -Optical Characteristics

(Ta=25°C)

| Item | Symbol | Condition | Min. | Typ. | Max. | Unit |
|--------------------|-------------------|----------------------|------|------|------|-------|
| DC Forward Voltage | V _F | I _F =50mA | - | 1.6 | 1.8 | V |
| DC Reverse Current | I _R | V _R =5V | - | - | 10 | μA |
| Peak Wavelength | λ _p | I _F =50mA | - | 850 | - | nm |
| Radiant Intensity | I _e | I _F =50mA | 15 | 20 | - | mW/Sr |
| 50% Power Angle | 2θ _{1/2} | I _F =50mA | - | 120 | - | deg |

*1 Tolerance of peak wavelength is ±1nm

*2 Tolerance of Radiant Intensity is ±15%