



### ■ Description

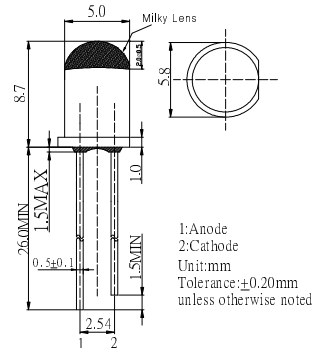
- 50pcs LED are supplied in a storage box
- Easy to use and storage, user-friendly
- High luminous LEDs
- 5mm round standard directivity
- UV resistant epoxy
- Available in all colors
- Water clear body with milky top lens

### ■ Applications

- Electronic Signs and Signals
- Small Area Illuminations
- Back Lighting
- Other Lighting

### ■ Outline Dimension

50pcs/Box (Dimensions: 80\*54\*30mm)

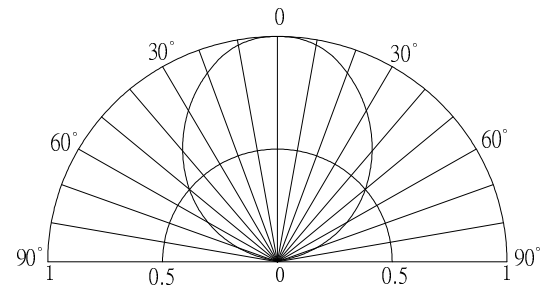


### ■ Absolute Maximum Rating (Ta=25°C)

Item	Symbol	Value		Unit
		R/Y/O	B/PG/PK/W	
DC Forward Current	I <sub>F</sub>	30	30	mA
Pulse Forward Current#	I <sub>FP</sub>	100	100	mA
Reverse Voltage	V <sub>R</sub>	5	5	V
Power Dissipation	P <sub>D</sub>	78	102	mW
Operating Temperature	T <sub>opr</sub>	-30 ~ +85		°C
Storage Temperature	T <sub>stg</sub>	-40 ~ +100		°C
Lead Soldering Temperature	T <sub>sol</sub>	260°C/5sec		-

#Pulse width Max.10ms Duty ratio max 1/10

### ■ Directivity



### ■ Electrical -Optical Characteristics (Ta=25°C)

Milky Lens LED	Red	Yellow	Orange	Blue	Pure Green	Pink	Warm White	Cool White
Kit Box P/N	OKLEDT5050R5L	OKLEDT5050Y5L	OKLEDT5050O5L	OKLEDT5050B5L	OKLEDT5050G5L	OKLEDT5050K5L	OKLEDT5050M3L	OKLEDT5050WAL
LED P/N	OSSREA51A5A	OS5YEA51A5A	OSSOPM51A5A	OSB5SA51A5A	OSG5DA51A5A	OSK5DK51A5A	OSM5DK51A5A	OSW5DK51A5A
Light Color	Red	Yellow	Orange	Blue	Pure Green	Pink	Warm White	Cool White
Lens Color	Milky Top	Milky Top	Milky Top	Milky Top	Milky Top	Milky Top	Milky Top	Milky Top
λD*1/CCT*2	620-630nm	585-595nm	600-610nm	465-475nm	520-530nm	X:0.45 Y:0.17	2700-3300K	8500-18000K
Luminous Flux (typ.)*3	3000mcd	3000mcd	3000mcd	2180mcd	3000mcd	1560mcd	4200mcd	5800mcd
Forward Voltage*4	1.8-2.6V	1.8-2.6V	1.8-2.6V	2.7-3.4V	2.7-3.4V	2.7-3.4V	2.7-3.4V	2.7-3.4V
Forward Current	20mA	20mA	20mA	20mA	20mA	20mA	20mA	20mA
Viewing Angle(typ.)	100°	100°	100°	100°	100°	100°	100°	100°
Quantity(pcs)/Box	50	50	50	50	50	50	50	50

\*1 Tolerance of measurements of dominant wavelength is ±1nm

\*2 Tolerance of measurements of color temperature is ±10%

\*3 Tolerance of measurements of luminous intensity is ±15%

\*4 Tolerance of measurements of forward voltage is ±0.1V