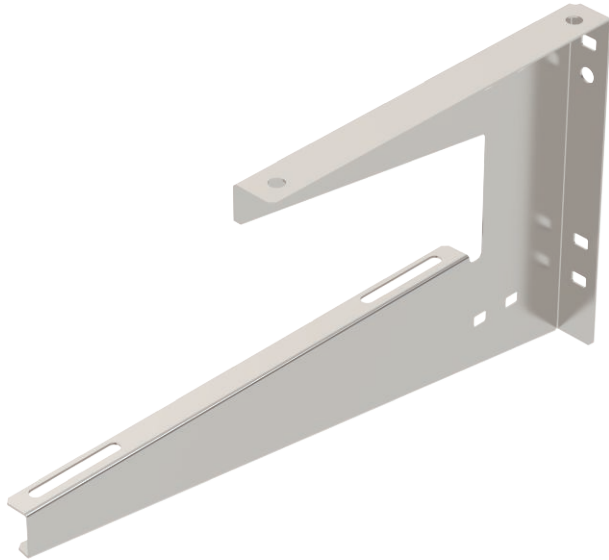


# Technical data sheet

## Wall and ceiling bracket

Item no. 6363748



Wall and ceiling bracket for universal structural fastening.



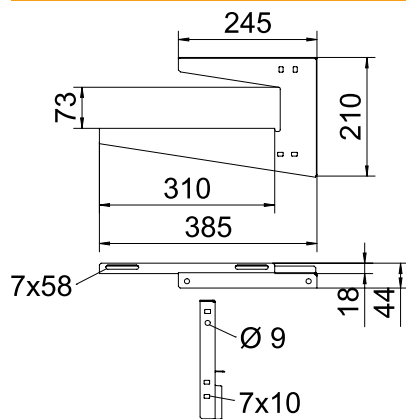
**VA** Stainless steel, rustproof 1.4301

**2B** Bright, reworked

### Master data

Item no.	6363748
Type	WDB L 300 A2
Description 1	Wall and ceiling bracket
Description 2	lightweight version
Dimension	B300mm
Material	Stainless steel, material no. 1.4301
Material symbol	A2
Surface	Bright, reworked
Surface symbol	2B
Smallest sales unit (VG)	1 Piece
Weight	52,00 kg/100 pc.

### Technical data



Length	385,00 mm
Width	310,00 mm
Height	210,00 mm
Dimension B	310,00 mm
Dimension H	210,00 mm
Dimension h1	73,00 mm
Dimension L	385,00 mm
Version	Suspension bracket (C clamp)
Tray fastening	Screw-on
F in ceiling	0,20 kN
F in kN wall	0,20 kN
for width	300,00 mm
for threaded rod	M8
For metric threaded rod	8
Suitable for tray/ladder width	300,00 mm
Suitable for maintaining electrical function	<input type="checkbox"/>
Suitable for cable tray	<input checked="" type="checkbox"/>
Suitable for cable ladder	<input checked="" type="checkbox"/>
Suitable for mesh cable tray	<input checked="" type="checkbox"/>
Hole diameter	7,00 mm

# Technical data sheet

## Wall and ceiling bracket

Item no. 6363748



### Technical data

Material thickness	1,25 mm
Adjustable	<input type="checkbox"/>

### Appr. load: