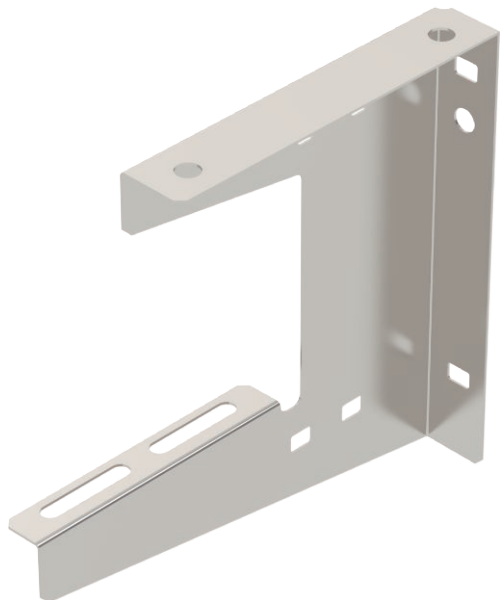


# Technical data sheet

## Wall and ceiling bracket

Item no. 6363742



Wall and ceiling bracket for universal structural fastening.

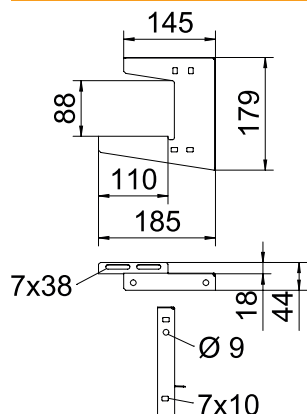


<b>VA</b>	Stainless steel, rustproof 1.4301
<b>2B</b>	Bright, reworked

### Master data

Item no.	6363742
Type	WDB L 100 A2
Description 1	Wall and ceiling bracket
Description 2	lightweight version
Dimension	B100mm
Material	Stainless steel, material no. 1.4301
Material symbol	A2
Surface	Bright, reworked
Surface symbol	2B
Smallest sales unit (VG)	1 Piece
Weight	15,00 kg/100 pc.

### Technical data



Length	185,00 mm
Width	110,00 mm
Height	179,00 mm
Dimension B	110,00 mm
Dimension H	179,00 mm
Dimension h1	88,00 mm
Dimension L	185,00 mm
Version	Suspension bracket (C clamp)
Tray fastening	Screw-on
F in ceiling	0,25 kN
F in kN wall	0,25 kN
for width	100,00 mm
for threaded rod	M8
For metric threaded rod	8
Suitable for tray/ladder width	100,00 mm
Suitable for maintaining electrical function	<input type="checkbox"/>
Suitable for cable tray	<input checked="" type="checkbox"/>
Suitable for cable ladder	<input checked="" type="checkbox"/>

# Technical data sheet

## Wall and ceiling bracket

Item no. 6363742



### Technical data

Suitable for mesh cable tray	<input checked="" type="checkbox"/>
Hole diameter	7,00 mm
Material thickness	1,00 mm
Adjustable	<input type="checkbox"/>

### Appr. load: