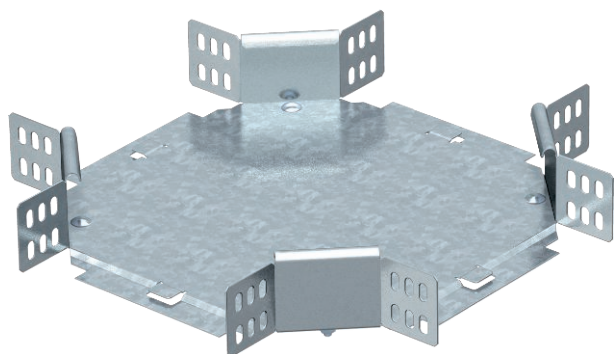


Technical data sheet

Cross-over 60

Item no. 6043623



Horizontal cross-over for all cable tray types of 60 mm side height.



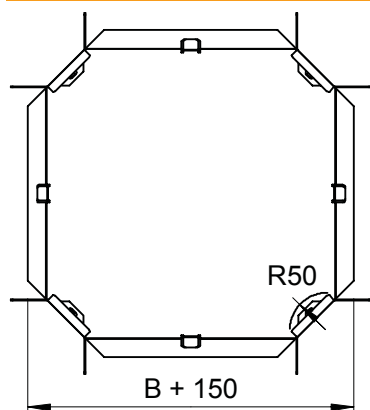
St	Steel
FS	Strip galvanised

Additional product text, instruction	The fitting is shipped in an unmounted state. All the sides are designed for the same cable tray width. Including appropriate fastening material.
--------------------------------------	---

Master data

Item no.	6043623
Type	RK 620 FS
Description 1	Cross over
Description 2	horizontal + angle connector
Dimension	60x200
Material	Steel
Material symbol	St
Surface	Strip galvanised
Surface to DIN	DIN EN 10346
Surface symbol	FS
Smallest sales unit (VG)	1,00 Piece
Weight	136,20 kg/100 pc.

Technical data



Width	200,00 mm
Side height	60,00 mm
Dimension R	50,00 mm
Dimension	350 x 350 x 60 mm
Suitable for maintaining electrical function	<input type="checkbox"/>
Rail thickness	1,25 mm
Material thickness, floor plate	1,00 mm
Rustproof steel, pickled	<input type="checkbox"/>
Wide-span version	<input type="checkbox"/>