

Technical data sheet

Locknut, metric thread

Item no. 2049562



Locknut to DIN 46319, with metric thread IEC 423.

Note: Only tighten polystyrene cable glands lightly due to the risk of stress crack formation.

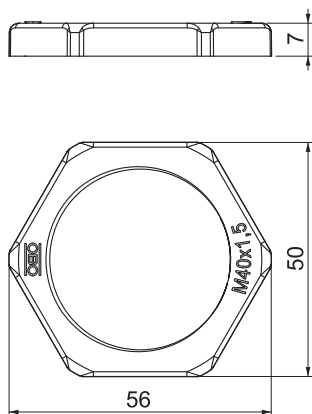


PS Polystyrene

Master data

Item no.	2049562
Type	116 M40 LGR PS
Description 1	Locknut
Dimension	M40
Colour	Light grey
RAL number	7035
Material	Polystyrene
Material symbol	PS
Smallest sales unit (VG)	25,00 Piece
Weight	0,49 kg/100 pc.

Technical data



Dimension E	56,00 mm
Dimension L	7,00 mm
WAF	50,00 mm
Thread type	Metric
Thread	M40 x 1,5
Nominal thread size metric/PG	40,00
Fibre-glass reinforced	<input type="checkbox"/>
Halogen-free	<input checked="" type="checkbox"/>
Impact-resistant	<input checked="" type="checkbox"/>