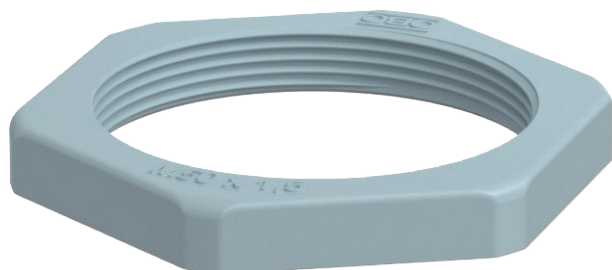


# Technical data sheet

## Cable outlet, plastic locknut

Item no. 2048817



Locknut DIN 46319, with metric thread IEC 423.

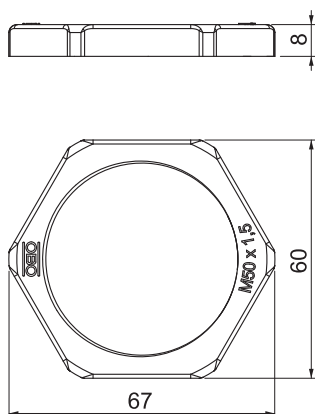


PA Polyamide

### Master data

Item no.	2048817
Type	116 M50 SGR PA
Description 1	Locknut
Dimension	M50
Colour	Silver grey
RAL number	7001
Material	Polyamide
Material symbol	PA
Smallest sales unit (VG)	25,00 Piece
Weight	0,90 kg/100 pc.

### Technical data



Dimension E	68,00 mm
Dimension L	8,00 mm
WAF	60,00 mm
Thread type	Metric
Thread	M50x1,5
Nominal thread size metric/PG	50,00
Fibre-glass reinforced	<input type="checkbox"/>
Halogen-free	<input checked="" type="checkbox"/>
Impact-resistant	<input type="checkbox"/>