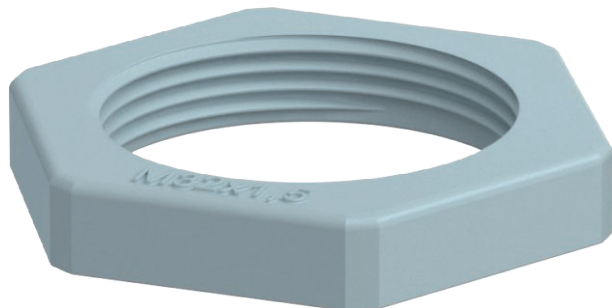


# Technical data sheet

## Cable outlet, plastic locknut

Item no. 2048795



Locknut DIN 46319, with metric thread IEC 423.

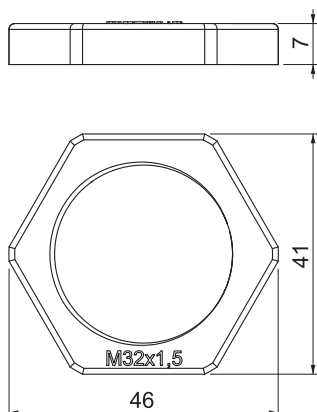


**PA** Polyamide

### Master data

Item no.	2048795
Type	116 M32 SGR PA
Description 1	Locknut
Dimension	M32
Colour	Silver grey
RAL number	7001
Material	Polyamide
Material symbol	PA
Smallest sales unit (VG)	50,00 Piece
Weight	0,50 kg/100 pc.

### Technical data



Dimension E	46,00 mm
Dimension L	7,00 mm
WAF	41,00 mm
Thread type	Metric
Thread	M32x1,5
Nominal thread size metric/PG	32,00
Fibre-glass reinforced	<input type="checkbox"/>
Halogen-free	<input checked="" type="checkbox"/>
Impact-resistant	<input type="checkbox"/>