

Technical data sheet

Locknut, PG thread

Item no. 2048299



Locknut DIN 46320, with PG thread DIN 40430.

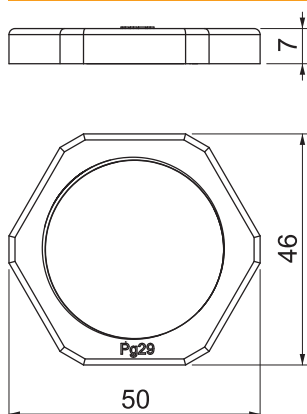


PA Polyamide

Master data

Item no.	2048299
Type	116 VDE PG29 PA
Description 1	Locknut
Dimension	PG29
Colour	Light grey
RAL number	7035
Material	Polyamide
Material symbol	PA
Smallest sales unit (VG)	50,00 Piece
Weight	1,10 kg/100 pc.

Technical data



Dimension E	50,00 mm
Dimension L	7,00 mm
WAF	46,00 mm
Thread type	PG
Thread	Pg 29
Nominal thread size metric/PG	29,00
Fibre-glass reinforced	<input type="checkbox"/>
Halogen-free	<input checked="" type="checkbox"/>
Impact-resistant	<input type="checkbox"/>