

# Technical data sheet

## EDS plug-in seal

Item no. 2012344



The push-in nipple can be cut back to suit the relevant cable diameter.

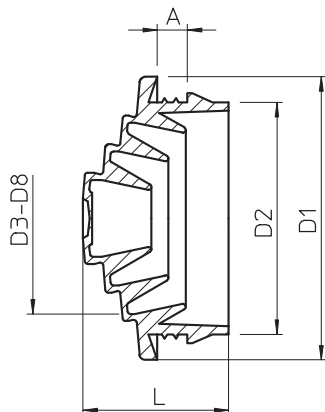


TPE Thermoplastic elastomer

### Master data

Item no.	2012344
Type	EDS M32 SW
Description 1	Plug-in seal
Description 2	for 3-mm wall thickness
Dimension	M32
Colour	Black
Material	Thermoplastic elastomer
Material symbol	TPE
Smallest sales unit (VG)	50,00 Piece
Weight	0,25 kg/100 pc.

### Technical data



Dimension A	3,10 mm
Dimension D1	36,30 mm
Dimension D2	32,30 mm
Dimension D3	6,00 mm
Dimension D4	10,00 mm
Dimension D5	15,00 mm
Dimension D6	20,00 mm
Dimension D7	25,00 mm
Dimension D8	28,00 mm
Dimension L	17,80 mm
Dimension t	3,10 mm
Version	Cutttable
For diameter	0,00 - 28,00 mm
For wall thickness	2,50 - 3,10
Sealing range D	0,00 - 28,00 mm
Flame resistant	Flame resistant to VDE 0471/DIN 695 Part 2-1, test temperature 650 °C
Size	M32
Halogen-free	<input checked="" type="checkbox"/>
Nominal diameter	32,00 mm

# Technical data sheet

EDS plug-in seal

Item no. 2012344



## Technical data

Protection rating | IP54