

# Technical data sheet

## EDS plug-in seal

Item no. 2012342



The push-in nipple can be cut back to suit the relevant cable diameter.

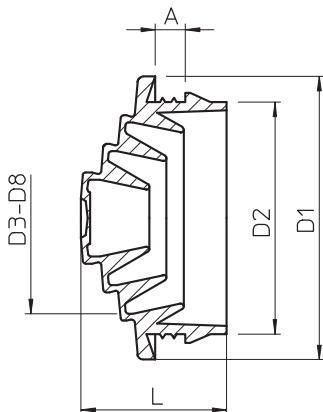


TPE Thermoplastic elastomer

### Master data

Item no.	2012342
Type	EDS M25 SW
Description 1	Plug-in seal
Description 2	for 3-mm wall thickness
Dimension	M25
Colour	Black
Material	Thermoplastic elastomer
Material symbol	TPE
Smallest sales unit (VG)	100,00 Piece
Weight	0,19 kg/100 pc.

### Technical data



Dimension A	3,10 mm
Dimension D1	29,50 mm
Dimension D2	25,30 mm
Dimension D3	6,00 mm
Dimension D4	10,00 mm
Dimension D5	15,00 mm
Dimension D6	20,00 mm
Dimension D7	22,00 mm
Dimension L	14,50 mm
Dimension t	3,10 mm
Version	Cuttable
For diameter	0,00 - 22,00 mm
For wall thickness	2,50 - 3,10
Sealing range D	0,00 - 22,00 mm
Flame resistant	Flame resistant to VDE 0471/DIN 695 Part 2-1, test temperature 650 °C
Size	M25
Halogen-free	<input checked="" type="checkbox"/>
Nominal diameter	25,00 mm
Protection rating	IP54