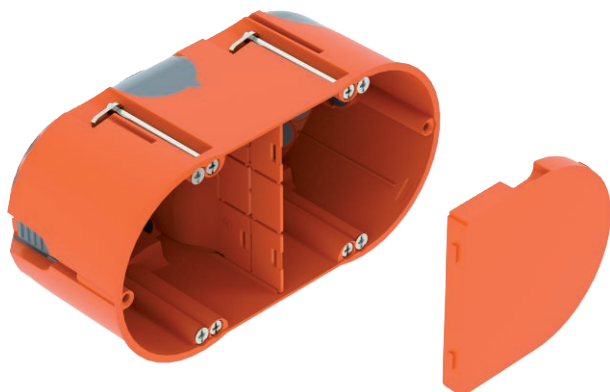


Technical data sheet

HW Cavity wall electronic box 61, airtight

Item no. 2003826



Cavity wall electronic box with membrane entries, cover and partition, for use in cavity walls with an installation depth of at least 61 mm and a plate thickness of 5–40 mm.

- 6 screw domes
- Device screws, clamping straps
- 4 combination pipe entries of Ø 20 and 25 mm
- 4 entries for NYM cables 3 x 1.5 mm²
- 2 entries for NYM cables 3 x 2.5 mm² or 5 x 1.5 mm²
- 2 entries for NYM cables 5 x 2.5 mm² or 7 x 1.5 mm²
- Airtight connection with other accessory sockets via connector, type ZH 11-V

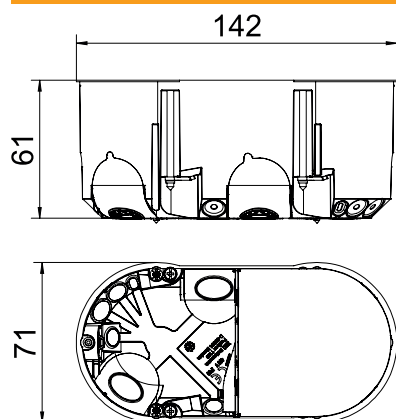


PP/TPE Polypropylene / thermoplastic elastomer

Master data

Item no.	2003826
Type	HE 61-DV-L
Description 1	HW Cavity wall electronic box
Description 2	double combination, airtight
Available from	01.10.2021
Dimension	142x71
Colour	Orange / grey
Material	Polypropylene / thermoplastic elastomer
Material symbol	PP/TPE
Smallest sales unit (VG)	10 Piece
Weight	6,19 kg/100 pc.

Technical data



Width	71,00 mm
Height	61,00 mm
Length	142,00 mm
No. of entries	14
Entries	14
Number of switch boxes	2
Type of housing penetration	Insertion membrane
Version for	Double
Shape	Device connection box
Fastening type	Clamp fastening
Device fixing	Screws ,
Cover	Orange
Cover fastening	Locking
Milling hole diameter	68,00 mm
Flame-resistant	acc. to VDE 0471/IEC 60695-2-11, test temperature 850°C
Shape	Oval
For pipe diameter	20/25 mm
Combination entries Ø 20 / 25 mm	4
Cable entries 3 x 2.5 mm ² / 5 x 1.5 mm ²	2
Cable entries 5 x 2.5 mm ² / 7 x 1.5 mm ²	2
Cable entries 3 x 1.5 mm ²	4
Cable entries for low voltages	2
Suitable for board thickness	5,00 - 40,00 mm
Accessory screw clearance	61,00 mm
Halogen-free	<input checked="" type="checkbox"/>
With bolts	<input checked="" type="checkbox"/>
Nominal cross section	1,50 - 2,50 mm ²

Technical data sheet

HW Cavity wall electronic box 61, airtight

Item no. 2003826



Technical data

Rated voltage	400,00 V
Impact-resistant	<input checked="" type="checkbox"/>
Protection rating	IP30
Support	Connector
Airtight	<input checked="" type="checkbox"/>

Table 1




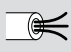
				
	1,5 mm ²	2,5 mm ²	1,5 mm ²	2,5 mm ²
	9	7	7	5
	24	18	32	26

Table 1