

Cat.6 Keystone Jack UTP, 180°, LSA/IDC punch down

Part no.: NK4005

Technical Features

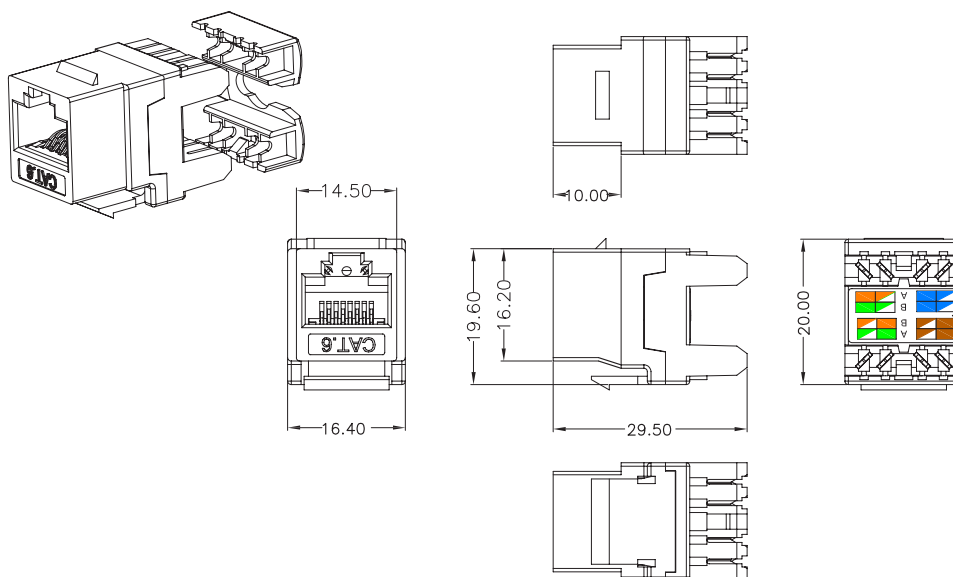
Category 6 Class E 250 MHz

EIA/TIA 568B.2-1

AWG 22–26, T568A/B

UTP (unshielded version)

Technical Drawings



NK4005



4 052792 027686

Made in China

www.logilink.com



RoHS
compliant



* The specifications and pictures are subject to change without notice.
*All trade names referenced are the registered trademark of their respective owners.

Package Contents

Packaging Informations

Packing Dimension	42 x 27 x 20mm
Packing Weight	0.02kg
Carton Dimension	420 x 263 x 450mm
Carton Q'ty	500pcs
Carton Weight	7.3kg

NK4005



4 052792 027686

Made in China

www.logilink.com



RoHS
compliant



* The specifications and pictures are subject to change without notice.
*All trade names referenced are the registered namework of their respective owners.