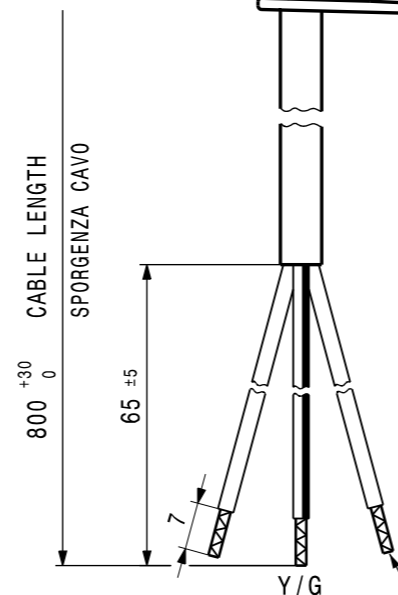
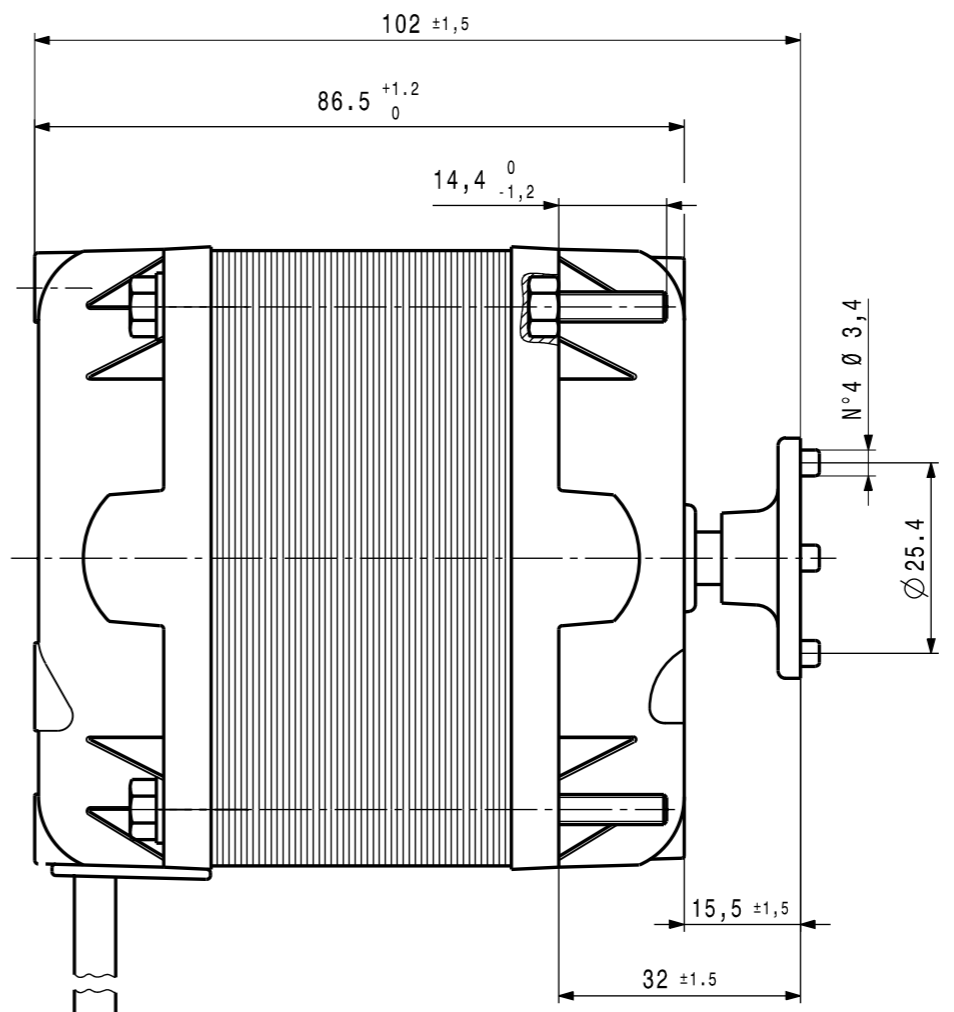
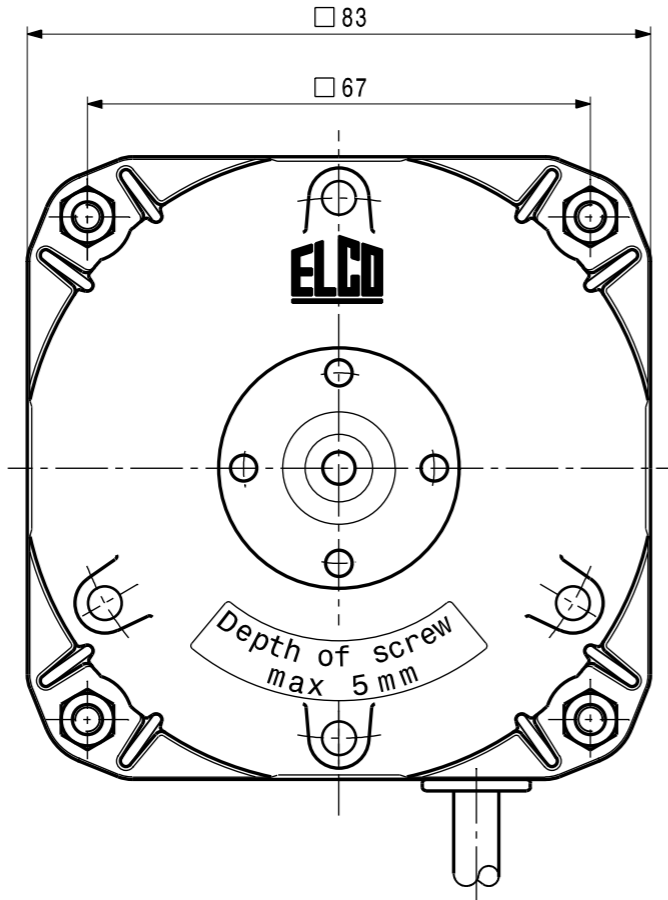
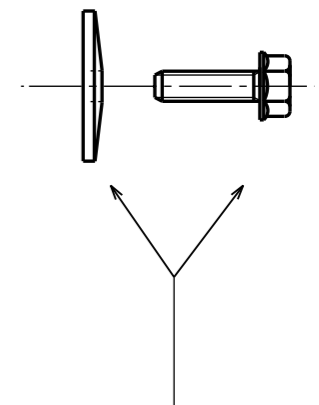


CCW ROTATION  
ROTAZIONE ANTIORARIA



POINT TERMINALS  
TERMINALI A PUNTALE



PARTS SUPPLIED LOOSE  
PARTICOLARI  
FORNITI A PARTE

- ALUMINIUM END-SHIELDS (COPERCHI IN ALLUMINIO)

- ASSEMBLY NOTE	:RULE	EL.UN.0002
- MECHANICAL CHECK	:RULE	EL.CM. 001
- LABEL LOCATION	:RULE	EL.UN.0053
- ELECTRICAL CHECK:		M.551/1

VNT 25-40 /1732 DATE  
230V ~ 50/60Hz  
25/95W 0,68A CL.B  
PROT.TERM. 1300/1550RPM

REG.-Nr. 4642  
NET2T25PVN007

Rel	Date	Description	Executer signature	Checked
B	01-08-14	Updating drawing: dimensions, graphics, and notes in english.	M.Cazzaniga	T.Sirtori
A	18-01-10	Updating due to VDE Certification (old 230/240V - new 230V)	R.M.T.09/0012 A.T.	S.Mapelli

For dim. without tolerance see standard UNI EN 22768-mK

Treatment -  
Material -

A3

ELCO

Drawn Cazzaniga  
Date 14-04-08  
Check Sirtori  
Scale 1:1

MOTOR VNT 25-40 /1732  
230V ~ 50/60Hz  
'VDE' RULES

Weight :  
Ref.No R.S.0092/08

Release B

NET2T25PVN007

MODIFICATIONS

DRAWING MADE BY  
CAD  
HAND MADE MODIFICATIONS ARE FORBIDDEN