

1

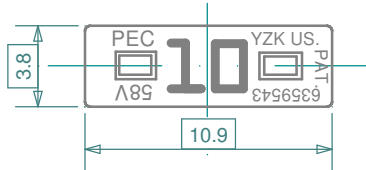
2

3

4

A

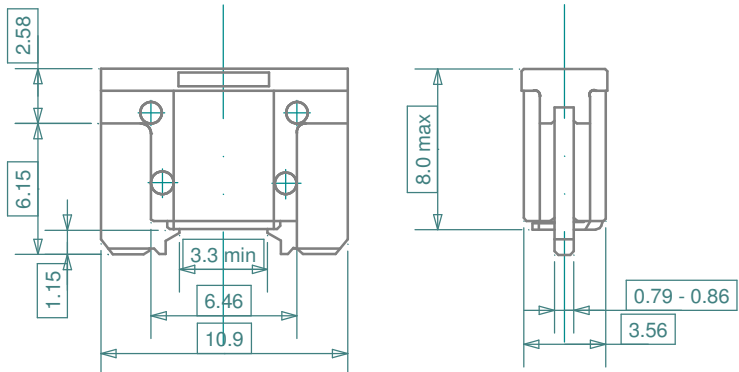
A



Fusing time ISO 8820-9 [s]		
Load [%]	Minimum [s]	Maximum [s]
110 %	360,000	-
135 %	0.75	600
160 %	0.25	50
200 %	0.15	5
350 %	0.04	0.5
600 %	0.02	0.1

B

B



C

C

Notes:	
Housing	Nylon material, rating printed in white OCR-A font on fuse top
Element	Zinc alloy material

D

D

Rating [A]	Color	Volt [V]	iMaXX Reference
2	Gray	58	FLP7002
3	Violet	58	FLP7003
4	Pink	58	FLP7004
5	Tan	58	FLP7005
7.5	Brown	58	FLP7075
10	Red	58	FLP7010
15	Blue	58	FLP7015
20	Yellow	58	FLP7020
25	Natural	58	FLP7025
30	Green	58	FLP7030

E

E

Revisions			Drawn	Date	Appr.
a	04/07	add 58V	Checked	10/12	GRH
b	07/07	re-drawn	Standards	10/12	BE
c	10/12	updated DIN to ISO	Approved	10/12	AdH



F

F

Scale	3 : 1	Title	FLP7000 series, miniOTO Low Profile fuse
Projection		Drawing type	schematic
		Drawing number	FLP7000 drawing 1
		Sheet	1 of 1
		Layers	0 1 2 6 8 9 10

1

2

3

4