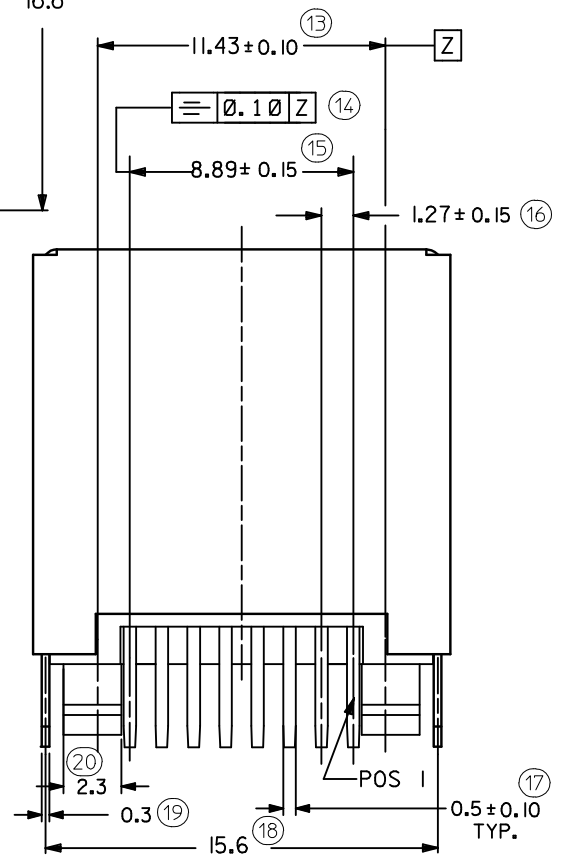
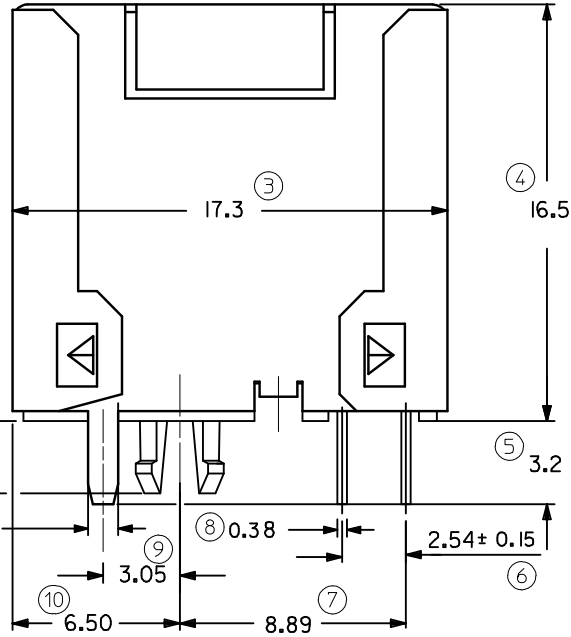
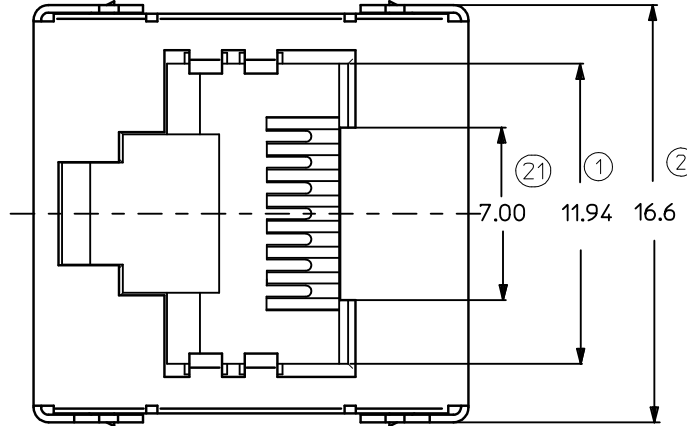
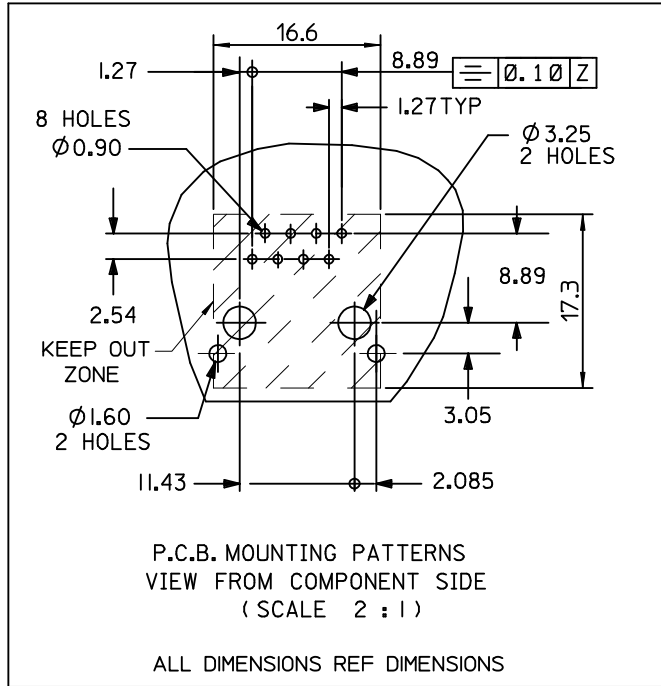


TECHNICAL SPECIFICATIONS:

1- MATERIAL: HOUSING: LCP G.F. UL94V0 COLOR : BLACK
 TERMINAL : PHOSPHOR BRONZE PLATED WITH
 BASE FINISH: NICKEL
 CONTACT SURFACE FINISH:
 GOLD
 OR
 GOLD FLASH OVER PALLADIUM NICKEL.
 EXCEEDS PRODUCT REQUIREMENTS BASED ON PS-85508-001
 SHIELD : BRASS PLATED WITH 0.0020 MIN TIN

PART NUMBER	TOOLED	PCB THICKNESS
85508-5001	YES	1.57



NOTES :

- 1- JACK FOR MATING WITH F.C.C. 68 PLUGS 95043 MOLEX SERIES.
 - 2- PRODUCT SPECIFICATION: MOLEX PS-85508-001.
 - 3- APPLICATION SPECIFICATION: AS-85513-001
 - 4- PACKAGING SPECIFICATION: MOLEX PK-95123.
 - 5- EXCEEDS CATEGORY 5E PERFORMANCE.
- LAST INSPECTION NUMBER: 21

SHIELD UPDATED	EC NO: IPG2014-1966	2014/05/01	QUALITY SYMBOLS	GENERAL TOLERANCES (UNLESS SPECIFIED)		DIMENSION STYLE		SCALE	DESIGN UNITS	THIRD ANGLE PROJECTION		
	DRWN: JKEARNS	2014/06/24		mm	INCH	MM ONLY		5:1	METRIC			
	CHKD: DBYRNES	2014/06/24		4 PLACES ± --- ± ---	3 PLACES ± --- ± ---	DRAWN BY	DATE	TITLE				
	APPR: STGRIFFIN	2014/06/25		2 PLACES ± 0.25 ± ---	1 PLACE ± 0.35 ± ---	CHECKED BY	DATE	CAT 5E MODULAR JACK TOP ENTRY 8 CKTS THROUGH HOLE VERSION				
				ANGULAR ± 2 °		APPROVED BY	DATE	MOLEX MOLEX INCORPORATED				
				DRAFT WHERE APPLICABLE MUST REMAIN WITHIN DIMENSIONS		MATERIAL NO.		DOCUMENT NO.			SHEET NO.	
						SIZE		SD-85508-501			1 OF 1	
						THIS DRAWING CONTAINS INFORMATION THAT IS PROPRIETARY TO MOLEX INCORPORATED AND SHOULD NOT BE USED WITHOUT WRITTEN PERMISSION						