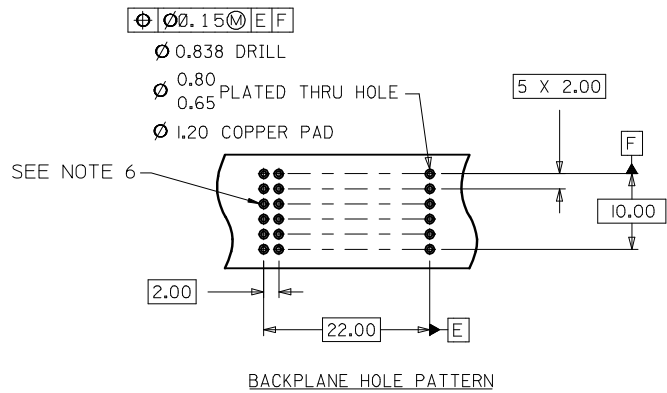
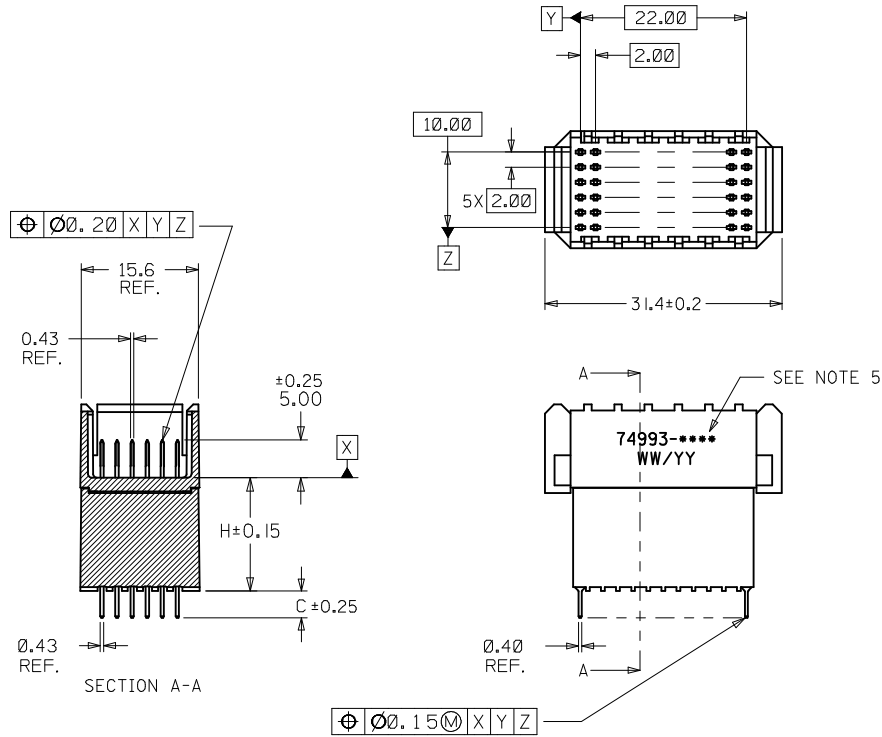


NOTES:

1. MATERIALS: HOUSING-LIQUID CRYSTAL POLYMER (LCP), GLASS-FILLED, UL-94V-0, COLOR: BLACK, TERMINAL - PHOSPHOR BRONZE.
2. FINISH: SELECTIVE GOLD (Au) IN CONTACT AREA, 0.76 MICROMETER MINIMUM THICKNESS; SELECTIVE TIN (Sn) ON PCB TAILS, 0.38 MICROMETER MINIMUM THICKNESS; NICKEL (Ni) UNDERPLATE OVERALL.
3. THIS PART CONFORMS TO MOLEX PRODUCT SPECIFICATION PS-73780-9999.
4. SEE TABLE ON SHEET 2 FOR PACKAGING SPECIFICATION.
5. PARTS MARKED WITH PART NUMBER AND DATE CODE ON EITHER SIDE, APPROXIMATELY WHERE SHOWN.
6. HOLE SIZE SPECIFICATION IS FOR TIN/LEAD PLATED HOLES ONLY. FOR OTHER PLATING TYPES SEE MOLEX APPLICATION AS-73670-9996.
7. PART CONFORMS TO MOLEX COSMETIC SPECIFICATION PS-45499-002 CLASS B.



CHG PKG FOR 15MM EC NO: UCP2013-0087 DRWNG:MORGAN 2012/08/28 CHKD:BBARKER 2012/08/28 APPR:SMILLER 2012/09/18	QUALITY SYMBOLS ▽=0 ▽=0 ▽=0	GENERAL TOLERANCES (UNLESS SPECIFIED)		DIMENSION STYLE MM ONLY		SCALE 2:1	DESIGN UNITS METRIC	THIRD ANGLE PROJECTION	
				mm	INCH	DRAWN BY MIBARRA		DATE 2005/07/01	
		4 PLACES ± ---		± ---	± ---	CHECKED BY BSMART		DATE 2005/07/01	
		3 PLACES ± ---		± ---	± ---	APPROVED BY SMILLER		DATE 2005/07/01	
2 PLACES ± ---		± ---	± ---	ANGULAR ±1/2°		MATERIAL NO. SEE SHEET 2		DOCUMENT NO. SD-74993-002	
1 PLACE ± ---		± ---	± ---	DRAFT WHERE APPLICABLE MUST REMAIN WITHIN DIMENSIONS		SIZE C		SHEET NO. 1 OF 2	
0 PLACE ± ---		± ---	± ---	THIS DRAWING CONTAINS INFORMATION THAT IS PROPRIETARY TO MOLEX INCORPORATED AND SHOULD NOT BE USED WITHOUT WRITTEN PERMISSION					

MATERIAL NUMBER ASSIGNMENT

74993-* * 09

NUMBER	CIRCUIT SIZE	DIM "C"	TAIL STYLE
0	72	2.0	SOLDER
1	72	2.5	SOLDER
2	72	3.0	SOLDER
3	72	3.5	SOLDER
4	72	3.5	PRESSFIT

NUMBER	DIM "H"	PACKAGING SPECIFICATION
0	6.05	PK-70873-0875
1	10.05	PK-70873-0871
2	15.05	PK-70873-1873

SEE SHEET 1 EC NO: UCP2013-0087 DRWING: MORGAN 2012/08/28 CHKD: BBARKER 2012/08/28 APPR: SMILLER 2012/09/18	REV C	DESCRIPTION ∇=0 ∇=0 ∇=0	QUALITY SYMBOLS	GENERAL TOLERANCES (UNLESS SPECIFIED)		DIMENSION STYLE MM ONLY		SCALE	DESIGN UNITS METRIC	THIRD ANGLE PROJECTION 	
						DRAWN BY MIBARRA	DATE 2005/07/01	TITLE SALES ASSY HDM BACKPLANE STACKING MOD. LEAD FREE DOUBLE END WALL OPTION			
						CHECKED BY BSMART	DATE 2005/07/01				
						APPROVED BY SMILLER	DATE 2005/07/01	DOCUMENT NO. SD-74993-002		SHEET NO. 2 OF 2	
		ANGULAR ±1/2° DRAFT WHERE APPLICABLE MUST REMAIN WITHIN DIMENSIONS		MATERIAL NO. SEE TABLE							
THIS DRAWING CONTAINS INFORMATION THAT IS PROPRIETARY TO MOLEX INCORPORATED AND SHOULD NOT BE USED WITHOUT WRITTEN PERMISSION											

10 9 8 7 6 5 4 3 2 1

F
E
D
C
B
A

MATERIAL NUMBER ASSIGNMENT

74993-* * 0 9

NUMBER	CIRCUIT SIZE	DIM "C"	TAIL STYLE
0	72	2.0	SOLDER
1	72	2.5	SOLDER
2	72	3.0	SOLDER
3	72	3.5	SOLDER
4	72	3.5	PRESSFIT

NUMBER	DIM "H"
0	6.05
1	10.05
2	15.05

INITIAL RELEASE EC NO: UCP2005-2847 DRWN:MIBARRA 2005/07/25 CHKD:BSMART 2005/07/26 APPR:SMILLER 2005/07/27	DESCRIPTION A	QUALITY SYMBOLS ▽=0 ▽=0	GENERAL TOLERANCES (UNLESS SPECIFIED)		DIMENSION STYLE MM ONLY		SCALE ---	DESIGN UNITS METRIC	THIRD ANGLE PROJECTION
		4 PLACES ± --- ± ---	DRAWN BY MIBARRA	DATE 05/07/01	TITLE SALES ASSY HDM BACKPLANE STACKING MODULE DOUBLE END OPTION				
		3 PLACES ± --- ± ---	CHECKED BY BSMART	DATE 05/07/01					
		2 PLACES ± --- ± ---	APPROVED BY SMILLER	DATE 05/07/01	MOLEX INCORPORATED				
1 PLACE ± --- ± ---	ANGULAR ±1/2°		MATERIAL NO. SEE TABLE	DOCUMENT NO. SD-74993-002					SHEET NO. 2 OF 2
DRAFT WHERE APPLICABLE MUST REMAIN WITHIN DIMENSIONS			THIS DRAWING CONTAINS INFORMATION THAT IS PROPRIETARY TO MOLEX INCORPORATED AND SHOULD NOT BE USED WITHOUT WRITTEN PERMISSION						

9 8 7 6 5 4 3 2 1