

NOTES:

- 1- MATERIAL: PA 6.6 BLACK heat stabilized.
- 2- DELIVERED PRODUCT WEIGHT: 3.6 g.
- 3- RELATED COUNTERPART FEMALE CONNECTORS (32 WAYS).

MARKINGS:

1 Supplier identification.

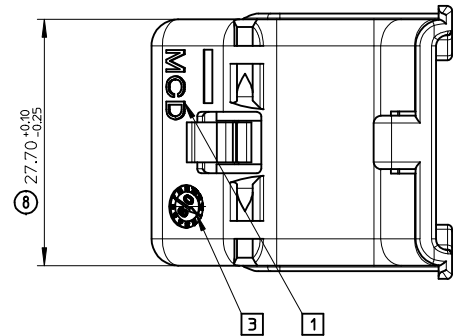
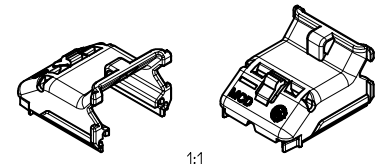
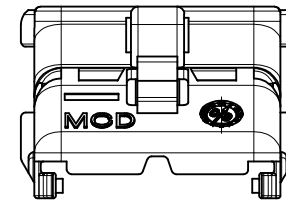
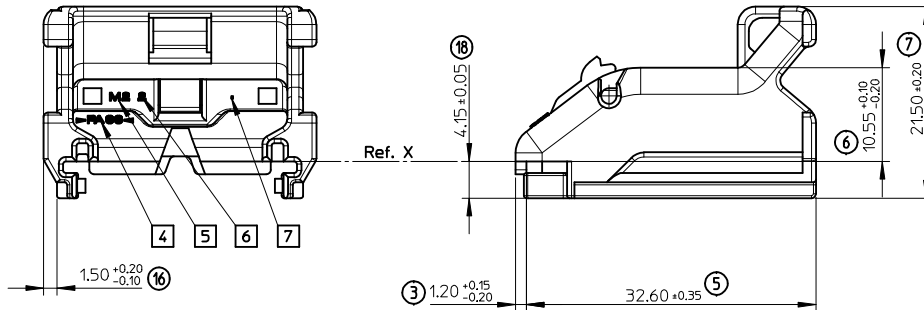
3 Date: MONTH/YEAR.

4 Material.

5 Mould identification M1 or M2.

6 Print identification (number).

7 Revision level



REVISED EC NO: G2015-0147 DRW: PBOUAIN 2015/02/12 CHK: APLESSIS 2015/02/12 APPR: CBOUCHAN 2015/03/03	DESCRIPTION [REDACTED]	GENERAL TOLERANCES (UNLESS SPECIFIED)		DIMENSION STYLE <b>MM ONLY</b>		SCALE <b>2.5:1</b>	DESIGN UNITS <b>METRIC</b>	FIRST ANGLE PROJECTION	
			mm	INCH	DRAWN BY PGRANDCL	DATE 2013/04/15	TITLE <b>WIRE CAP 32 WAY          MAT SEAL VERSION</b>		
		4 PLACES	±---	±---	CHECKED BY JDUCLOS	DATE 2013/04/15	<b>molex</b>		
		3 PLACES	±---	±---	APPROVED BY CBOUCHAN	DATE 2014/02/03	MATERIAL NO. <b>0643191201</b>	DOCUMENT NO. <b>SD-64319-002</b>	SHEET NO. <b>1 OF 1</b>
ANGULAR ±---°		DRAFT WHERE APPLICABLE MUST REMAIN WITHIN DIMENSIONS		SIZE <b>A2</b>		THIS DRAWING CONTAINS INFORMATION THAT IS PROPRIETARY TO MOLEX INCORPORATED AND SHOULD NOT BE USED WITHOUT WRITTEN PERMISSION			