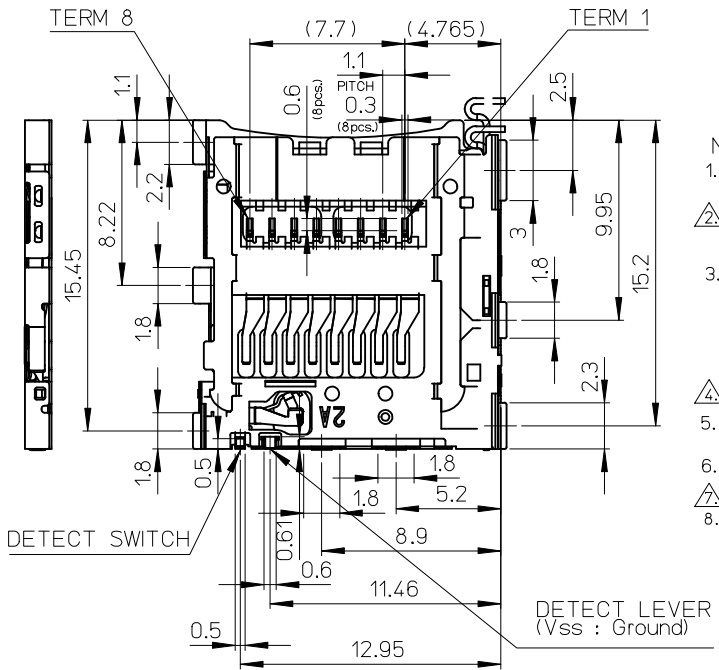
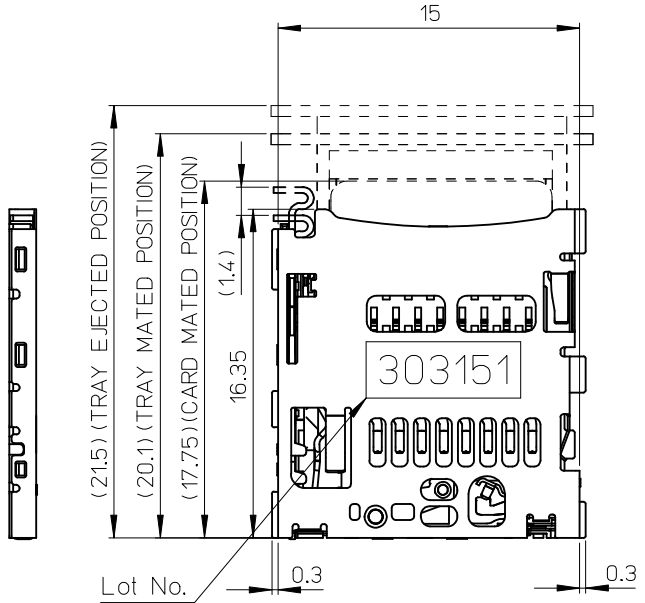
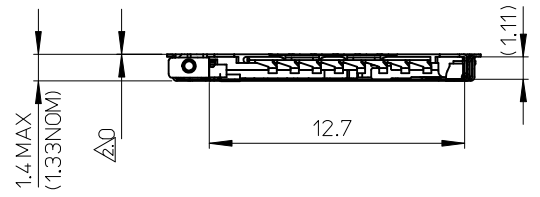


CONFIDENTIAL

No.	NAME	MATERIAL
①	HOUSING	LIQUID CRYSTAL POLYMER UL94V-0, BLACK
②	TERMINAL	COPPER ALLOY
③	SHELL	STAINLESS STEEL
④	EJECT LEVER	STAINLESS STEEL
⑤	EJECT BAR	STAINLESS STEEL
⑥	DETECT LEVER	COPPER ALLOY
⑦	DETECT SWITCH	COPPER ALLOY
⑧	HOOK	STAINLESS STEEL

PIN ASSIGNMENT

TERM 1:	DATA2
TERM 2:	CD/DAT3
TERM 3:	CMD
TERM 4:	V _{dd}
TERM 5:	CLK
TERM 6:	V _{ss}
TERM 7:	DAT0
TERM 8:	DAT1



NOTES :
 1. TERMINAL AND NAIL COPLANARITY TO BE 0.08 MAXIMUM. (FROM GAUGE PLANE)

- △ STAND OFF DIMENSION (STAND OFF DIMENSION IS INCLUDED IN THE CONNECTOR TOTAL HEIGHT)
- 3. DETECT SWITCH FUNCTION

NO TRAY	OPEN
TRAY EJECTED POSITION	OPEN
TRAY MATED POSITION	CLOSE

- △ PATTERN KEEP OUT AREA DIMENSION
- 5. (DIMENSION) : REFERENCE VALUE (IT IS A NOT A MANAGEMENT DIMENSION)
- 6. ELV & R&HS COMPLIANT.
- △ GND RECOMMENDED PATTERN.
- 8. PLEASE MAKE TRAY BY USING A METALLIC MATERIAL NOT DEFORMED EASILY

THE YEAR OF GRACE
 2 : 2012#
 3 : 2013#
 4 : 2014#

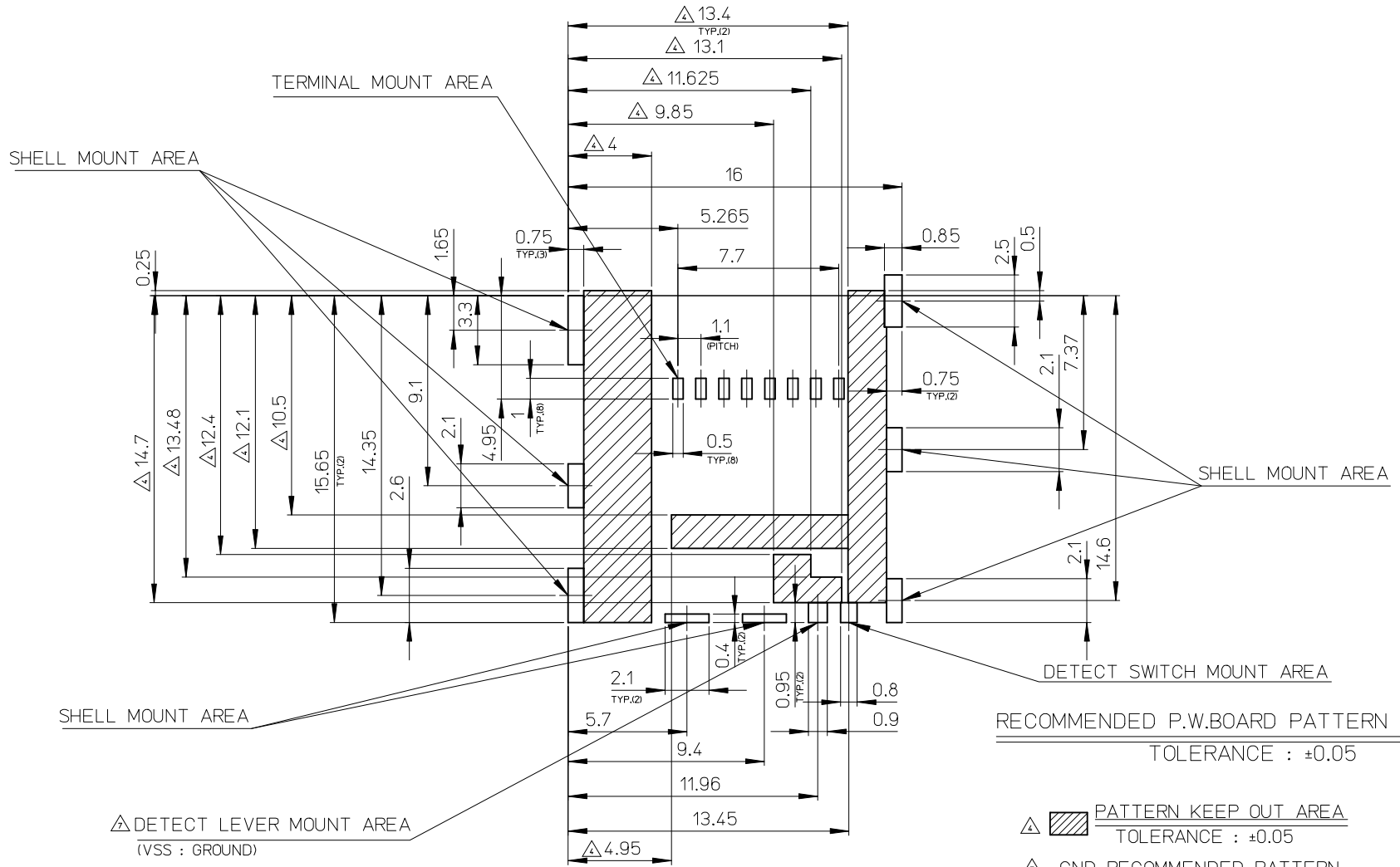
MONTH DAY
 03 : 3# 15 : 15#

LINE No.
 0 : JAPAN
 1-9 : DALIAN

504528-0892	8
EMBOSSED PACKAGE	極数
オーダー番号 ORDER NO.	CIRCUITS
CONNECTOR SERIES No. 504528-****	

RELEASED EC No. J2014-1153 DRWN: YMATSUMOTO 2014/01/24 CHKD: SAKIYAMA 2014/01/24 APPR: NUKITA 2014/01/31	GENERAL TOLERANCES (UNLESS SPECIFIED)		DIMENSION STYLE MM ONLY		SCALE 4:1	DESIGN UNITS METRIC	THIRD ANGLE PROJECTION
	10 UNDER	±0.2	DRAWN BY YMATSUMOTO	DATE 2014/01/24	TITLE MICRO SD CONN. BAR-PUSH TYPE WITH TRAY ASSY molex DOCUMENT NO. SD-504528-003 SHEET NO. 1 OF 3		
	10 OVER 30 UNDER	±0.25	CHECKED BY SAKIYAMA	DATE 2014/01/24			
	30 OVER	±0.3	APPROVED BY NUKITA	DATE 2014/01/31			
ANGULAR	±1°	MATERIAL NO.	SEE CHART				
DRAFT WHERE APPLICABLE MUST REMAIN WITHIN DIMENSIONS		SIZE A3	THIS DRAWING CONTAINS INFORMATION THAT IS PROPRIETARY TO MOLEX INCORPORATED AND SHOULD NOT BE USED WITHOUT WRITTEN PERMISSION				

REFERENCE ONLY
 There is a proposed drawing for concept, so the dimensions are subject to change without notice.
 Also, this model is tentative, and has the possibility of changing.



RECOMMENDED P.W.BOARD PATTERN LAYOUT
TOLERANCE : ±0.05

- PATTERN KEEP OUT AREA**
TOLERANCE : ±0.05
- GND RECOMMENDED PATTERN.**

REFERENCE ONLY
There is a proposed drawing for concept,
so the dimensions are subject to change without notice.
Also, this model is tentative, and has the possibility of changing.

RELEASED EC NO: J2014-1153 DRWN: YMATSUMOTO 2014/01/24 CHKD: SAKIYAMA 2014/01/24 APPR: NUKITA 2014/01/31	GENERAL TOLERANCES (UNLESS SPECIFIED)		DIMENSION STYLE MM ONLY	SCALE 5:1	DESIGN UNITS METRIC	THIRD ANGLE PROJECTION
	10 UNDER	±0.2	DRAWN BY YMATSUMOTO	DATE 2014/01/24	TITLE MICRO SD CONN. BAR-PUSH TYPE WITH TRAY ASSY	
	10 OVER 30 UNDER	±0.25	CHECKED BY SAKIYAMA	DATE 2014/01/24		
	30 OVER	±0.3	APPROVED BY NUKITA	DATE 2014/01/31		
ANGULAR	±1	MATERIAL NO.	SEE SHEET 1	DOCUMENT NO. SD-504528-003		
DRAFT WHERE APPLICABLE MUST REMAIN WITHIN DIMENSIONS		THIS DRAWING CONTAINS INFORMATION THAT IS PROPRIETARY TO MOLEX INCORPORATED AND SHOULD NOT BE USED WITHOUT WRITTEN PERMISSION				

10 9 8 7 6 5 4 3 2 1

F

E

D

C

B

A

F

E

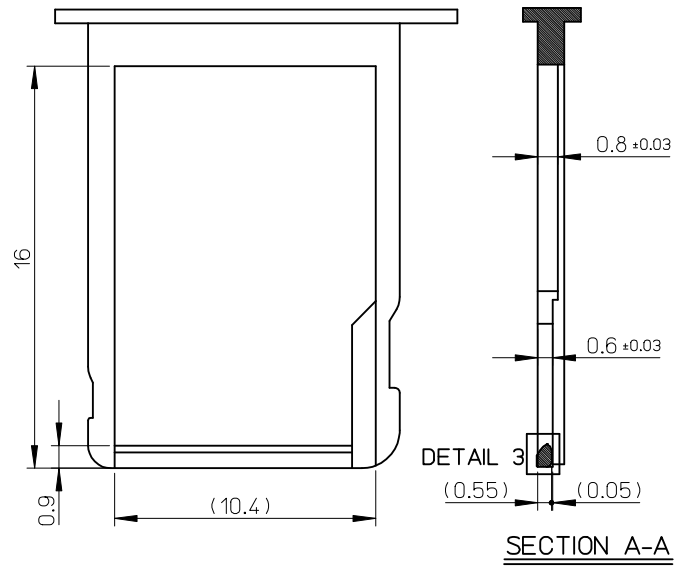
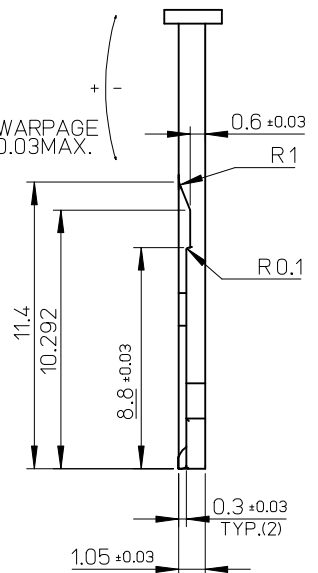
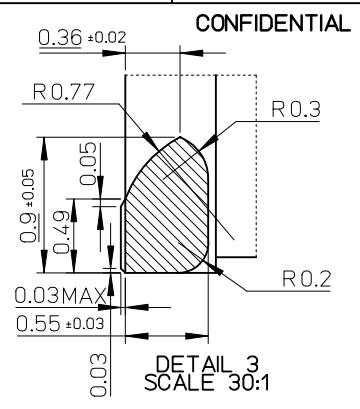
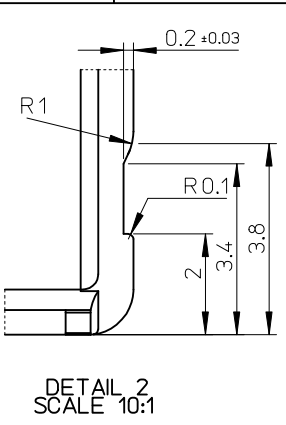
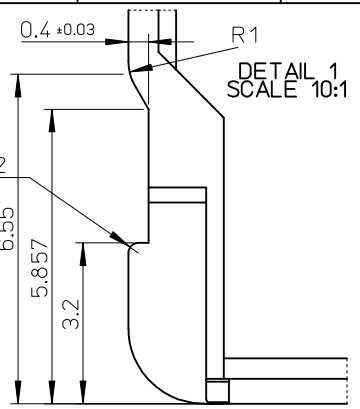
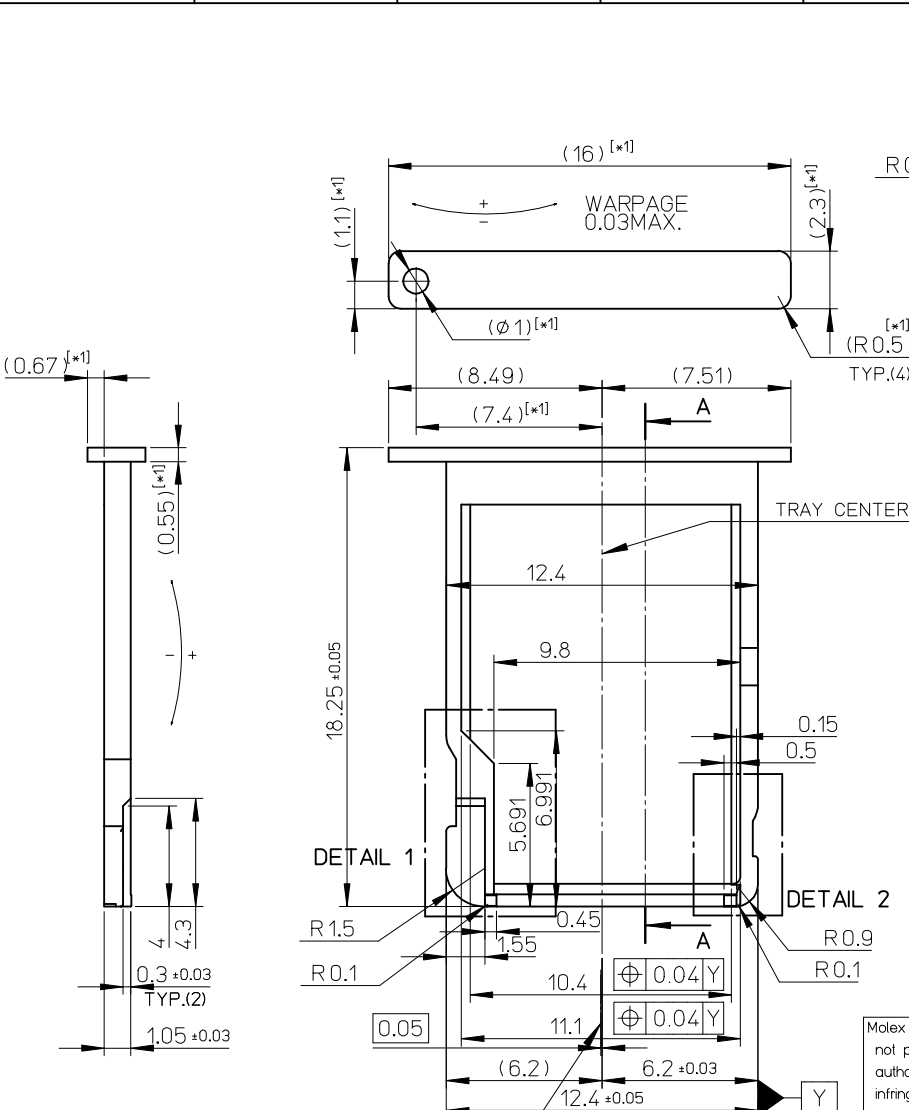
D

C

B

A

CONFIDENTIAL



APPLICABLE MIM TRAY
(REFERENCE ONLY)
TOLERANCE : ±0.05
COPRANALITY 0.05MAX
SURFACE ROUGHNESS : Ra=1 μm MAX.

[x1]CUSTOMER CAN DECIDE THIS DIMENSION.
REFERENCE ONLY
There is a proposed drawing for concept,
so the dimensions are subject to change without notice.
Also, this model is tentative, and has the possibility of changing.

Molex shall not be responsible for any infringement to the extent such infringement is the result of (a) use of the Product(s) in combination with any other products not provided by Molex if the infringement would not have occurred but for such combination, (b) any alteration or modification of the Product(s) not undertaken or authorized by Molex if the infringement would not have occurred but for such alteration or modification, (c) Molex's compliance with Buyer's specifications if the infringement would not have occurred but for such compliance, or (d) Buyer's failure to comply with Molex's instructions regarded as necessary to render the Product(s) non-infringing if the infringement would not have occurred if Buyer would have complied with Molex's instructions.

RELEASED EC NO: J2014-1153 DRWN: YMATSUMOTO 2014/01/24 CHKD: SAKIYAMA 2014/01/24 APPR: NUKITA 2014/01/31	GENERAL TOLERANCES (UNLESS SPECIFIED)		DIMENSION STYLE MM ONLY	SCALE 5:1	DESIGN UNITS METRIC	THIRD ANGLE PROJECTION	
	10 UNDER ±0.2 10 OVER 30 UNDER ±0.25 30 OVER ±0.3	ANGULAR ±1°	DRAFT WHERE APPLICABLE MUST REMAIN WITHIN DIMENSIONS	DRAWN BY YMATSUMOTO	DATE 2014/01/24	TITLE MICRO SD CONN. BAR-PUSH TYPE WITH TRAY ASSY	SHEET NO. 3 OF 3
	CHECKED BY SAKIYAMA	DATE 2014/01/24	APPROVED BY NUKITA	DATE 2014/01/31	MATERIAL NO. SEE SHEET 1	DOCUMENT NO. SD-504528-003	THIS DRAWING CONTAINS INFORMATION THAT IS PROPRIETARY TO MOLEX INCORPORATED AND SHOULD NOT BE USED WITHOUT WRITTEN PERMISSION
	REV O	DESCRIPTION	SIZE A3	molex			

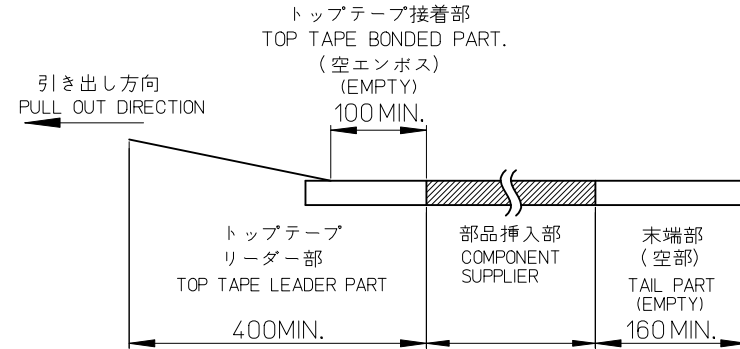
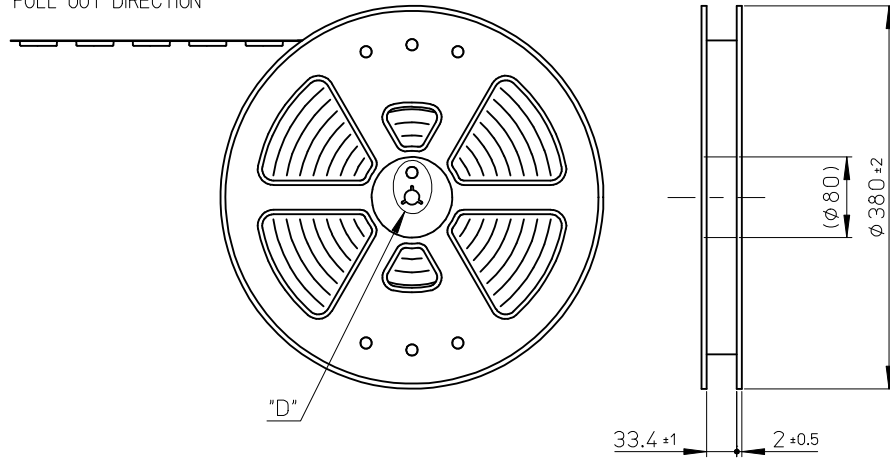
9 8 7 6 5 4 3 2

NOTES

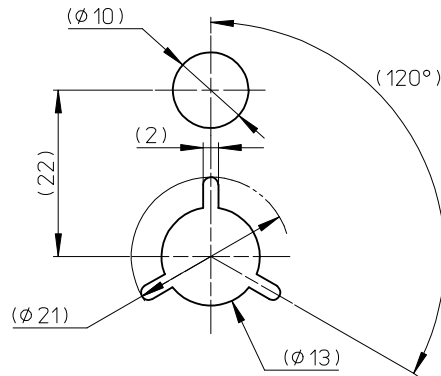
CONFIDENTIAL

- 製品詳細寸法は製品単体図面を参照して下さい。
FOR DETAIL OF CONNECTOR DIMENSIONS, PLEASE SEE THE DRAWING OF CONNECTOR ITSELF (NOT PACKAGED)
- 梱包数量: 1400個/リール
NUMBER OF CONNECTORS: 1400 PCS/REEL.
- リードテープ長さ LEAD TAPE LENGTH.

引き出し方向
PULL OUT DIRECTION



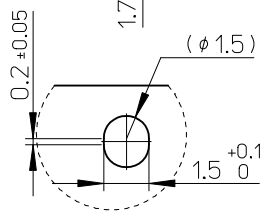
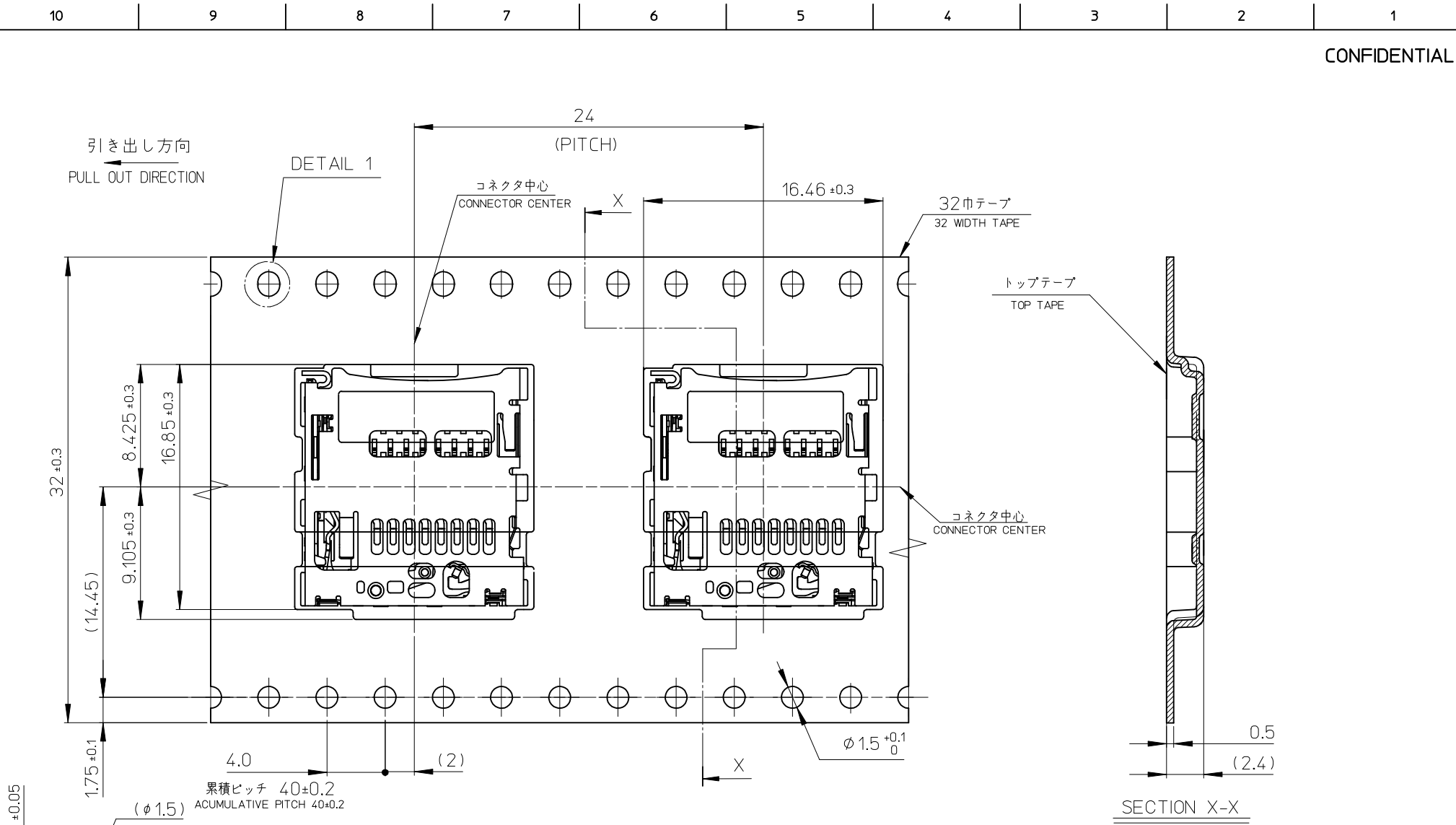
- カバーテープの剥離強度については、IEC60286-3に準拠
Cover tape peel force is defined by IEC60286-3.
- 材料 MATERIAL
キャリアテープ(CARRIER TAPE): ポリスチレン (POLYSTYRENE)
トップテープ(TOP TAPE): PET, PE, PEF
リール(REEL): ポリスチレン(PS)<リサイクル材含む>
POLYSTYRENE (PS)<RECYCLE MATERIAL CONTAINED>
- ELV AND RoHS COMPLIANT



DETAIL "D"

504528-0821	504528-0892	504528-08**
CONNECTOR ONLY		MODEL NO.

RELEASED EC NO: J2014-1153 DRWN: YMATSUMOTO 2014/01/24 CHKD: SAKIYAMA 2014/01/24 APPR: NUKITA 2014/01/31	GENERAL TOLERANCES (UNLESS SPECIFIED)		DIMENSION STYLE MM ONLY		SCALE ---	DESIGN UNITS METRIC	THIRD ANGLE PROJECTION
	10 UNDER	± 0.2	DRAWN BY YMATSUMOTO	DATE 2014/01/24	TITLE MICRO SD CARD CONN. BAR-PUSH WITH TRAY EMBOSSSED TAPE PACKAGE		
	10 OVER 30 UNDER	± 0.25	CHECKED BY SAKIYAMA	DATE 2014/01/24	DOCUMENT NO. SD-504528-004		
	30 OVER	± 0.3	APPROVED BY NUKITA	DATE 2014/01/31	SHEET NO. 1 OF 2		
	ANGULAR ± 1 °	MATERIAL NO. SEE CHART		THIS DRAWING CONTAINS INFORMATION THAT IS PROPRIETARY TO MOLEX INCORPORATED AND SHOULD NOT BE USED WITHOUT WRITTEN PERMISSION			
	DRAFT WHERE APPLICABLE MUST REMAIN WITHIN DIMENSIONS						



DETAIL 1
SCALE 3:1

RELEASED EC NO: J2014-1153 DRWN: YMATSUMOTO 2014/01/24 CHKD: SAKIYAMA 2014/01/24 APPR: NUKITA 2014/01/31 REV: 0	GENERAL TOLERANCES (UNLESS SPECIFIED)		DIMENSION STYLE MM ONLY		SCALE ---	DESIGN UNITS METRIC	THIRD ANGLE PROJECTION	
	10 UNDER	± 0.2	DRAWN BY YMATSUMOTO	DATE 2014/01/24	TITLE MICRO SD CARD CONN. BAR-PUSH WITH TRAY EMBOSSED TAPE PACKAGE			
	10 OVER 30 UNDER	± 0.25	CHECKED BY SAKIYAMA	DATE 2014/01/24	MATERIAL NO. SEE SHEET 1			
	30 OVER	± 0.3	APPROVED BY NUKITA	DATE 2014/01/31	DOCUMENT NO. SD-504528-004			
ANGULAR ± 1 ° DRAFT WHERE APPLICABLE MUST REMAIN WITHIN DIMENSIONS		SIZE A3		SHEET NO. 2 OF 2				